

# Sunbeam®



P.N. 112200

MODELS / MODELOS

**2345, 2346, 2347, 2348, 2349**

Instruction Manual

**MIXMASTER® HERITAGE SERIES™ STAND MIXER**

**READ ALL INSTRUCTIONS BEFORE USING THIS APPLIANCE**

Manual de Instrucciones

**BATIDORA MIXMASTER® HERITAGE SERIES™**

**LEA TODAS LAS INSTRUCCIONES ANTES DE USAR ESTE APARATO**

# SAFETY

## THIS UNIT IS FOR HOUSEHOLD USE ONLY

The motor of your MixMaster® Heritage Series™ Mixer is protected by a heat cured insulation. This is a standard process. Due to the heat curing of the insulation, you may experience an odor and possibly a slight wisp of smoke from your mixer's motor. This effect will disappear after the first few uses.

## SPECIAL INSTRUCTIONS

### FOR PRODUCTS PURCHASED IN THE U.S. AND CANADA ONLY

To reduce the risk of electrical shock, this appliance is equipped with a 3-prong plug. If you are unable to insert the plug into the outlet, contact a qualified electrician to replace the obsolete outlet. Do not attempt to defeat the safety purpose of the 3-prong plug by modifying it in any way. Also, do not pull, twist or otherwise abuse the power cord; instead, grasp the plug and pull to remove from the outlet.

If the use of an extension cord is necessary, please follow these guidelines:

- Use only 3-wire extension cords which have 3-prong grounding-type plugs and 3-pole cord connectors that accept the plug from the mixer.
- Use only extension cords having an electrical rating not less than the rating of the mixer.
- Examine the extension cord before using and do not use if the extension cord is damaged.
- Do not abuse the extension cord and do not yank on any cord to disconnect.
- Keep extension cord away from heat and sharp edges.

**SAVE THESE INSTRUCTIONS**

# SAFETY

## THIS UNIT IS FOR HOUSEHOLD USE ONLY

The motor of your MixMaster® Heritage Series™ Mixer is protected by a heat cured insulation. This is a standard process. Due to the heat curing of the insulation, you may experience an odor and possibly a slight wisp of smoke from your mixer's motor. This effect will disappear after the first few uses.

## SPECIAL INSTRUCTIONS

### FOR PRODUCTS PURCHASED IN THE U.S. AND CANADA ONLY

To reduce the risk of electrical shock, this appliance is equipped with a 3-prong plug. If you are unable to insert the plug into the outlet, contact a qualified electrician to replace the obsolete outlet. Do not attempt to defeat the safety purpose of the 3-prong plug by modifying it in any way. Also, do not pull, twist or otherwise abuse the power cord; instead, grasp the plug and pull to remove from the outlet.

If the use of an extension cord is necessary, please follow these guidelines:

- Use only 3-wire extension cords which have 3-prong grounding-type plugs and 3-pole cord connectors that accept the plug from the mixer.
- Use only extension cords having an electrical rating not less than the rating of the mixer.
- Examine the extension cord before using and do not use if the extension cord is damaged.
- Do not abuse the extension cord and do not yank on any cord to disconnect.
- Keep extension cord away from heat and sharp edges.

**SAVE THESE INSTRUCTIONS**

---

# TABLE OF CONTENTS

Important Safeguards .....	2
Special Instructions .....	3
Table of Contents .....	4
Welcome .....	5
Features .....	5
Learning About Your Stand Mixer .....	6
The Role of the Dual-Motor 3-Way Beating Action .....	8
Preparing the Stand Mixer for Use .....	9
Raising and Lowering the Mixing Head .....	9
Installing the Attachments .....	9
Adjusting the Turntable .....	10
Preparation: Adding the Mixing Bowl .....	11
Operating Instructions: About the Speed Control Dial .....	11
Mixing Guide .....	12
Caring For Your Mixer .....	13
Cleaning Your Mixer .....	13
Storing Your Mixer .....	13
Maintenance .....	13
Helpful Hints .....	13
MixMaster® Heritage™ Series Recipes .....	14
Warranty Information .....	18
How to Obtain Warranty Service .....	18

# WELCOME

Congratulations! You are the owner of a SUNBEAM® MixMaster® Heritage Series™ Stand Mixer. Before you use this product for the first time, please take a few moments to read these instructions and keep it for reference. Pay particular attention to the Safety Instructions provided. Please review the product service and warranty statements. For your future reference, please note:

Date product received: \_\_\_\_\_

Model/Service number: \_\_\_\_\_

*(Located on the bottom of the stand mixer)*

## FEATURES

Thank you for choosing the SUNBEAM® MixMaster® Heritage Series™ stand mixer. For generations we have been helping families prepare mashed potatoes, moist cakes, light and fluffy meringue and chewy cookies. You can even make bread dough with your SUNBEAM® MixMaster® mixer.

The SUNBEAM® MixMaster® Heritage Series™ stand mixer offers you a range of 12 variable mixing speeds. The dual motor 3-way beating action has been designed to mix ingredients thoroughly and evenly.

You'll love being able to make so many things with your SUNBEAM® MixMaster®.

# LEARNING ABOUT YOUR STAND MIXER

## Attachment Eject Button

The eject button, located on the top of the handle releases the beaters, dough hooks or whisks for easy cleaning.

## Dual-Motor 3-Way Beating Action

Patent pending dual-motor design enables one motor to drive the beaters, each turning in opposite directions, and a second motor drives the bowl. This new technology results in more powerful and thorough mixing.

## Variable Bowl Speed

The bowl speed increases and decreases automatically as the beater speed is increased and decreased.

## Off-Center Head and Beaters

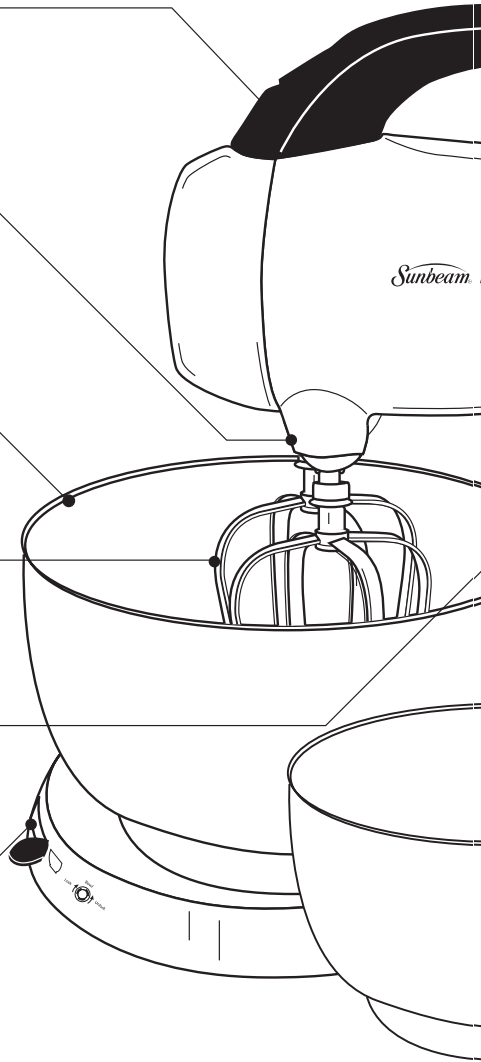
The head of the MixMaster® and beaters are positioned off-center to the bowl to make it easier to add ingredients during mixing.

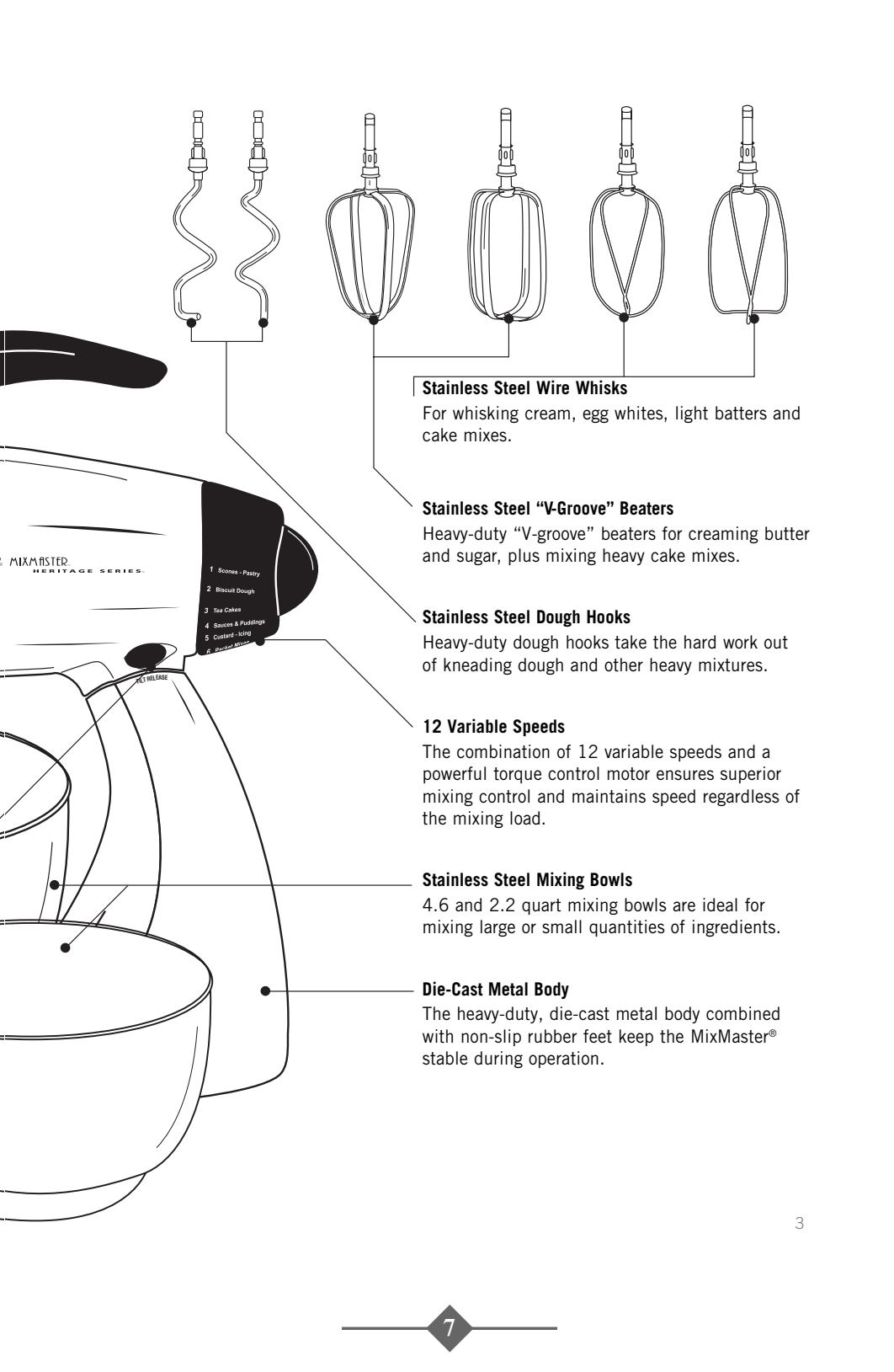
## Tilt Back Locking Head

The head of the MixMaster® tilts back and locks securely into position to allow easy removal of mixing bowls and attachments.

## Bowl Selector

Simply slide the bowl selector lever to the left when using the small bowl and to the right when using the large bowl.





**Stainless Steel Wire Whisks**

For whisking cream, egg whites, light batters and cake mixes.

**Stainless Steel "V-Groove" Beaters**

Heavy-duty "V-groove" beaters for creaming butter and sugar, plus mixing heavy cake mixes.

**Stainless Steel Dough Hooks**

Heavy-duty dough hooks take the hard work out of kneading dough and other heavy mixtures.

**12 Variable Speeds**

The combination of 12 variable speeds and a powerful torque control motor ensures superior mixing control and maintains speed regardless of the mixing load.

**Stainless Steel Mixing Bowls**

4.6 and 2.2 quart mixing bowls are ideal for mixing large or small quantities of ingredients.

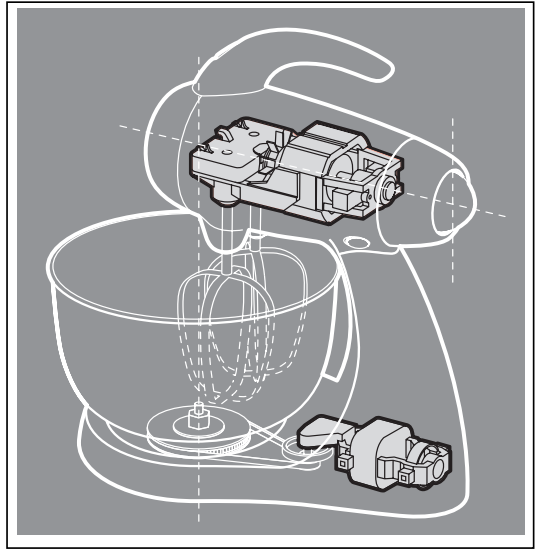
**Die-Cast Metal Body**

The heavy-duty, die-cast metal body combined with non-slip rubber feet keep the MixMaster® stable during operation.

## THE ROLE OF THE DUAL-MOTOR 3-WAY BEATING ACTION

Sunbeam launched its 3-way beating action in the 1930s which revolutionized mixing at the turn of a dial. The 3-way beating action is determined by each of the two beaters turning against each other, plus the bowl also rotating.

Our latest innovation of this historic 3-way beating action is the introduction of an additional motor. One motor is located in the head of the MixMaster®. This drives the individual beaters, each turning in opposite directions. The second motor is located in the base of the neck of the MixMaster® and drives the turntable, rotating the bowl against the direction of the outside beater. The speed of the bowl rotation is automatically calibrated to the mixing speed selected. Therefore as the mixing speed increases so does the speed of the bowl, and as the mixing speed is decreased, the bowl speed also slows. These actions combine to ensure more powerful and thorough mixing. This dual motor design is patent pending.



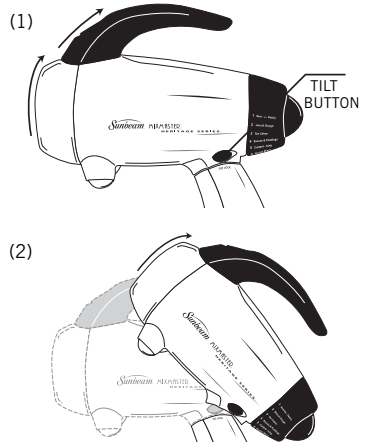


## PREPARING THE STAND MIXER FOR USE

Before preparing the mixer for use, be sure the speed control dial is in the OFF position and the electric cord is unplugged. Be sure to wash bowls and attachments before initial use.

## RAISING AND LOWERING THE MIXING HEAD

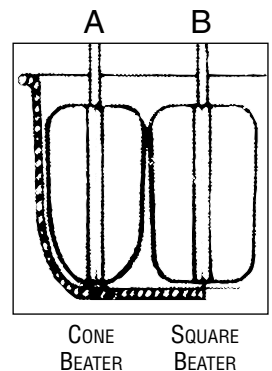
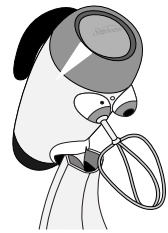
Press the tilt release button, located at the top of the neck of the MixMaster®. While the button is depressed, hold the handle (1) and ease the head of the MixMaster® back. The MixMaster® head will lock into this tilt position (2). To lower the mixing head press the tilt release button. While the button is depressed hold the handle (2) and ease the head of the MixMaster® down (1). A “click” sound will indicate when the mixer head has locked into position.



## INSTALLING THE ATTACHMENTS (BEATERS, WIRE WHISKS, OR DOUGH HOOKS)

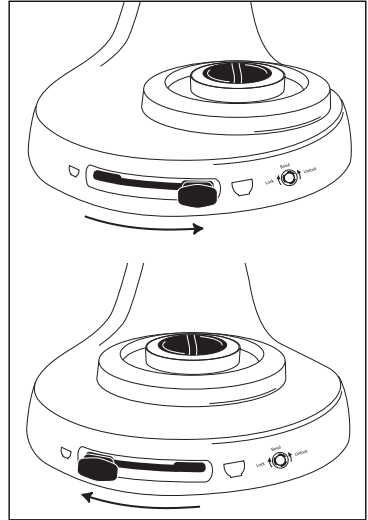
Select the pair of attachments best suited for your mixing job. (See *Mixing Guide on Page 12 for recommendations*). Take the attachment that has a red colored band around the top – illustrated as attachment (A). Insert attachment (A) into the socket on the side of the mixer nearest the side of the bowl. The socket is identified by a red dot beside it. Take the other attachment that has a white colored band around the top – illustrated as attachment (B). Insert attachment (B) into the socket nearest the center of the bowl.

**NOTE:** Be sure both attachments click firmly in place, you may need to twist the beater attachment slightly to engage it in position prior to pushing it in place.



# ADJUSTING THE TURNTABLE

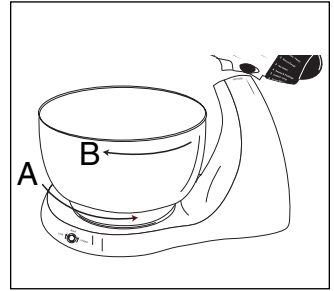
The turntable must be adjusted depending upon which bowl size is being used (see “Adding the Mixing Bowl”). To adjust, press down on the Turntable Bowl Selector Switch and slide switch to the proper icon.



# PREPARATION

## ADDING THE MIXING BOWL

Once you have selected the bowl you wish to use, move the turntable bowl selector switch to the proper setting — the large bowl icon if you are using the large bowl; the small bowl icon if you are using a small bowl. Gently rotate the bowl counterclockwise until it drops into position or is sitting flat (A). Then rotate the bowl clockwise to lock into position (B). The bowl should feel firm with no movement.



**NOTE:** Mixing bowls should NEVER be used in a conventional oven, microwave oven, on top of the range or on any other heated surface. If mixing bowls are scratched or chipped, do not use mixer.

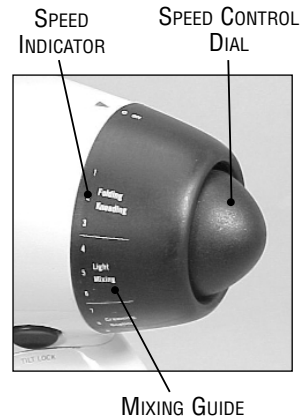
## OPERATING INSTRUCTIONS

### ABOUT THE SPEED CONTROL DIAL

The speed control dial is used for turning the mixer ON and OFF and for selecting its 12 mixing speeds. Rotate the speed control dial in a clockwise direction to increase mixing speed; and in a counterclockwise direction to decrease mixing speed.

As you rotate the speed control dial, notice that a numbered speed is aligned with the indicator on top of the mixer head. This numbered speed indicates the speed at which the mixer is operating.

Rotate the speed control dial until the indicator is opposite the numbered speed you wish to use.



## MIXING GUIDE

Please keep in mind that the various mixing tasks and related speeds, listed in the following table, may vary slightly from recipe to recipe.

For most recipes, it is better to begin your mixing on a slower speed until the ingredients begin combining, then move to the appropriate speed range for the particular task.

When mixing larger quantities you may need to increase the MixMaster® speed due to the amount of mixing required and the larger load on the machine.

When building up a recipe that requires the addition of dry ingredients, such as flour, slow the speed down while these ingredients are being added to avoid a snow storm effect. Once the extra ingredients begin combining then slowly increase to the appropriate speed for the particular mixing task.

<b>SPEED SETTING RANGE</b>	<b>MIXING TASK</b>	<b>RECOMMENDED ACCESSORY</b>
LOW 1-3	FOLDING & KNEADING Folding Kneading- Doughs <i>(pastry, bread, scones, etc.)</i>	Standard Beaters Dough Hooks
MEDIUM 4-6	LIGHT MIXING Kneading- Heavy Doughs <i>(large quantities)</i> Beating- Packaged Mixes Beating- creaming sugar and butter	Standard Beaters Dough Hooks
HIGH 7-9	CREAMING & BEATING Whisking- Light Batters Beating- Cake Mixes, Heavy Batters, Icings, etc.	Wire Whisks Standard Beaters
VERY HIGH 10-12	WHIPPING & AERATING Whisking- Egg Whites, Cream, etc.	Wire Whisks

# CARING FOR YOUR MIXER

## CLEANING YOUR MIXER

To clean the mixer, wipe the mixer head, stand and turntable with a damp cloth, then dry. **DO NOT IMMERSE THE STAND MIXER IN WATER.** Avoid the use of abrasive cleaners, as they may damage the finish of the mixer. Wash the beaters and bowls in hot, soapy water after each use. Rinse thoroughly and dry. Beaters and bowls may also be washed in an automatic dishwasher.

## STORING YOUR MIXER

Store the mixer in a dry location, such as on a countertop or table top, or in a closet or cupboard. Insert the beaters into the proper sockets. Place the dough hooks and other attachments in the mixing bowl.

Store the bowl(s) on the turntable. Wind the electric cord into a coil, then secure it with a twist fastener.

## MAINTENANCE

The motor of your stand mixer has been carefully lubricated at the factory and does not require any additional lubricant. Other than the recommended cleaning, no further user maintenance should be necessary.

For servicing or repairs please contact Consumer Services for assistance. *(1-800-458-8407 in the U.S. or 1-800-667-8623 in Canada)*

## HELPFUL HINTS

- When mixing liquids, especially hot liquid, use the large mixing bowl or make small quantities at a time to reduce spillage.
- Ingredients should be added to the mixing bowl as they are specified in the recipe.
- Use the mixing speed that is recommended in the recipe. Use the mixing guide on the speed control dial of the mixer to help you find the correct speed to use.
- If times are specified in the recipe, use them! **BE CAREFUL NOT TO OVERMIX.** Overmixing can cause the mixture to become very tough.
- Should an object, such as a spatula, fall into the bowl while the mixer is operating, turn the mixer OFF immediately, then, remove the object.
- For easier clean-up remove beaters and rinse immediately with warm water.

# MIXMASTER® HERITAGE™ SERIES RECIPES

## MAKE AHEAD MASHED POTATOES

- 3 pounds (1.5 kg) white potatoes (about 6 medium) peeled and cut in chunks
- 6 ounces (170 g) cream cheese cut in 1-inch (2.5 cm) cubes
- 1 cup (250 ml) sour cream
- 2 tablespoons (30 ml) butter or margarine

Cook potatoes in boiling water until tender. Drain. In large mixing bowl, beat potatoes until fluffy. Add remaining ingredients. Continue to mix until smooth. Put potatoes in a lightly greased 2-quart (2-liter) covered casserole dish. Refrigerate until ready to bake. Mashed Potato mixture may be stored up to 3 days before baking.

### To Bake

Preheat oven to 350°F (180°C). Dot potatoes with 1 tablespoon (15 ml) of butter or margarine. Cover and bake for 30 minutes or until heated through.

## YELLOW CAKE

- |                                       |                                        |
|---------------------------------------|----------------------------------------|
| 2-1/2 cups (625 ml) all-purpose flour | 2 eggs                                 |
| 1-1/2 cups (375 ml) sugar             | 1 cup (250 ml) milk                    |
| 1 tablespoon (15 ml) baking powder    | 1-1/2 teaspoons (7 ml) vanilla extract |
| 1/2 cup (125 ml) shortening           | 1 teaspoon (5 ml) salt                 |

Preheat oven to 375°F (190°C). Lightly grease and flour two 9-inch (23 cm) cake pans. Place all ingredients in large mixing bowl and beat on low speed. As dry ingredients begin to incorporate with wet ingredients, gradually increase speed. Beat at medium speed until smooth and fluffy. Pour batter into prepared pans. Bake 25-30 minutes or until toothpick inserted in center comes out clean. Cool and remove from pans.

Yield: 12-16 Servings

## HEAVENLY ANGEL FOOD CAKE

- |                                        |                                                                     |
|----------------------------------------|---------------------------------------------------------------------|
| 1 cup (250 ml) cake flour              | 3/4 cup (200 ml) sugar                                              |
| 1-1/2 teaspoons (7 ml) cream of tartar | 1 cup (250 ml) sugar                                                |
| 1 teaspoon (5 ml) vanilla extract      | 1/2 teaspoon (2 ml) almond extract                                  |
| 1/2 teaspoon (2 ml) salt               | 1-1/2 cups (375 ml) egg whites (11-12 eggs),<br>at room temperature |

Preheat oven to 375°F (190°C). Sift flour and 3/4 cup of sugar together; set aside. In large mixer bowl, beat egg whites, cream of tartar and salt at very high speed until foamy. Add remaining amount of sugar, 1 tablespoon (15 ml) at a time, beating at a very high speed until meringue holds

stiff peaks. Reduce mixer to a low speed and gently fold in flour-sugar mixture, 1/4 cup (50 ml) at a time over meringue, folding in gently just until flour-sugar mixture disappears. Add vanilla and almond extract with last addition of flour-sugar mixture. Do not over mix. Pour batter into ungreased 10x4-inch (25 x 11 cm) tube pan. Gently cut through batter with rubber spatula. Bake for 45-50 minutes or until top of cake springs back when touched lightly. Cracks on top should be dry. Invert cake over funnel and let cake cool completely before removing from pan.

Yield: 12 Servings

## ORANGE CAPPUCCINO CAKE

2 squares (1 ounce each) sweet baking chocolate	1/2 cup (125 ml) water
1 teaspoon (5 ml) baking soda	2 cups (500 ml) all-purpose flour
1 cup (250 ml) softened margarine or butter	1/4 (1.25 ml) teaspoon salt
1 teaspoon (5 ml) vanilla	2 cups (500 ml) sugar
1/4 cup (50 ml) orange cappuccino flavored instant coffee mix (dry)	4 eggs, separated
	1 cup (250 ml) buttermilk
	1-1/2 teaspoons (7 ml) grated orange peel

Preheat oven to 350°F (180°C). Lightly grease and flour two 9-inch (23 cm) cake pans. Heat chocolate and water over low heat, stirring frequently, until chocolate is melted. Stir in coffee mix and orange peel. Set aside allowing mixture to cool slightly. Sift flour, baking soda and salt together, set aside. In large mixing bowl, beat margarine and sugar on medium speed until fluffy. Beat in egg yolks, one at a time, beating well after each addition. Add chocolate mixture and vanilla. Mix in flour mixture, 1/2 cup at a time, alternately with buttermilk, beating until smooth after each addition. In the small mixing bowl, beat egg whites on high speed until stiff peaks form, fold into batter. Pour an even amount of batter into the 2 pans. Bake for 30 minutes or until top springs back when touched lightly. Let cool 12 minutes. Remove from pans to wire rack and cool completely. Fill layers and frost with orange cappuccino frosting. (*See Recipe Page 17*)

Yield: 12 Servings

## MOCHA CHEESECAKE

2 cups (500 ml) whipping cream	1/3 cup (75 ml) butter, softened
1/3 cup (75 ml) coffee flavored liqueur	2 teaspoons (10 ml) vanilla extract
2 cups (500 ml) semi-sweet chocolate morsels	2 packages (8 ounces each) cream cheese, softened

Melt chocolate in a double boiler or microwave oven. In the small mixing bowl, beat cream at a very high speed until soft peaks form, set aside. In the large mixing bowl, beat butter and cream cheese until smooth and creamy. Add coffee flavored liqueur, vanilla and melted chocolate. Fold whipped cream into chocolate mixture at a low speed. Pour into prepared crust. (*See Chocolate Cookie Crust Recipe Page 16*) Chill 8 hours.

Yield: 10-12 Servings

**For more recipes and information please visit us at [www.sunbeam.com](http://www.sunbeam.com)**

## CHOCOLATE COOKIE CRUST

1-1/2 cups (375 ml) chocolate cookies, finely crumbed

1/4 cup (50 ml) butter, melted

1/2 teaspoon (2 ml) cinnamon

Put all ingredients into small mixing bowl. Mix thoroughly. Pat mixture into bottom and sides of a 9-inch (23 cm) pie pan. Chill or bake 10 minutes at 350°F (180°C), let cool before filling.

Yield: One 9-inch (23 cm) Crust

## BUTTER CREAM FROSTING

3 cups (750 ml) powdered sugar

3-4 tablespoons (45-60 ml) milk

1/2 cup (125 ml) butter or margarine, softened

1 teaspoon (5 ml) vanilla extract

Put all ingredients into small mixing bowl. Mix at a low speed to combine ingredients. Increase speed to a medium speed; continue to mix until fluffy.

Yield: Frosts Two 8 or 9-inch (20 - 23 cm) Layers

## BITTERSWEET CHOCOLATE FROSTING

2 squares (1 ounce each) unsweetened

1/4 cup (50 ml) hot milk

chocolate, cut into small pieces

2 tablespoons (30 ml) butter

2 cups (500 ml) powdered sugar

1 teaspoon (5 ml) vanilla extract

Put all ingredients into small mixing bowl. Mix at a low speed to combine ingredients. Increase speed to a medium speed; continue to mix until smooth. If frosting is too thick, add a small amount of milk.

Yield: About 1 Cup (250 ml)

## CREAM CHEESE FROSTING

1 package (8 ounces) cream cheese, at room temperature

1-1/3 cups (325 ml) powdered sugar

1 tablespoon (15 ml) light cream or half-and-half

Put all ingredients into small mixing bowl. Mix at a low speed to combine ingredients. Increase speed to a high speed; continue to mix until smooth and of spreading consistency.

Yield: Frosts a 9 x 13-inch (23 - 33 cm) Cake



## ORANGE CAPPUCCINO FROSTING

1/2 cup (125 ml) margarine or butter	2 squares (1 ounce each) sweet baking chocolate
8 cups (2000 ml) powdered sugar	
1 tablespoon (15 ml) orange Cappuccino	1/4 cup (50 ml) milk
1/4 cup orange juice	

Melt chocolate and margarine over low heat, stirring frequently. Stir in coffee and set aside. Beat powdered sugar, milk, orange juice and chocolate mixture in large mixing bowl and beat on medium speed until light and fluffy.

## HOLIDAY SUGAR COOKIES

3/4 cup (200 ml) vegetable oil	1 cup (250 ml) sugar
2 eggs	1 teaspoon (5 ml) vanilla extract
3 cups (750 ml) all-purpose flour	2 teaspoons (10 ml) baking powder
1/4 teaspoon (1 ml) salt	

Preheat oven to 375°F (190°C). In large mixing bowl, beat oil and sugar on a medium speed until well blended. Add eggs and vanilla and beat until light in texture. Reduce speed and add flour, baking powder and salt. Mix on a low speed until ingredients incorporate. Cover and refrigerate dough until firm, at least 30 minutes. Divide dough in half. Roll out between 2 sheets of lightly floured waxed paper until 1/4 inch thick. Cut into cookies using any decorative shapes you like. Arrange 1 inch apart on a greased cookie sheet. Bake 12-15 minutes, until cookies are lightly browned around edges. Cool on wire rack.

Yield: 48 Cookies

## DOUBLE CHOCOLATE BROWNIES

1-3/4 cups (450 ml) all-purpose flour	4 eggs
2 teaspoons (10 ml) baking powder	1 cup (250 ml) vegetable oil
1 teaspoon (5 ml) salt	2 teaspoons (10 ml) vanilla extract
3/4 cup (200 ml) cocoa powder	1 cup (250 ml) semi sweet chocolate morsels
2-1/2 cups (625 ml) sugar	

Preheat oven to 350°F (180°C). Grease a 15-1/2 x 10-1/2 inch (39 x 27cm) jellyroll pan. In the large mixing bowl at a low speed, stir together the first 5 ingredients. Gradually add eggs, oil and vanilla. Increase mixer to a moderate speed. Mix until combined. Reduce speed to a low speed and stir in chocolate morsels. Spread into prepared pan and bake for 20-25 minutes. Do not overbake. Cool and cut into bars.

Yield: 24 Bars

**For more recipes and information please visit us at [www.sunbeam.com](http://www.sunbeam.com)**

---

## 2-YEAR LIMITED WARRANTY

Sunbeam Products, Inc, or if in Canada, Sunbeam Corporation (Canada) Limited (collectively "Sunbeam") warrants that for a period of two years from the date of purchase, this product will be free from defects in material and workmanship. Sunbeam, at its option, will repair or replace this product or any component of the product found to be defective during the warranty period. Replacement will be made with a new or remanufactured product or component. If the product is no longer available, replacement may be made with a similar product of equal or greater value. This is your exclusive warranty.

This warranty is valid for the original retail purchaser from the date of initial retail purchase and is not transferable. Keep the original sales receipt. Proof of purchase is required to obtain warranty performance. Sunbeam dealers, service centers, or retail stores selling Sunbeam products do not have the right to alter, modify or any way change the terms and conditions of this warranty.

This warranty does not cover normal wear of parts or damage resulting from any of the following: negligent use or misuse of the product, use on improper voltage or current, use contrary to the operating instructions, disassembly, repair or alteration by anyone other than Sunbeam or an authorized Sunbeam service center. Further, the warranty does not cover: Acts of God, such as fire, flood, hurricanes and tornadoes.

### What Are the Limits on Sunbeam's Liability?

Sunbeam shall not be liable for any incidental or consequential damages caused by the breach of any express, implied or statutory warranty or condition.

Except to the extent prohibited by applicable law, any implied warranty or condition of merchantability or fitness for a particular purpose is limited in duration to the duration of the above warranty.

Sunbeam disclaims all other warranties, conditions or representations, express, implied, statutory or otherwise.

Sunbeam shall not be liable for any damages of any kind resulting from the purchase, use or misuse of, or inability to use the product including incidental, special, consequential or similar damages or loss of profits, or for any breach of contract, fundamental or otherwise, or for any claim brought against purchaser by any other party.

Some provinces, states or jurisdictions do not allow the exclusion or limitation of incidental or consequential damages or limitations on how long an implied warranty lasts, so the above limitations or exclusion may not apply to you.

This warranty gives you specific legal rights, and you may also have other rights that vary from province to province, state to state or jurisdiction to jurisdiction.

### How to Obtain Warranty Service

In the U.S.A. –

If you have any question regarding this warranty or would like to obtain warranty service, please call 1.800.458.8407 and a convenient service center address will be provided to you.

In Canada –

If you have any question regarding this warranty or would like to obtain warranty service, please call 1.800.667.8623 and a convenient service center address will be provided to you.

In the U.S.A., this warranty is offered by Sunbeam Products, Inc., located in Boca Raton, Florida 33431.

In Canada, this warranty is offered by Sunbeam Corporation (Canada) Limited, located at 5975 Falbourne Street, Mississauga, Ontario L5R 3V8.

**PLEASE DO NOT RETURN THIS PRODUCT TO ANY OF THESE ADDRESSES OR TO THE PLACE OF PURCHASE.**

---



# PRECAUCIONES IMPORTANTES

Cuando use algún aparato eléctrico siempre deben seguirse las precauciones básicas de seguridad incluyendo las siguientes:

1. **LEA LAS INSTRUCCIONES ANTES DE USAR BATIDORA.**
2. Para protegerse contra peligros de electricidad no sumerja la batidora en agua u otros líquidos ya que podría ocasionar lesiones personales o daños al producto.
3. Es necesario contar con supervisión continua cuando la Batidora es usada o está cerca de niños o personas incapacitadas.
4. Desconecte la batidora del tomacorriente cuando el aparato no está en uso, antes de poner o quitar partes y antes de limpiarla.
5. Evite el contacto con las partes en movimiento. Mantenga las manos, cabello, ropa, así como también espátulas y otros utensilios lejos de los batidores durante el funcionamiento del aparato, para reducir el riesgo de lesiones personales o daños a la batidora.
6. No opere la batidora que tenga el cable o enchufe dañado, ni después de haber detectado un mal funcionamiento o si se cae o está dañada de modo alguno. Si la batidora está dañada, comuníquese con Servicios al Consumidor para solicitar asistencia. *(1-800-458-8407 en EE.UU. o 1-800-667-8623 en Canadá)*
7. El uso de accesorios no recomendados o vendidos por Sunbeam puede causar incendios, descargas eléctricas o lesiones.
8. No use la tostadora al aire libre o para propósitos comerciales
9. No deje el cable colgado sobre el borde de la mesa ni que toque superficies calientes, incluyendo el horno.
10. Quite los batidores de la batidora antes de lavarlos..
11. No coloque la batidora o el tazón sobre o cerca de quemadores de estufas de gas o de quemadores eléctricos, o dentro de un horno caliente.
12. No use la Batidora más que para lo que ha sido diseñada.
13. No opere la batidora sin continua supervisión.
14. La batidora tiene una seguridad interna que evita el sobrecalentamiento. Si la batidora deja de funcionar por sobrecalentamiento, lleve el disco de control de velocidades a la posición OFF y desenchufe la batidora. Espere 1 minuto y vuelva a enchufarla. No lo haga si la velocidad no ha sido seleccionada como OFF.
15. Nunca cargue el mezclador por el cordón.

# SEGURIDAD

## ESTA UNIDAD ES SÓLO PARA USO DOMÉSTICO

El motor de su Batidora MixMaster® Heritage Series™ está protegido por una aislación curada térmicamente. Se trata de un proceso estándar. Debido al curado térmico de la aislación, puede sentir un olor desagradable y, posiblemente, observar vestigios de humo del motor de la batidora. Este efecto desaparecerá después de los primeros usos.

## INSTRUCCIONES ESPECIALES

### PARA PRODUCTOS ADQUIRIDOS EN EE.UU. Y CANADÁ EXCLUSIVAMENTE

Para reducir el riesgo de descarga eléctrica, este electrodoméstico viene equipado con un enchufe de 3 patas. Si no puede insertarlo en el tomacorriente, comuníquese con un electricista calificado para cambiar el tomacorriente obsoleto. De ninguna manera intente modificar esta medida de seguridad del enchufe de tres patas. También, no tire, no tuerza ni abuse de otra manera del cable eléctrico; en lugar, agarre el enchufe y tire para quitar del enchufe.

Si es necesario usar un cable de extensión, siga las pautas que se indican a continuación:

- Use solamente cables de extensión de 3 conductores con enchufes a tierra de 3 patas y conectores de cables de 3 polos que acepten el enchufe de la batidora.
- Use solamente cables de extensión con una calificación eléctrica no inferior a la de la batidora.
- Examine el cable de extensión antes de usarlo y no lo use si está dañado.
- No abuse del cable de extensión ni lo arranque violentamente para desconectarlo.
- Mantenga el cable de extensión alejado de fuentes de calor y bordes filosos.

**GUARDE ESTAS INSTRUCCIONES**

---

# ÍNDICE

Precauciones Importantes . . . . .	20
Instrucciones Especiales . . . . .	21
Índice . . . . .	22
Bienvenidos . . . . .	23
Características . . . . .	23
Información Sobre Su Batidora . . . . .	24
Papel de la Acción de 3 Formas de Batido de Dos Motores . . . . .	26
Cómo Preparar la Batidora para Uso . . . . .	27
Cómo Subir y Bajar el Cabezal de Mezclado . . . . .	27
Cómo Colocar los Accesorios . . . . .	27
Cómo Ajustar la Plataforma Giratoria . . . . .	28
Preparación: Cómo Agregar el Tazón de Mezclado . . . . .	29
Acerca del Disco de Control de Velocidades . . . . .	29
Guía de Velocidades . . . . .	30
Cómo Cuidar Su Batidora . . . . .	31
Cómo Limpiar Su Batidora . . . . .	31
Dónde Guardar Su Batidora . . . . .	31
Mantenimiento . . . . .	31
Consejos Útiles . . . . .	31
Recetas de la MixMaster® Heritage Series™ . . . . .	32
Información Sobre la Garantía . . . . .	38
Cómo Obtener el Servicio de Garantía . . . . .	38

# BIENVENIDOS

¡Felicitaciones! Usted acaba de adquirir una Batidora MixMaster® Heritage Series™ de SUNBEAM®. Antes de usar este producto por primera vez, destine un momento para leer estas instrucciones y guárdelas para referencia. Preste especial atención a las Instrucciones de Seguridad provistas. Examine las declaraciones de servicio y garantía del producto. Para referencia futura, anote los siguientes datos.

Fecha de recepción del producto: \_\_\_\_\_

Número de Modelo/Servicio: \_\_\_\_\_

*(Localizado en la parte inferior de la batidora)*

## CARACTERÍSTICAS

Gracias por elegir la batidora MixMaster® Heritage Series™ de SUNBEAM®. Durante generaciones hemos estado ayudando a las familias a preparar puré de papas, tortas húmedas, merengue suave y esponjoso y galletitas crocantes. Incluso puede hacer masa de pan con la batidora MixMaster® de SUNBEAM®.

La batidora MixMaster® Heritage Series™ de SUNBEAM® le ofrece una serie de 12 velocidades máximas variables. La acción de 3 formas de batido del motor dual permite mezclar ingredientes completa y uniformemente.

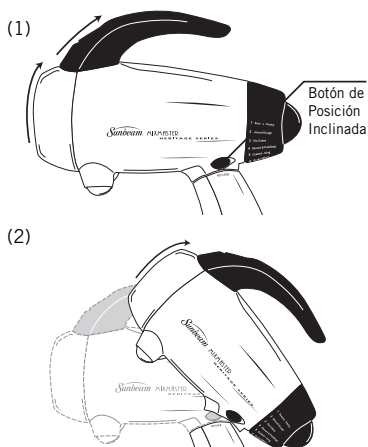
Le encantará poder hacer tantas cosas con la MixMaster® de SUNBEAM®.

## CÓMO PREPARAR LA BATIDORA POR PRIMERA VEZ

Antes de preparar la batidora por primera vez, asegúrese de que el disco de control de velocidades se encuentre en la posición OFF y que el electrodoméstico esté desenchufado. Asegúrese de lavar los recipientes y accesorios antes de usarlos por primera vez.

## CÓMO SUBIR Y BAJAR EL CABEZAL DE MEZCLADO

Pulse el botón de liberación de la posición inclinada, localizado en la parte superior del cuello de la MixMaster®. Con el botón pulsado, sostenga el asa (1) y tire hacia atrás el cabezal de la MixMaster® para que quede trabado en esta posición inclinada (2). Para bajar el cabezal de mezclado, pulse el botón de liberación de la posición inclinada. Con dicho botón pulsado, sostenga el asa (2) y baje el cabezal de la MixMaster® (1). Un clic indicará cuándo el cabezal queda fijado en posición.

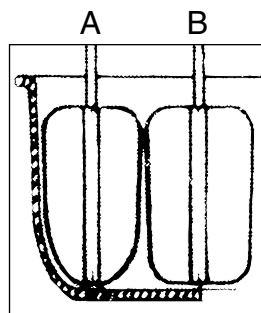
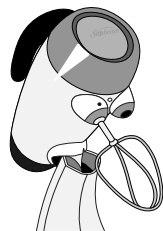


## CÓMO COLOCAR LOS ACCESORIOS

*(BATIDORES, ESCOBILLAS DE ALAMBRE O GANCHOS PARA AMASAR)*

Seleccione el par de accesorios que mejor se adecuó a su tarea de mezclado. *(Para recomendaciones, consulte la Guía de Mezclado, en la Página 30)*. Tome el accesorio que tenga una banda de color rojo en la parte superior – accesorio (A). Inserte el accesorio (A) en la ranura que se encuentra en la batidora, próximo al lado del tazón, identificado con un punto rojo próximo a él. Tome el otro accesorio que tiene una banda de color blanco alrededor de la parte superior – accesorio (B). Inserte el accesorio (B) en la ranura cercano al centro del tazón.

**NOTA:** Asegúrese de que ambos accesorios queden firmes en su lugar escuchando un clic. Probablemente necesite torcer el accesorio batidor levemente para que encaje en posición antes de empujarlo en su lugar.



BATIDOR CÓNICO      BATIDOR CUADRADO



# INFORMACIÓN SOBRE LA BATIDORA

## Botón de Expulsión

El botón de expulsión localizado en la parte superior del asa libera los batidores, ganchos para amasar o escobillas para una fácil limpieza.

## Acción de 3 Formas de Batido de Dos Motores

El diseño de dos motores pendiente de patente permite que un motor accione los batidores, cada uno en sentido opuesto, y un segundo motor acciona el tazón. Esta tecnología nueva produce un mezclado más potente y completo.

## Velocidad Variable del Tazón

La velocidad del tazón aumenta y disminuye automáticamente a medida que se incrementa o disminuye la velocidad de los batidores.

## Cabezal y Batidores Descentrados

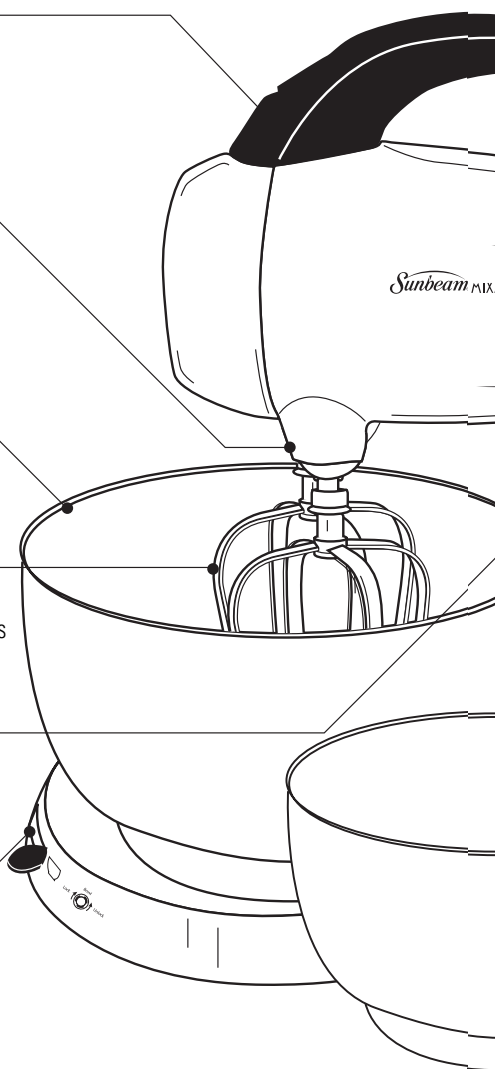
El cabezal de la MixMaster® y los batidores están descentrados respecto del tazón para facilitar el agregado de ingredientes durante el mezclado.

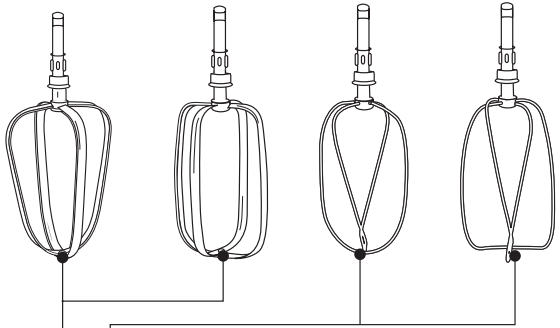
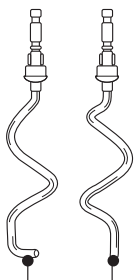
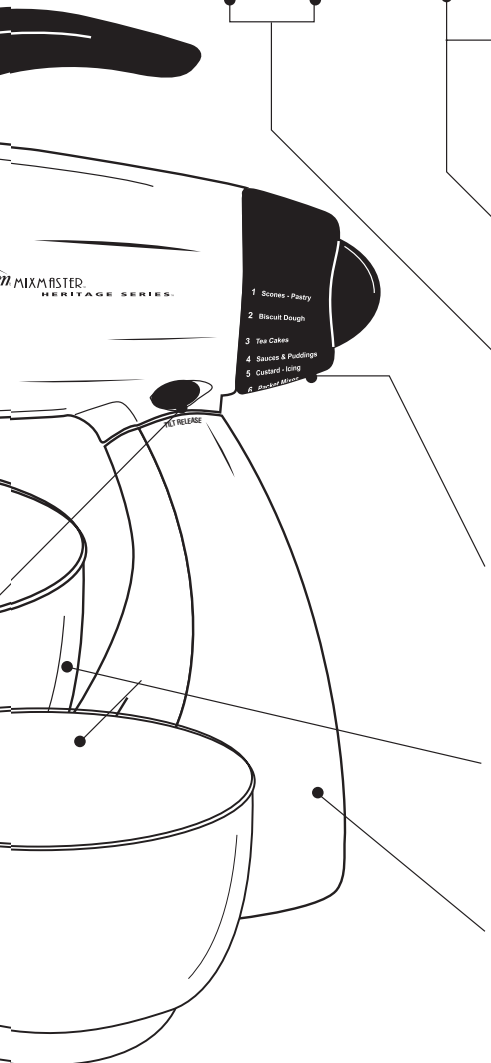
## Cabezal Fijo e Inclinado Hacia Atrás

El cabezal de la MixMaster® se inclina hacia atrás se fija firmemente en posición para un fácil retiro de los tazones y accesorios de mezclado.

## Selector de Tazones

Simplemente deslice hacia la izquierda la palanca selectora de tazón cuando use el tazón pequeño y hacia la derecha, para usar el grande.





**Escobillas de Alambre de Acero Inoxidable**

Para batir crema, yemas, pastas suaves y mezclas de bizcochuelo.

**Batidores en "V" de Acero Inoxidable**

Batidores en "V" de servicio pesado para batir mantequilla y azúcar a punto crema y para mezclas de bizcochuelo pesadas.

**Ganchos para Amasar de Acero Inoxidable**

Ganchos para amasar masa espesa que hacen por usted el trabajo de moldear masa y demás mezclas pesadas.

**12 Velocidades Variables**

La combinación de 12 velocidades variables y un potente motor de control de torque garantizan un control superior de mezclado y mantienen la velocidad, independientemente de la carga de la mezcla.

**Tazones de Mezclado de Acero Inoxidable**

Tazones de mezclado de 4,6 y 2,2 cuartos, que resultan ideales para mezclar grandes o pequeñas cantidades de ingredientes.

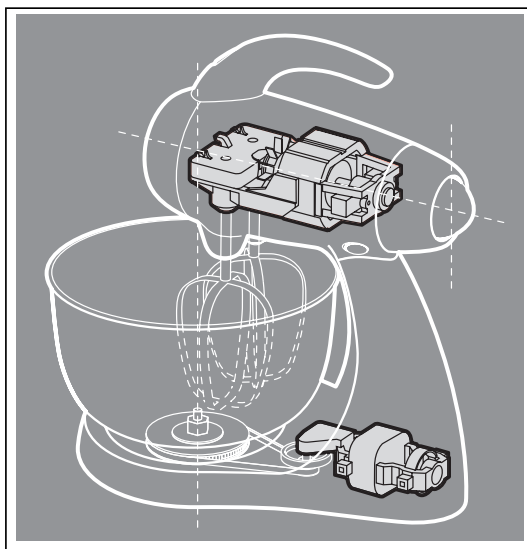
**Carcasa de Metal Fundido**

El cuerpo de metal fundido de servicio pesado, en combinación con las patas de goma antideslizantes, mantienen a la MixMaster® fija durante la operación.

## PAPEL DE LA ACCIÓN DE 3 FORMAS DE BATIDORA DE DOS MOTORES

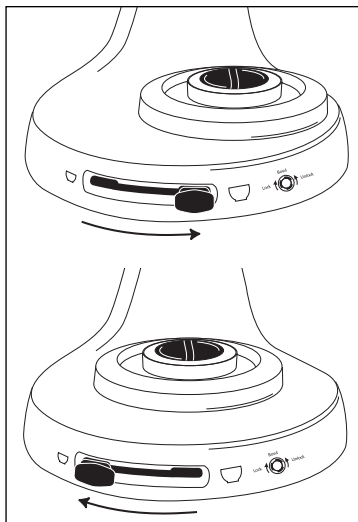
Sunbeam lanzó su acción de 3 formas de batido en la década del '30, con el cual revolucionó el proceso de mezclado con un simple movimiento del disco de control de velocidades. La acción de 3 formas de batido esta determinada por cada uno de los dos batidores, al girar uno contra el otro, además de la rotación del tazón.

Nuestra última innovación de esta acción de 3 formas de batido es la introducción de un motor adicional, localizado en el cabezal de la MixMaster®. Dicho motor acciona los batidores individuales, cada uno de los cuales gira en sentido opuesto. El segundo motor está localizado en la base del cuello de la MixMaster® y acciona la plataforma giratoria, haciendo girar el tazón en sentido opuesto al del batidor exterior. La velocidad de rotación del tazón está automáticamente calibrada a la velocidad de mezclado seleccionada. Por lo tanto, a medida que aumenta la velocidad de mezclado, se incrementa la del tazón y, a medida que disminuye la velocidad de mezclado, también se reduce la del tazón. Estas acciones se combinan para garantizar un mezclado más potente y completo. El diseño de dos motores tiene la patente pendiente.



## CÓMO AJUSTAR LA PLATAFORMA GIRATORIA

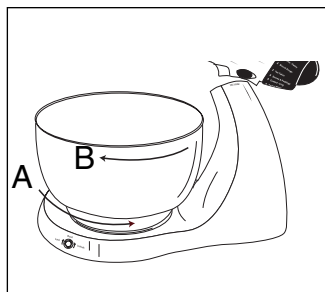
La plataforma giratoria debe ajustarse, dependiendo del tamaño del tazón que se use (*Consulte "Cómo Agregar el Tazón de Mezclado"*). Para efectuar el ajuste, deslice hacia abajo el Selector de Tazón de la Plataforma Giratoria hasta el ícono correspondiente.



# PREPARACIÓN

## CÓMO AGREGAR EL TAZÓN DE MEZCLADO

Una vez seleccionado el tazón que desee usar, mueva el interruptor selector de tazón de la plataforma giratoria hasta la posición deseada – el ícono de tazón grande si desea usar un tazón grande; el ícono de tazón pequeño si usa un tazón pequeño. Haga girar suavemente el tazón en sentido contrario de las agujas del reloj hasta que encaje en posición o quede plano (A). Después, hágalo girar en sentido de las agujas del reloj para trabarlo en posición (B). El tazón debe quedar firme sin movimientos.



**NOTA:** JAMÁS use los tazones de mezclado en un horno convencional, horno a microondas, sobre el hornillo o cualquier otra superficie caliente. No use la batidora con tazones de mezclado astillados o rasgados.

## INSTRUCCIONES OPERATIVAS

### ACERCA DEL DIAL DE CONTROL DE VELOCIDADES

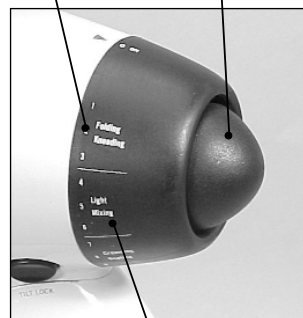
El disco de control de velocidades se utiliza para encender (ON) y apagar (OFF) la batidora y para seleccionar las 12 velocidades de mezclado.

Haga girar el disco de control de velocidades en sentido de las agujas del reloj para aumentar la velocidad de mezclado y en sentido contrario de las arujas del reloj para disminuirla.

A medida que gire el disco de control de velocidades, observará que un valor de velocidad queda alineado con el indicador que se encuentra sobre el cabezal de mezclado. Este valor indica la velocidad a la cual opera la batidora.

Gire el disco de control de velocidades hasta que el indicador quede opuesto al valor de velocidad que desee usar.

INDICADOR DE VELOCIDAD      DISCO DE CONTROL DE VELOCIDADES



GUÍA DE MEZCLADO

## GUÍA DE MEZCLADO

Tenga en cuenta que las diversas tareas de mezclado y velocidades relacionadas listadas en la siguiente tabla pueden variar levemente de una receta a otra.

Para la mayoría de las recetas, es mejor comenzar su proceso de mezclado a una velocidad más lenta hasta que los ingredientes comiencen a unirse; después, migrar al rango de velocidad adecuada según la tarea específica.

Al mezclar grandes cantidades, puede ser necesario aumentar la velocidad de la MixMaster® debido a la cantidad de mezclado requerida y a la mayor carga en la máquina.

Al preparar una receta que requiera del agregado de ingredientes secos tales como harina, reduzca la velocidad mientras vaya incorporando dichos ingredientes para evitar un efecto de tormenta de nieve. Una vez que los ingredientes adicionales comiencen a unirse, vaya aumentando lentamente la velocidad hasta alcanzar la deseada para la tarea de mezclado específica.

<b>RANGO DE POSICIONES DE VELOCIDADES</b>	<b>ACCESORIO TAREA DE MEZCLADO</b>	<b>RECOMENDADO</b>
BAJO 1-3	PLEGAR Y MOLDEAR Plegar Moldear – Masas <i>(pastelería, pan, scones, etc.)</i>	Batidores Estándar Ganchos para Amasar
MEDIO 4-6	MEZCLADO SUAVE Moldear – Masas Pesadas <i>(grandes cantidades)</i> Batido- Mezclas Envasadas Batido- Azúcar y mantequilla a punto crema	Batidores Estándar Ganchos para Amasar
ALTO 7-9	CREMAS Y BATIDOS Batido con Escobillas – Pastas Livianas Batido – Bizcochuelos de Tortas, Pastas Pesadas, Hielo, etc.	Escobillas de Alambre Batidores Estándar
MUY ALTO 10-12	BATIDO ENÉRGICO Y AIREADO Batido con Escobillas – Claras de Huevo, Crema, etc.	Escobillas de Alambre

# CÓMO CUIDAR SU BATIDORA

## CÓMO LIMPIAR SU BATIDORA

Limpie el cabezal de la batidora, la base y la plataforma giratoria con un paño húmedo; después, séquelos. **NO SUMERJA LA BATIDORA EN AGUA.** Evite el uso de limpiadores abrasivos porque pueden dañar el acabado de la batidora. Lave los batidores y tazones en agua caliente y jabonosa después de cada uso. Enjuague bien y deje secar. También puede lavarlos en el lavaplatos.

## DÓNDE GUARDAR LA BATIDORA

Guarde la batidora en un lugar seco, como por ejemplo sobre la mesa o superficie de trabajo, en un gabinete. Inserte los batidores en los receptáculos correspondientes. Coloque los ganchos para amasar y demás accesorios en el tazón de mezclado.

Guarde el(los) tazón(tazones) en la superficie giratoria. Enrolle el cable eléctrico en una bobina; después, fíjelo al portacables.

## MANTENIMIENTO

El motor de su batidora ha sido cuidadosamente lubricado en la fábrica y no necesita lubricación adicional. No es necesario realizar ninguna tarea de mantenimiento además de la limpieza recomendada.

Si necesita servicio técnico o reparaciones, comuníquese con Servicios al Consumidor para recibir asistencia. *(1-800-458-8407 en EE.UU. o 1-800-667-8623 en Canadá)*

## CONSEJOS ÚTILES

- Al mezclar líquidos, especialmente calientes, utilice el tazón de fuente que se mezcla grande o hace cantidades pequeñas a la vez para reducir derramamiento.
- Debe agregar los ingredientes al tazón de mezclado según lo especificado en la receta.
- Use la velocidad de mezclado recomendada en la receta. Utilice la guía de mezclado del dial de control de velocidades de la batidora para ayudarlo a encontrar la velocidad correcta.
- Si se especifican tiempos en la receta, ¡úselos! **TENGA CUIDADO DE NO MEZCLAR EN EXCESO**, pues podría endurecer la mezcla.
- En caso de que un objeto, como por ejemplo una espátula, caiga en el tazón con la batidora en funcionamiento, apague ésta de inmediato para retirar el objeto.
- Para una limpieza más fácil, retire los batidores y enjuáguelos inmediatamente con agua tibia.

# RECETAS DE LA MIXMASTER® HERITAGE SERIES™

## PURÉ DE PAPAS PREPARADO POR ADELANTADO

- 3 libras (1,5 kg) de papas blancas (cerca de 6, medianas) peladas y cortadas en trozos grandes
- 6 onzas (170 g) de queso crema en cubos de 1 pulgada (2,5 cm)
- 1 taza (250 ml) de crema agria
- 2 Cu. (30 ml) de mantequilla o margarina

Cocine las papas en agua hirviendo hasta que estén tiernas. Extraiga el agua. En el tazón de mezclador grande, bata las papas hasta que queden esponjosas. Agregue los ingredientes restantes. Continúe mezclando hasta que queden suaves. Coloque las papas en una plato engrasado con tapa para hornear de 2 cuartos (2 litros). Póngalo en la heladera hasta que esté listo para hornear. La mezcla de Puré de Papas puede guardarse hasta 3 días antes de hornearla.

### Para Hornear

Precalente el horno a 350°F (180°C). Pique las papas con 1 Cu. (15 ml) de mantequilla o margarina. Tape y hornee durante 30 minutos o hasta que se hayan calentado.

## TORTA AMARILLA

- 2-1/2 tazas (625 ml) de harina común 2 huevos
- 1-1/2 tazas (375 ml) de azúcar 1 taza (250 ml) de leche
- 1 Cu. (15 ml) de polvo de hornear 1-1/2 cta. (7 ml) de esencia de vainilla
- 1/2 taza (125 ml) manteca para freír 1 cta. (5 ml) de sal

Precalente el horno a 375°F (190°C). Engrase suavemente y enharine dos moldes para tortas de 9 pulg. (23 cm). Coloque todos los ingredientes en el tazón de mezclador grande y bata a poca velocidad. A medida que los ingredientes secos se vayan incorporando con los húmedos, aumente la velocidad gradualmente. Bata a velocidad media hasta obtener una mezcla suave y esponjosa. Vierta la pasta en los moldes preparados. Hornee de 25 a 30 minutos o hasta que el escarbidentes insertado en el centro salga limpio. Deje enfriar y desmolde.

Rinde de 12 a 16 Porciones



## TORTA ÁNGEL CELESTIAL

1 taza (250 ml) de harina para tortas	3/4 taza (200 ml) de azúcar
1-1/2 cuta. (7 ml) de cremor tártaro	1 taza (250 ml) de azúcar
1 cuta. (5 ml) de esencia de vainilla	1/2 cuta. (2 ml) de extracto de almendra
1/2 cuta. (2 ml) de sal	1-1/2 tazas (375 ml) de claras de huevo (11-12 huevos), a temperatura ambiente

Precalente el horno a 375°F (190°C). Tamice la harina y 3/4 de taza de azúcar; coloque aparte. En el tazón de mezclador grande bata las claras de huevo, el cremor tártaro y la sal a muy alta velocidad hasta obtener una mezcla espumosa. Agregue la cantidad de azúcar restante, de a 1 Cu. (15 ml) por vez, batiendo a muy alta velocidad hasta que el merengue forme picos duros. Reduzca la velocidad de la batidora y vierta suavemente en pliegues la mezcla de harina y azúcar, de a 1/4 taza (50 ml) por vez, sobre el merengue hasta que desaparezca. Agregue la vainilla y el extracto de almendras con el último agregado de la mezcla de harina y azúcar. No mezcle en exceso. Vierta la pasta en una budinera sin engrase de 10 x 4 pulg. (25 x 11 cm). Suavemente haga cortes en la pasta con una espátula de goma. Hornee de 45 a 50 minutos o hasta que la superficie de la torta se contraiga al tacto suave. Las grietas de la superficie deben estar secas. Invierta la torta sobre el molde y deje secar completamente antes de desmoldar.

Rinde 12 Porciones

## TORTA CAPUCHINO DE NARANJA

2 cuadrados (1 onza, cada uno) de chocolate dulce para hornear	1/2 taza (125 ml) de agua
1 cuta. (5 ml) bicarbonato de soda	2 tazas (500 ml) de harina común
1 taza (250 ml) de margarina o mantequilla blanda	1/4 (1.25 ml) de cuta. de sal
1 cuta. (5 ml) de vainilla	2 tazas (500 ml) de azúcar
1/4 taza (50 ml) mezcla de café instantáneo capuchino con sabor a naranja	4 huevos, separados
	1 taza (250 ml) de leche cortada
	1-1/2 cuta. (7 ml) de cáscara de naranja (seca)

Precalente el horno a 350°F (180°C). Engrase suavemente y enharine dos moldes para torta de 9 pulg. (23 cm). Caliente el chocolate y el agua a calor bajo, revolviendo frecuentemente hasta que el chocolate se derrita. Revuelva la mezcla de café y cáscara de naranja. Deje aparte para permitir que la mezcla se enfríe levemente. Mezcle la harina, bicarbonato de sodio y sal; aparte la mezcla. En el tazón de mezclador grande, bata margarina y azúcar a velocidad media hasta obtener una mezcla esponjosa. Incorpore las yemas de huevo, de a una por vez, batiendo bien después de cada agregado.

Agregue la mezcla de chocolate y vainilla. Incorpore a la mezcla la harina, de a 1/2 taza por vez, alternativamente con la leche cortada, batiendo hasta obtener una mezcla suave después de cada agregado. En el tazón de mezclado pequeño, bata las claras de huevo a alta velocidad hasta que se formen picos duros, vierta por pliegues en la pasta. Vierta una cantidad uniforme de pasta en los 2 moldes. Hornee durante 30 minutos o hasta que se comprima la parte superior al tacto suave. Deje enfriar 12 minutos. Desmolde en una rejilla y deje secar completamente. Llene las capas y espolvoree con escarchado de capuchino naranja (Ver Receta, Página 17).

Rinde 12 Porciones

## **TORTA DE QUESO MOCA**

2 tazas (500 ml) de crema batida enérgicamente

1/3 taza (75 ml) de mantequilla blanda

1/3 taza (75 ml) licor de café

2 cuta. (10 ml) de esencia de vainilla

2 tazas (500 ml) de trozos de chocolate semiamargo

2 paquetes (8 onzas c/u) de queso crema, bland

Derrita el chocolate en un horno microondas o hervidor doble. En el tazón de mezclado pequeño, bata la crema a muy alta velocidad hasta que se formen picos suaves, deje aparte. En el tazón de mezclado grande, bata la mantequilla y el queso crema hasta obtener una mezcla suave y cremosa. Agregue el licor de café, la vainilla y el chocolate derretido. Vierta en pliegues la crema batida enérgicamente en la mezcla de chocolate, a baja velocidad. Vierta en la corteza (*Ver la Receta de Corteza de Galletitas de Chocolate, Página 16*). Enfríe durante 8 horas.

Rinde de 10 a 12 Porciones

## **CORTEZA DE GALLETITAS DE CHOCOLATE**

1-1/2 tazas (375 ml) de galletitas de chocolate, finamente procesadas

1/4 taza (50 ml) de mantequilla derretida

1/2 cuta. (2 ml) de canela

Coloque todos los ingredientes en el tazón de mezclado pequeño. Mezcle bien. Golpee la mezcla contra el fondo y lados de una budinera de 9 pulg. (23 cm). Enfríe u hornee 10 minutos a 350°F (180°C); deje enfriar antes de rellenar.

Rinde una Corteza de 9 Pulg. (23 cm)

## CUBIERTA DE CAPUCHINO DE NARANJA

1/2 taza (125 ml) de margarina o mantequilla	2 barras (1 onza cada uno)
8 tazas (2000 ml) de azúcar impalpable	de chocolate dulce para hornear
1 Cu. (15 ml) de café	1/4 taza (50 ml) de leche
capuchino con sabor a naranja	1/4 taza de jugo de naranja

Derrita el chocolate y la margarina a calor bajo, revolviendo frecuentemente. Revuelva en el café y deje aparte. Bata la mezcla de azúcar impalpable, leche, jugo de naranja y chocolate en el tazón de mezclador grande y bata a velocidad media hasta que quede suave y esponjoso.

## GALLETITAS AZUCARADAS PARA VACACIONES

- 3/4 taza (200 ml) de aceite vegetal
- 1 taza (250 ml) de azúcar
- 2 huevos
- 1 cuta. (5 ml) de esencia de vainilla
- 3 tazas (750 ml) de harina común
- 2 cuta. (10 ml) de polvo de hornear
- 1/4 cuta. (1 ml) de sal

Pre caliente el horno a 375°F (190°C). En el tazón de mezclador grande, bata el aceite y el azúcar a velocidad media hasta que quede bien mezclado. Agregue los huevos y la vainilla y bata hasta obtener una mezcla de textura suave. Reduzca la velocidad y agregue la harina, el polvo de hornear y la sal. Mezcle a poca velocidad hasta que se hayan incorporado los ingredientes. Tape y ponga en heladera la masa hasta que quede firme, por lo menos 30 minutos. Divida la masa por la mitad. Enrolle entre 2 láminas de papel manteca levemente enharinado hasta obtener un espesor de 1/4 de pulg. Corte en galletitas de las formas decorativas que desee. Coloque las galletitas a una separación de 1 pulgada sobre una placa engrasada. Hornee de 12 a 15 minutos hasta que las galletitas estén levemente doradas en los bordes. Enfríe en una rejilla.

Rinde 48 Galletitas

## **CUBIERTA DE CREMA DE MANTEQUILLA**

- 3 tazas (750 ml) de azúcar impalpable
- 3-4 Cu. (45-60 ml) de leche
- 1/2 taza (125 ml) de mantequilla o margarina
- 1 cuta. (5 ml) de esencia de vainilla blanda

Coloque todos los ingredientes en el tazón de mezclado pequeño. Mezcle a poca velocidad para unir los ingredientes. Aumente la velocidad hasta media; continúe mezclando hasta obtener una pasta esponjosa.

Rinde para Dos Cubiertas de dos Capas de 8 a 9 pulg. (20-23 cm)

## **CUBIERTA DE CHOCOLATE AMARGO-DULCE**

- 2 cuadrados (1 onza cada uno) de chocolate dulce en pequeños trozos
- 2 tazas (500 ml) de azúcar impalpable
- 1/4 taza (50 ml) de leche caliente
- 2 Cu. (30 ml) de mantequilla
- 1 cuta. (5 ml) de esencia de vainilla

Coloque todos los ingredientes en el tazón de mezclado pequeño. Mezcle a poca velocidad para unir los ingredientes. Aumente la velocidad hasta media; continúe mezclando hasta obtener una pasta suave. Si la cubierta es demasiado espesa, agregue un poco de leche.

Rinde Aproximadamente 1 Taza (250 ml)

## **CUBIERTA DE QUESO CREMA**

- 1 paquete (8 onzas) de queso crema, a temperatura ambiente
- 1 1/3 tazas (325 ml) de azúcar impalpable
- 1 Cu. (15 ml) de crema suave o mitad y mitad

Coloque todos los ingredientes en el tazón de mezclado pequeño. Mezcle a poca velocidad para unir los ingredientes. Aumente la velocidad hasta alta; continúe mezclando hasta obtener una pasta suave y consistente.

Rinde para una Cubierta de Torta de 13 x 9 pulg. (33-23 cm)

# GARANTÍA LIMITADA DE 2 AÑOS

Sunbeam Products, Inc., o si en Canadá, Sunbeam Corporation (Canadá) Limited (colectivamente "Sunbeam") garantiza que este producto estará libre de defectos en material o mano de obra por un período de dos años a partir de la fecha de la compra. Sunbeam, a su elección, reparará o reemplazará este producto o cualquier componente del producto que se encuentre defectuoso durante el período de garantía. El reemplazo será efectuado por un producto o componente nuevo o remanufacturado. Si el producto ya no está disponible, el reemplazo podrá efectuado con un producto similar de igual o mayor valor. Esta es su garantía exclusiva.

Esta garantía es válida para el comprador original al detalle desde la fecha de compra original al detalle y no es transferible. Guarde el recibo de venta original. Se requiere prueba de compra para obtener la garantía. Los concesionarios Sunbeam, centros de servicio, o almacenes de ventas al detalle de productos Sunbeam no tienen el derecho de alterar, modificar o cambiar, de manera alguna, los términos y condiciones de esta garantía.

Esta garantía no cubre el desgaste normal de las piezas o daños resultantes de cualquiera de los siguientes: uso negligente o mal uso del producto, uso en voltaje o corriente inapropiada, uso contrario a las instrucciones de operación, desarme, reparación o alteración por cualquier persona que no sea Sunbeam o de un centro de servicio autorizado Sunbeam. Además, esta garantía no cubre: Actos de la naturaleza, tales como incendios, inundaciones, huracanes o tornados.

## ¿Cuales Son los Límites de Responsabilidad de Sunbeam?

Sunbeam no será responsable por ningún daño incidental o consecuente causados por el incumplimiento de la garantía o condición expresa, implícita o reglamentaria.

Excepto hasta donde lo prohíben las leyes aplicables, cualquier garantía implícita o condición de comerciabilidad o aptitud para un propósito particular, está limitada en duración a la duración de la garantía descrita arriba.

Sunbeam niega cualquier otra garantía, condición o representación, expresa, implícita, reglamentaria o de otra manera.

Sunbeam no será responsable por ningún tipo de daño que resulte de la compra, uso o mal uso, o inhabilidad de usar el producto incluyendo daños incidentales, especiales, consecuentes o similares o pérdida de lucro, o por cualquier incumplimiento de contrato, fundamental o de otra manera, o por cualquier reclamo contra el comprador iniciado por cualquier otra tercera persona.

Algunas provincias, estados o jurisdicciones no permiten la exclusión o la limitación de daños incidentales o consecuentes, o limitaciones sobre cuanto dura una garantía implícita, de modo que las limitaciones o exclusiones mencionadas arriba pueda que no le aplique a usted.

Esta garantía le otorga derechos legales específicos, y pueda que usted tenga otros derechos, los cuales varían de provincia a provincia, de estado a estado o de jurisdicción a jurisdicción.

## Cómo Obtener Servicio de Garantía

En los Estados Unidos –

Si usted tiene alguna pregunta relacionada con esta garantía o quisiera obtener servicio de garantía, por favor llame al teléfono 800.458.8407 y le proporcionaremos la dirección del centro de servicio más conveniente para usted.

En Canadá –

Si usted tiene alguna pregunta relacionada con esta garantía o quisiera obtener servicio de garantía, por favor llame al teléfono 800.458.8407 y le proporcionaremos la dirección del centro de servicio más conveniente para usted.

En los Estados Unidos, esta garantía es ofrecida por Sunbeam Products, Inc., situada en Boca Ratón, Florida 33431.

En Canadá, esta garantía es ofrecida por Sunbeam Corporation (Canadá) Limited, situada en el 5975 Falbourne Street, Mississauga, Ontario L5R 3V8.

**POR FAVOR, NO RETORNE ESTE PRODUCTO A NINGUNA DE ESTAS DIRECCIONES NI AL LUGAR DONDE LO COMPRÓ.**

## **BROWNIES DOBLES DE CHOCOLATE**

1-3/4 tazas (450 ml) de harina común

4 huevos

2 cuta. (10 ml) de polvo de hornear

1 taza (250 ml) de aceite vegetal

1 cuta. (5 ml) de sal

2 cuta. (10 ml) de esencia de vainilla

3/4 taza (200 ml) de polvo de cacao

1 taza (250 ml) de trozos de chocolate semidulce

2-1/2 tazas (625 ml) de azúcar

Pre caliente el horno a 350°F (180°C). Engrase una placa de pionono de 15-1/2 x 10-1/2 pulg. (39 x 27 cm). En el tazón de mezclado grande y a poca velocidad, mezcle y revuelva los primeros 5 ingredientes. Gradualmente agregue los huevos, el aceite y la vainilla. Aumente la velocidad de la batidora a moderada. Mezcle hasta unir. Reduzca la velocidad hasta poca y revuelva en los trozos de chocolate. Distribuya en la bandeja preparada y hornee durante 20 a 25 minutos. No cocine en exceso. Deje enfriar y corte en barras.

Rinde 24 Barras

**Para más recetas e información, visítenos en [www.sunbeam.com](http://www.sunbeam.com)**

---

## MÁS RECETAS



**DO NOT RETURN THIS PRODUCT TO THE PLACE OF PURCHASE**

For product questions:  
1.800.458.8407  
[www.sunbeam.com](http://www.sunbeam.com)

© 2003 Sunbeam Products, Inc. All rights reserved.

SUNBEAM® and MIXMASTER® are registered trademarks of Sunbeam Products, Inc.

Heritage Series™ is a trademark of Sunbeam Products, Inc.

The product you buy may differ slightly from the one shown in this instruction manual due to continuing product development.

Distributed by Sunbeam Products, Inc., Boca Raton, Florida 33431

---

**NO RETORNE ESTE PRODUCTO AL LUGAR DONDE LO COMPRÓ**

Para preguntas del producto:  
1.800.458.8407  
[www.sunbeam.com](http://www.sunbeam.com)

© 2003 Sunbeam Products, Inc. Todos los derechos reservados.

SUNBEAM® y MIXMASTER® son marcas registradas de Sunbeam Products, Inc.

Heritage Series™ es una marca comercial de Sunbeam Products, Inc.

El producto que Ud. compró puede variar ligeramente del que se muestra en esta manual de instrucciones debido a continuo desarrollo del producto.

Distribuido por Sunbeam Products, Inc., Boca Raton, Florida 33431