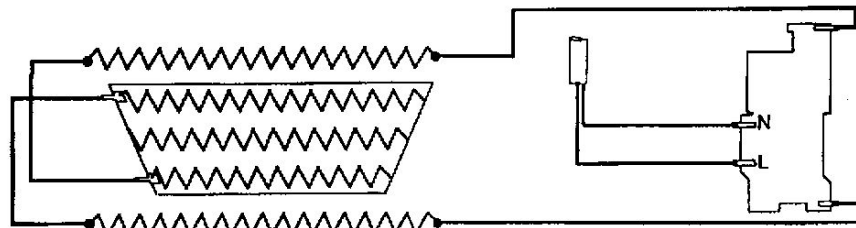
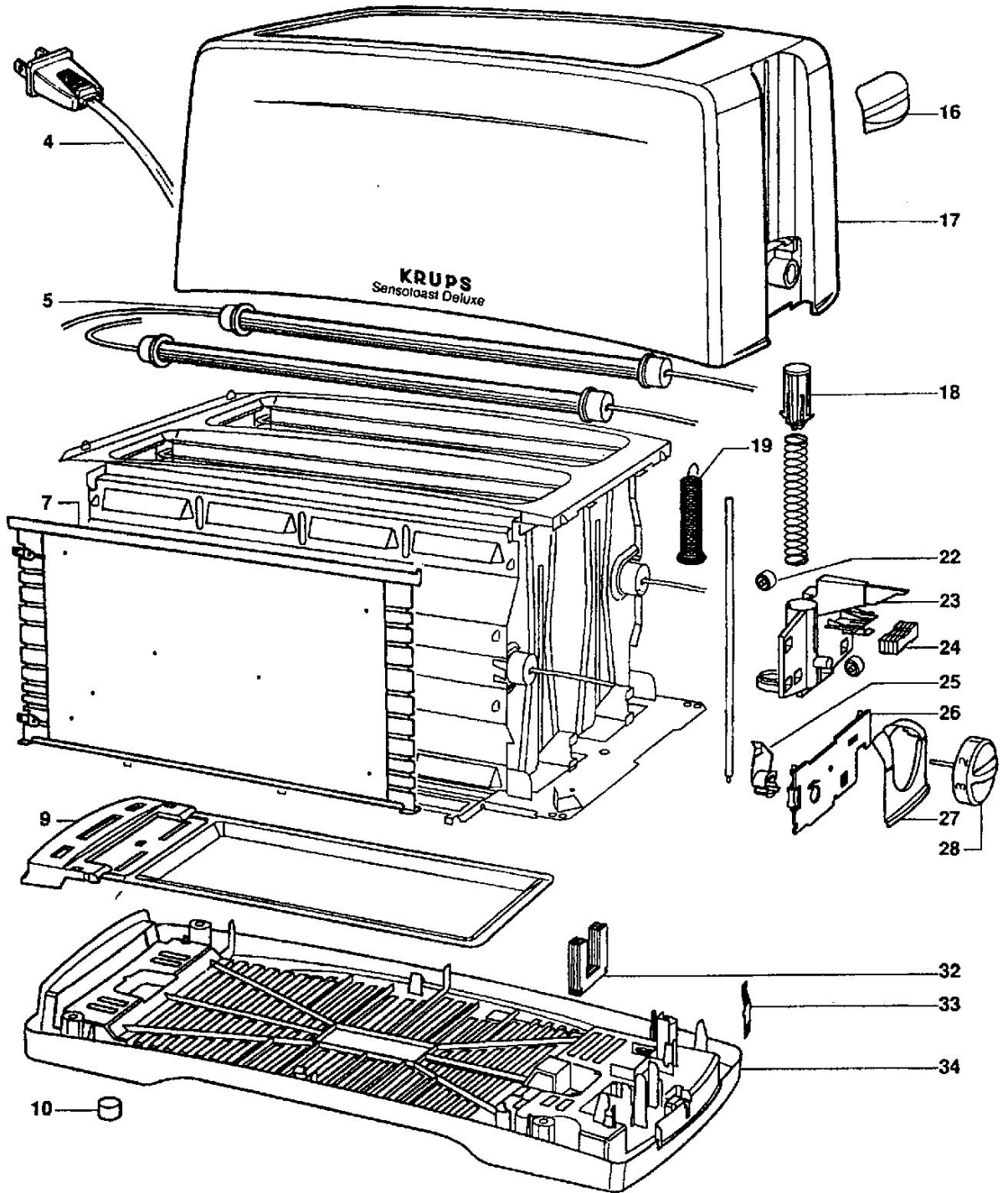


This Exploded Drawing is for Informational Purposes Only. No Technical Support or Installation Instructions are Available. If you do not see the part you are looking for on our website, please email [partsrequest@smallappliance.com](mailto:partsrequest@smallappliance.com) for assistance.

# KRUPS

SENSOTOAST DELUXE

TYPE: 287



# **KRUPS**

## **SENSOTOAST DELUXE**

**TYPE: 287**

<b>REFERENCE #</b>	<b>PART#</b>	<b>DESCRIPTION</b>
4	061140E	POWER CORD
5	5810955	ELEMENT
7	026028G	CENTRAL ELEMENT
9	5861078	CRUMB TRAY
10	069840E	FOOT
16	4861080	WHITE CONTROL BUTTON
17	5861068	WHITE BODY
18	4885806	BACK SHOCK ABSORBER
19	069210G	SPRING
22	4885075	CARRIAGE WHEEL
23	4885807	CONTROL ASSY
24	4570049	I MAGNET
25	4885856	SWITCH LEVER
26	5810960	PCB
27	4861076	WHITE STOP BUTTON
28	5861072	WHITE REGULATING BUTTON
32	4570048	U MAGNET
33	4885882	CONTACT
34	5968043	WHITE BASE