

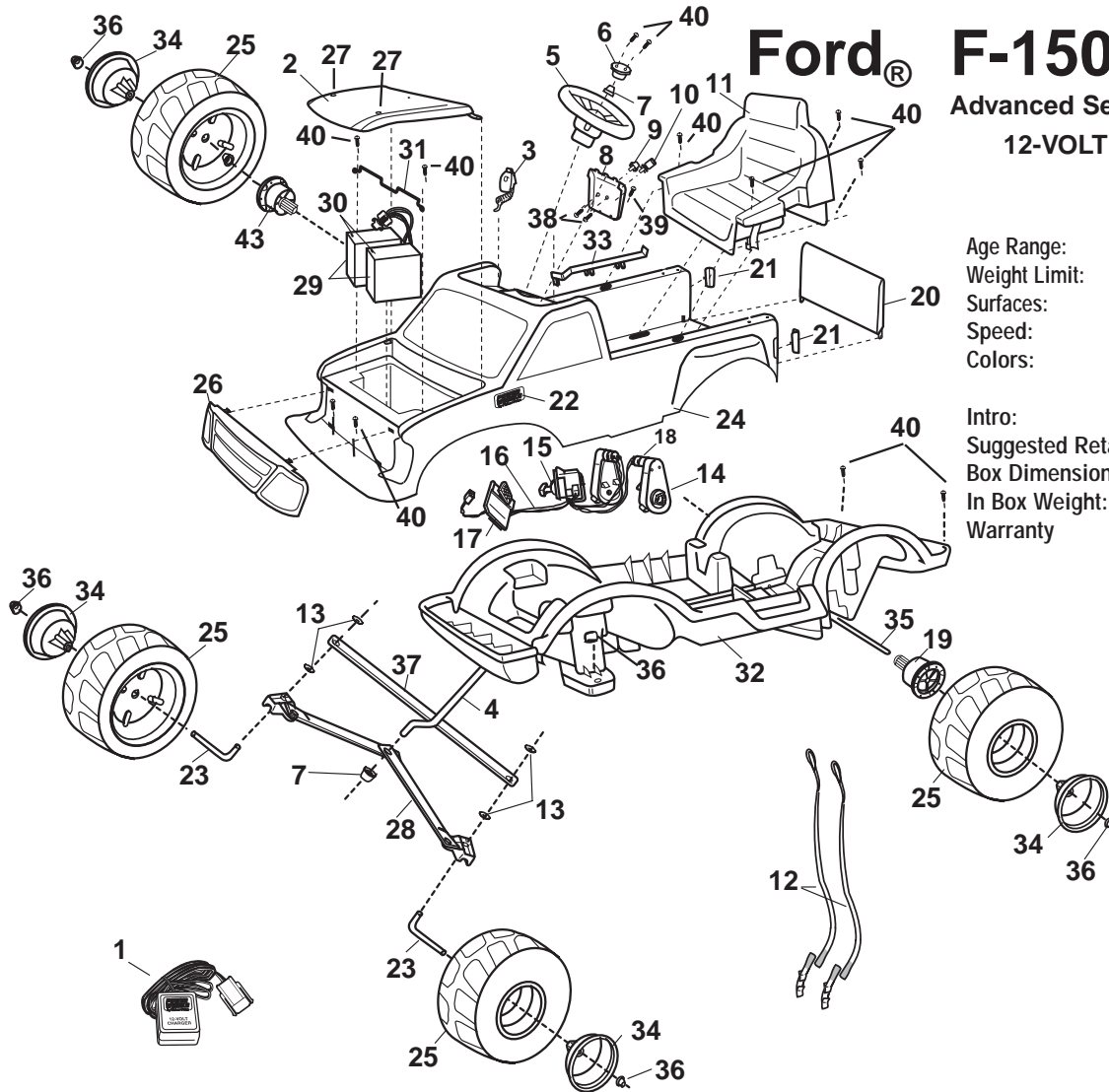
This product is affected by the PW recall announced Oct 1998. Please confirm that the product is modified or remediated in accordance with policy.

74210-9993

Ford® F-150 Pick Up

Advanced Series
12-VOLT

Age Range: 3 - 7 Years
 Weight Limit: 65 lbs.
 Surfaces: Hard, Grass, & Hills
 Speed: 2.5 / 5.0 MPH
 Colors: Red Body
 Black Trim
 Intro: 7-25-97
 Suggested Retail: \$179.99
 Box Dimensions: 48-3/4" x 24.5" x 31"
 In Box Weight: 61.5 Lbs.
 Warranty: 90 Vehicle
 6 Months Battery



Rev 07/09/03

Item No.	Description	Part No.	Qty	Item No.	Description	Part No.	Qty.	Item No.	Description	Part No.	Qty.
1	12 Volt Charger	00801-0973	1	19	Driver	74440-2229	2	36	.437 Cap Nut	0801-0226	6
2	Hood	74210-2129	1	20	**Tailgate	74210-2139	1	37	Crossbar	74420-4259	1
3	Microphone	74420-9619	1	21	Tailight Lens Set	74420-2059	1	38	#6 x 3/8" Screw	0801-0219	2
4	Steering Column	74420-4239	1	22	PW Emblem	74460-9069	2	39	#6 x 1/2" Screw	0801-0222	2
5	Steering Wheel	74440-2379	1	23	Front Axle	74420-4509	2	40	#8 x 1" Screw (Black)	0801-0224	16
6	Steering Wheel Cap	74550-2729	1	24	Vehicle Body N/A	74210-2109	1	Parts Not Shown			
7	.354 Cap Nut	0801-0604	2	25	Wheel	74420-2459	4		Main Decal	74210-0310	1
8	Dash Cover	74210-2099	1	26	Grille	74210-2149	1		Literature Bag	742109019A	1
9	Knob	74420-2089	1	27	Lock Fastener	78570-2439	2		Large Parts Bag	74210-9249	1
10	Key	74420-2049	1	28	Steering Linkage	74420-4289	1		Small Parts Bag	74210-9259	1
11	Seat	74210-2309	1	29	6 Volt Battery	00801-0712	2		Owner's Manual	74210-9049A	1
12	Seatbelt Set	74210-5519	1	30	Thermal. Fuse	0801-0711	2		Twist Lock Fastener	0801-0197	1
13	7/16" Washer	0801-0196	4	31	Battery Retainer	74420-4019	1		Motor Screw	0801-0269	1
14	#3B Gearbox w/Motor	74110-9519	2	32	Tub	74210-2119	1		#3B Gearbox w/Out Motor	74550-9279	1
15	Shifter Assly. (silver w/screw)	74110-9439	1	33	Channel Cover	74210-2039	1		#8 x 7/8" Trusshead Screw	0801-0228	2
16	Wire Harness Assm. H.E	74210-9789	1	34	Hubcap	74420-2079	4		Axle Bushing	74550-2689	2
17	Footboard Assembly	74440-9829	1	35	Rear Axle	74420-4519	1				
18	Motor w/Pinion	74590-9539	2								

**Tabs that hold gate closed were lengthened apx. 2/9/98. Part # did not change.

N/A = Not Available

Bold and Underlined parts are to be purchased and installed by Service Centers only. These items may not be sold directly to consumers by Service Centers or Fisher-Price.

