



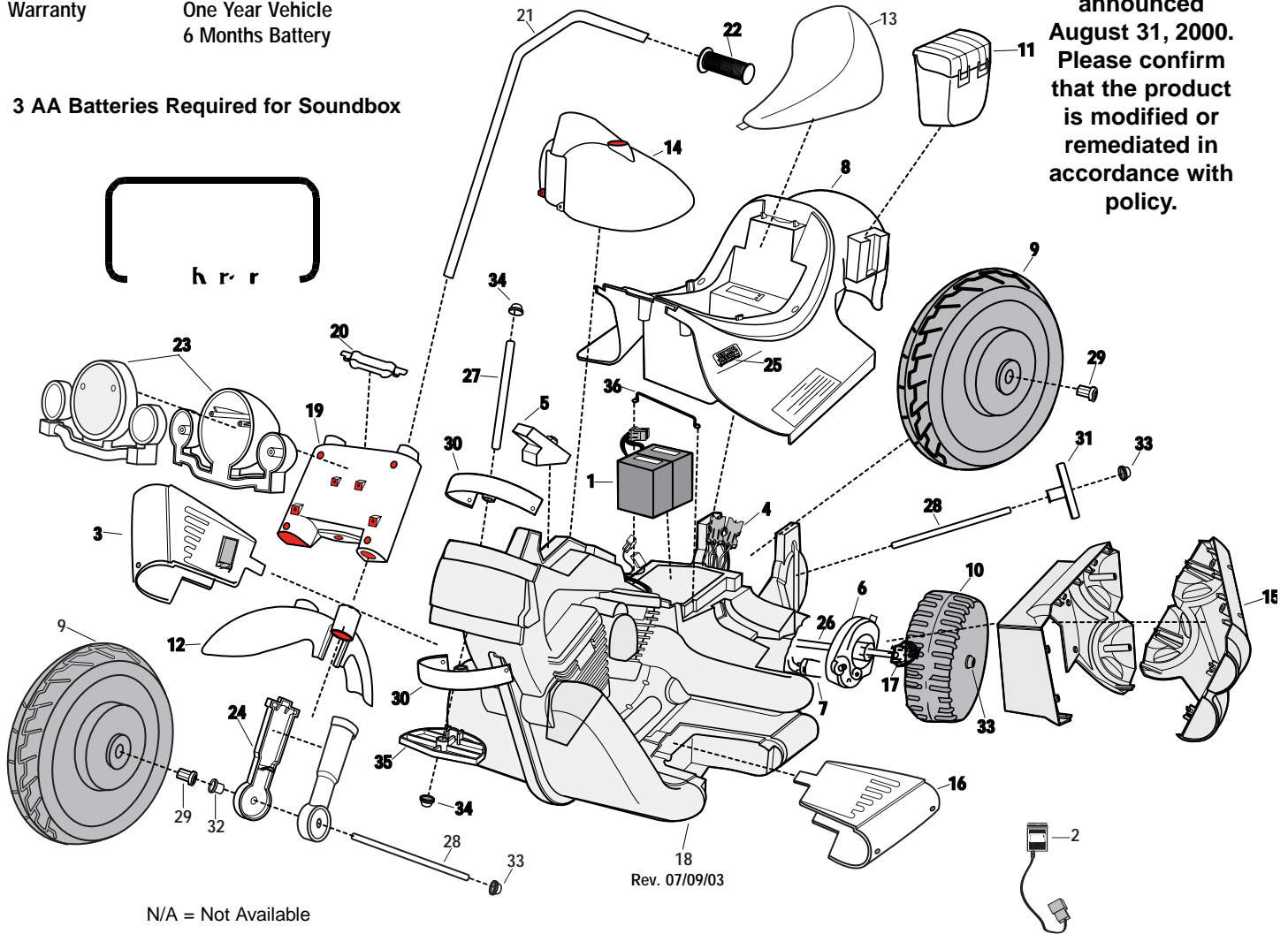
Age Range: 3-7 Yrs.  
 Weight Limit: 65 Lbs.  
 Surfaces: Grass & Hard  
 Speed: 2.5 / 5.0 MPH Forward  
 2.5 MPH Reverse  
 Colors: Red Body  
 Flame Trim  
 Intro: 8-20-99 U.S.  
 11-29-99 Canada  
 Suggested Retail: \$199.99  
 Box Dimensions: 40" x 20" x 25"  
 35 Lbs.  
 Warranty: One Year Vehicle  
 6 Months Battery

# 74290-9993

## Harley Davidson® Motorcycle Advanced Series Non H.E. 12 Volt

This product is affected by the PW Harely recall announced August 31, 2000. Please confirm that the product is modified or remediated in accordance with policy.

3 AA Batteries Required for Soundbox



Item No.	Description	Part No.	Qty.	Item No.	Description	Part No.	Qty.	Item No.	Description	Part No.	Qty.
<b>Working / Electrical Parts</b>											
1	6 Volt Battery	00801-0712	2	14	Gas Tank	74290-214A	1	29	Bushing (hex)	73233-2559	4
2	12V Charger	00801-0973	1	15	Exhaust Set (banded)	74290-9169	1	30	Bushing (steering)	74290-2359	2
3	Footboard Assembly w/switch	74290-9239	1	16	Footboard / Left	74290-2249	1	31	Bushing (axle/silver)	74290-2379	2
	When sending the footboard assm please order instruction #74290-0922 for consumer										
4	<b>Wiring Harness Assembly</b>	<b>74290-9799</b>	1	17	Driver	73233-2239	2	32	Bushing (round/black)	74550-2689	2
5	Soundbox	74290-9559	1	18	<b>Frame (inc. L &amp; R sides) N/A</b>	74290-9219	1	33	.437 Cap Nut	0801-0226	6
6	<b>#7 Motor Gearbox Assm.</b>	<b>00968-2901</b>	2	19	Fork (upper)	74290-2349	1	34	.354 Cap Nut	0801-0604	3
7	<b>Motor w/Pinion</b>	<b>74290-9539</b>	2	20	Fork Cover	74290-2389	1	35	Steering Stop	74290-2369	1
<b>Plastic / Other Parts</b>				21	Handlebar Set (banded)	74290-9029	1	36	Battery Retainer	74290-4419	1
8	<b>Body (N/A)</b>	74290-2109	1	22	Handgrip	74290-2399*	2	<b>Parts Not Shown</b>			
9	Large Wheel	74290-2159	2	23	Headlight Assembly	74290-9289	1	Decal Sheet	74290-0310	1	
10	Drive Wheel (Small)	74290-2269	2	24	Shock Set (banded)	74290-9329	1	Literature Bag	74290-9049	1	
11	Saddle Bag	74290-2129	2	25	PW Emblem	74460-9069	2	<b>Owner's Manual N/A</b>	74290-0920	1	
12	<b>Front Fender N/A</b>	74290-213A	1	<b>Hardware / Metal Parts</b>				Small Parts Bag	74290-9259B	1	
13	Seat	74290-2309	1	26	Axle (drive wheel)	74290-4509	1	Hardware Bag	74290-9279	1	
				27	Axle (fork)	74290-4529	1	Large Parts Bag	74290-9249	1	
				28	Axle (wheel)	74290-4519	2	<b>Gearbox W/Out Motor</b>	<b>00968-2801</b>	1	
								Control Switch	00801-0873	2	
								3/4" Plastite Screw	0912-8001	55	

**Bold and Underlined parts are to be purchased and installed by Service Centers only. These items may not be sold directly to consumers by Service Centers or Fisher-Price.**