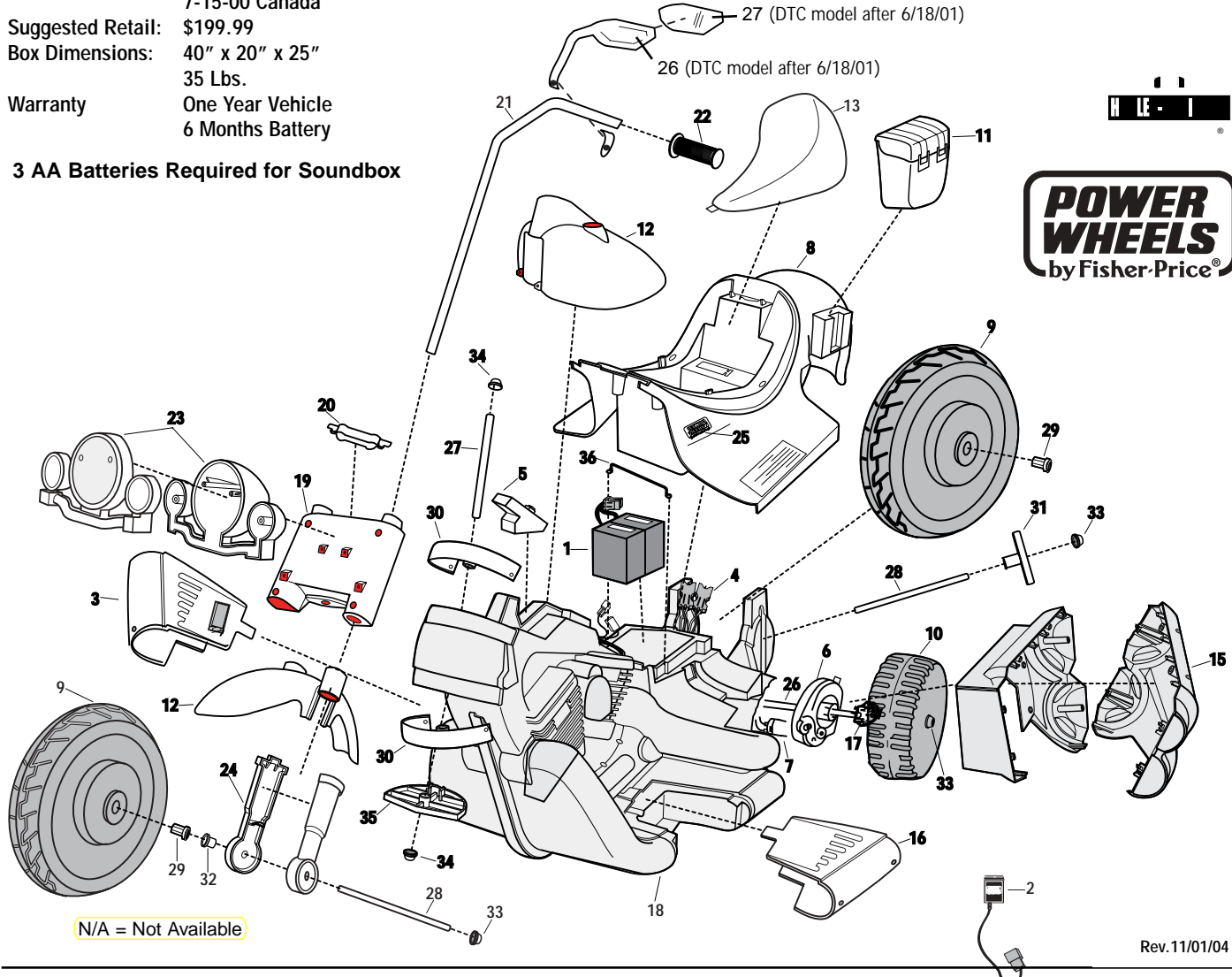


# 74370-9993 Harley Davidson Motorcycles made before 3/4/02

Age Range: 3-7 Yrs.  
 Weight Limit: 65 Lbs.  
 Surfaces: Grass & Hard  
 Speed: 2.5 / 5.0 MPH Forward  
 2.5 MPH Reverse  
 Colors: Pink Body  
 Flame Trim  
 Intro: 5-29-00 U.S.  
 7-15-00 Canada  
 Suggested Retail: \$199.99  
 Box Dimensions: 40" x 20" x 25"  
 35 Lbs.  
 Warranty: One Year Vehicle  
 6 Months Battery

## 74370-9993 Barbie Harley Davidson® Motorcycle Advanced Series Non H.E. 12 Volt



Rev.11/01/04

Item No.	Description	Part No.	Qty.	Item No.	Description	Part No.	Qty.	Item No.	Description	Part No.	Qty.
<b>Working / Electrical Parts</b>											
1	6 Volt Battery	00801-0712	2	17	Driver	73233-2239	2	32	Bushing (round/black)	74550-2689	2
2	12V Charger	00801-0973	1	18	Frame (incl. L & R sides)	N/A 74370-9219	1	33	.437 Cap Nut	0801-0226	6
3	Right Footboard w/switch	74370-9239	1	19	Fork (upper)	74370-2349	1	34	.354 Cap Nut	0801-0604	3
4	Wiring Harness Assembly	<b>74290-9799</b>	1	20	Fork Cover	74370-2389	1	35	Steering Stop	74370-2369	1
5	Soundbox	74290-9559	1	21	Handlebar Set (banded)	74370-9029	1	36	Battery Retainer	74290-4419	1
6	#7 Motor Gearbox Assm.	<b>00968-2901</b>	2	22	Handgrip	74370-2399	2	<b>Parts Not Shown</b>			
7	Motor w/Pinion	<b>74290-9539</b>	2	23	Headlight Assembly	N/A 74370-9289	1	Decal Sheet	74370-0420	1	1
<b>Plastic / Other Parts</b>				24	Shock Set (banded)	74370-9329	1	Literature Bag	N/A 74370-9019	1	1
8	Body (N/A)	74370-2109	1	25	PW Emblem	74460-9069	2	Owner's Manual	N/A 74370-0920	1	1
9	Large Wheel	74290-2159	2	26	Mirror Left (DTC model only after 6/18/01)	75209-2449	1	Small Parts Bag	74370-9139A	1	1
10	Drive Wheel (Small)	74290-2269	2	27	Lens Set (DTC model only after 6/18/01)	75209-2459	1	Hardware Bag	74290-9279	1	1
11	Saddle Bag	74370-2129	2	<b>Hardware / Metal Parts</b>				Large Parts Bag	74370-9049	1	1
12	Front Fender & Gas Tank	N/A 74370-214A	1	26	Axle (drive wheel)	74290-4509	1	<b>Gearbox W/Out Motor</b>	<b>00968-2801</b>	1	1
13	Seat	74290-2309	1	27	Axle (fork)	74290-4529	1	Control Switch (Forward/Reverse)	00801-0885	2	2
15	Exhaust Set (banded)	74370-9169	1	28	Axle (wheel)	74290-4519	2	3/4" Plastite Screw	0912-8001	55	55
16	Footboard / Left	74370-2249	1	29	Bushing (hex)	73233-2559	4	<b>Footswitch</b>	<b>00801-0933</b>	1	1
				30	Bushing (steering)	74370-2359	2	Mirror Right (DTC model only after 6/18/01)	75209-2469	1	1
				31	Bushing (axle/silver)	74370-2379	2				

**Bold and Underlined parts are to be purchased and installed by Service Centers only. These items may not be sold directly to consumers by Service Centers or Fisher-Price.**



74370-9993 Harley Davidson Motorcycles **made after 3/4/02**

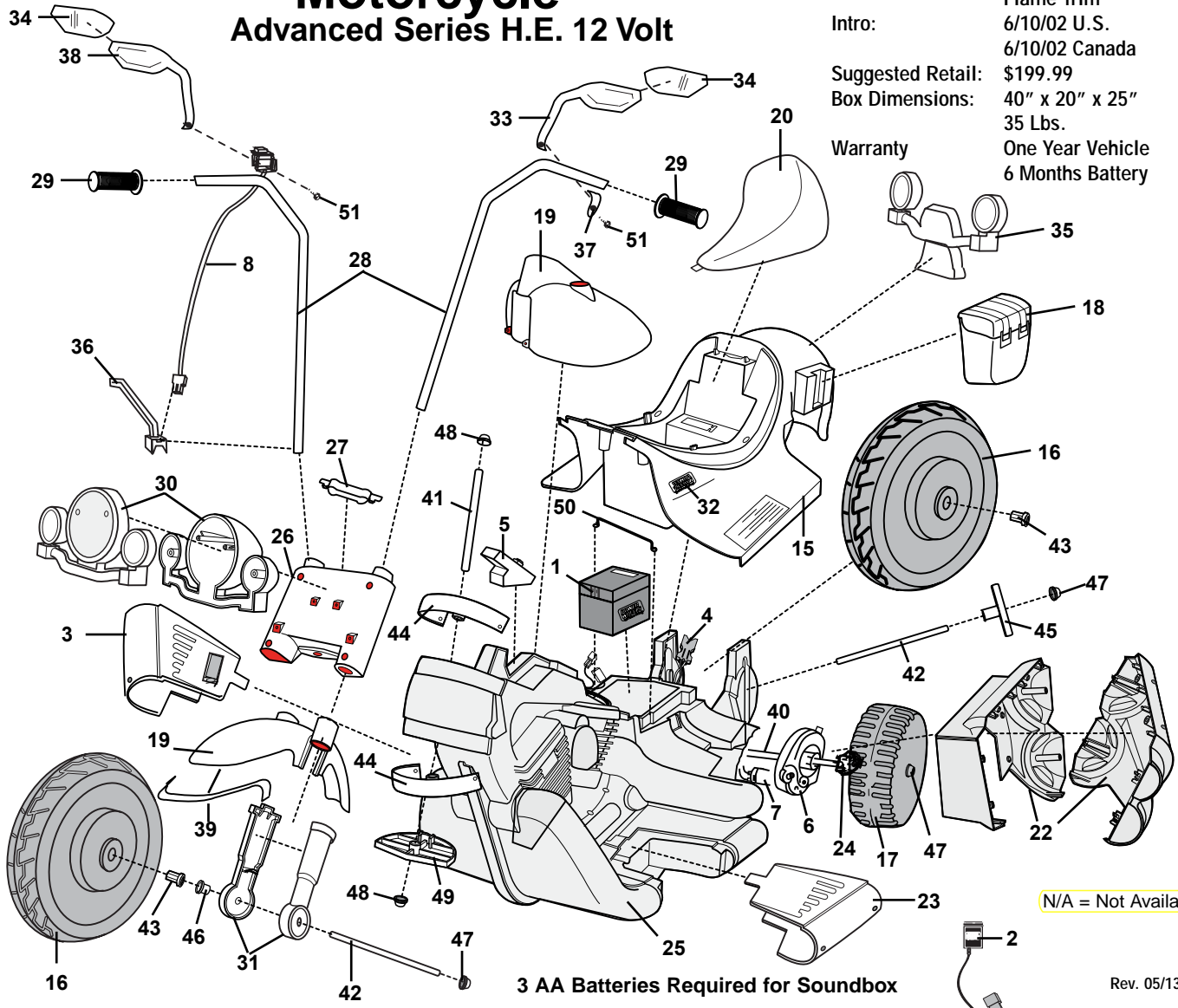


# 74370-9993

## Barbie Harley Davidson®

### Motorcycle Advanced Series H.E. 12 Volt

Age Range: 3-7 Yrs.  
 Weight Limit: 65 Lbs.  
 Surfaces: Grass & Hard  
 Speed: 2.5 / 5.0 MPH Forward  
 2.5 MPH Reverse  
 Colors: Pink Body  
 Flame Trim  
 Intro: 6/10/02 U.S.  
 6/10/02 Canada  
 Suggested Retail: \$199.99  
 Box Dimensions: 40" x 20" x 25"  
 35 Lbs.  
 Warranty: One Year Vehicle  
 6 Months Battery



N/A = Not Available

3 AA Batteries Required for Soundbox

Rev. 05/13/04

Item No.	Description	Part No.	Qty.	Item No.	Description	Part No.	Qty.	Item No.	Description	Part No.	Qty.
<b>Working / Electrical Parts</b>											
1	12 Volt Battery	00801-0638	1	24	Driver	73233-2239	2	44	Bushing (steering)	74370-2359	2
2	12V Charger	00801-0972	1	25	Frame (incl. L & R sides)/N/A	74370-9219	1	45	Bushing (axle/silver)	74370-2379	2
3	Right Footboard w/switch	74370-9239	1	26	Fork (upper)	74370-2349	1	46	Bushing (round/black)	74550-2689	2
				27	Fork Cover	74370-2389	1	47	.437 Cap Nut	0801-0226	6
				28	Handlebar Set (banded)	74370-9529	1	48	.345 Cap Nut	0801-0604	3
				29	Handgrip	74370-2399	2	49	Steering Stop	74370-2369	1
				30	Headlight Assembly N/A	74370-9289	1	50	Battery Retainer	74290-4419	1
				31	Shock Set (banded)	74370-9329	1	51	Screw #8 x 1/2	0801-0202	2
4	<u>Wiring Harness Assembly</u>	<u>74287-9799</u>	1	32	PW Emblem	74460-9069	2	<b>Parts Not Shown</b>			
5	Soundbox	74290-9559	1	33	Mirror Left	75209-2449	1	Decal Sheet	74370-0420	1	
6	<u>#7 Motor Gearbox Assm.</u>	<u>00968-2901</u>	2	34	Mirror Right	75209-2469	2	Owner's Manual	74370-0923	1	
7	<u>Motor w/Pinion</u>	<u>74290-9539</u>	2	35	Tail Light Assm	75210-8010	1	Small Parts Bag	74370-9139A	1	
8	Handlebar Harness w cover	74287-9759	1	36	Wire Cover	74287-2439	1	Hardware Bag	74290-9279	1	
<b>Plastic / Other Parts</b>											
15	Body (N/A)	74370-2509	1	37	Mirror Clamp	75209-2429	1	Large Parts Bag	74370-9039	1	
16	Large Wheel	74290-2159	2	38	Mirror Right	74287-2429	1	<u>Gearbox W/Out Motor</u>	<u>00968-2801</u>	1	
17	Drive Wheel (Small)	74290-2269	2	39	Fender Tip	75210-2419	1	Control Switch (Forward/Reverse)	00801-0885	2	
18	Saddle Bag	74370-2129	2	<b>Hardware / Metal Parts</b>							
19	Front Fender & Gas Tank	3800-6755	1	40	Axle (drive wheel)	74290-4509	1	3/4" Plastite Screw	0912-8001	61	
20	Seat	74290-2309	1	41	Axle (fork)	74290-4529	1	<u>Footswitch</u>	<u>00801-0933</u>	1	
22	Exhaust Set (banded)	74370-9169	1	42	Axle (wheel)	74290-4519	2	<u>PC Board</u>	<u>74287-9729</u>	1	
23	Footboard / Left	74370-2249	1	43	Bushing (hex)	73233-2559	4				

**Bold and Underlined parts are to be purchased and installed by Service Centers only. These items may not be sold directly to consumers by Service Centers or Fisher-Price.**