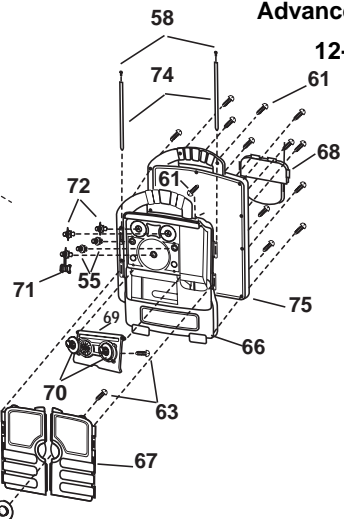
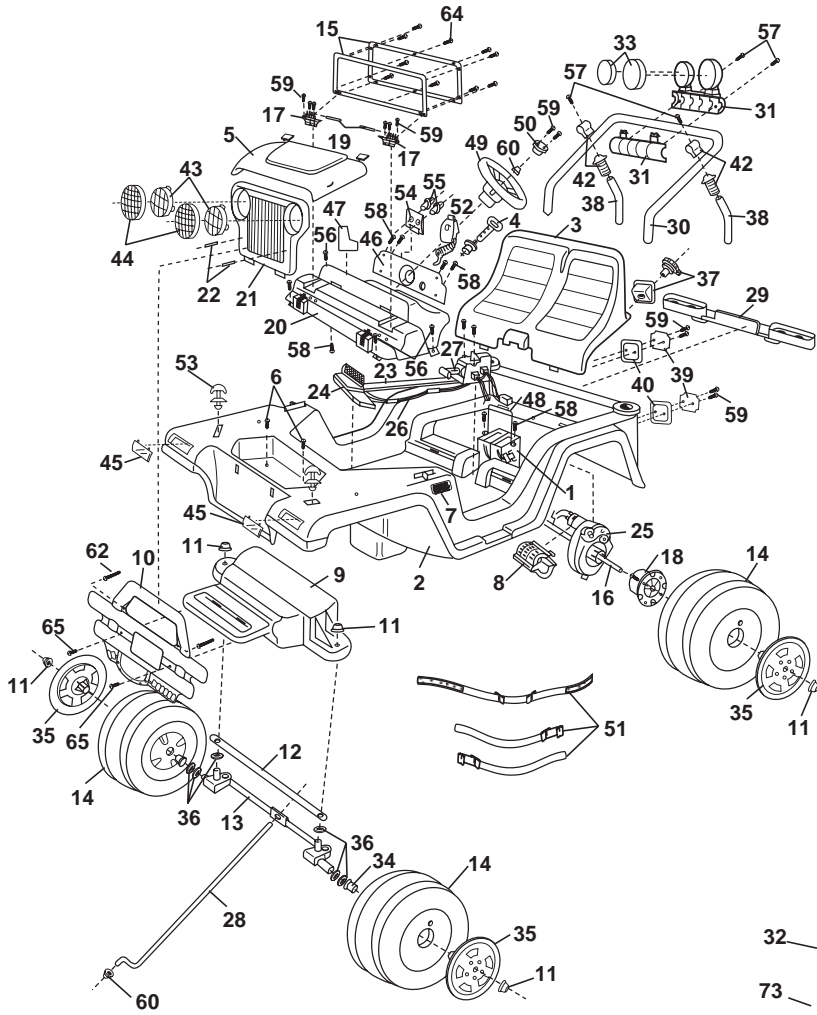


Age Range: 3-7 Yrs.  
 Weight Limit: 130 Lbs.  
 Surfaces: Hard, Grass & Hills  
 Speed: 2.5 / 5.0 MPH Forward  
 2.5 MPH Reverse  
 Colors: Aqua Body  
 Black Seats  
 Red Trim  
 Intro: 8-5-96  
 Discontinued: 1997  
 Suggested Retail: \$249.99  
 Box Dimensions: 49" x 19-3/4" x 33-1/2"  
 In-Box Weight: 70 Lbs.  
 Warranty: 90 Days Vehicle  
 6 Months Battery

# 74450-9993 Jeep® Adventure Team

Advanced Series



This product is affected by the PW recall announced Oct 1998. Please confirm that the product is modified or remediated in accordance with policy.

REV. 06/25/03

Item No.	Description	Part No.	Qty.	Item No.	Description	Part No.	Qty.	Item No.	Description	Part No.	Qty.
1	Battery	00801-0712	2	34	Axle Bushing	74550-2689	2	66	TelePack Case - Front N/A	74450-2319	1
2	Body N/A	74450-2019	1	35	Hubcap	74440-2579	4	67	TelePack Door, Left N/A	74450-2349	1
3	Seat N/A	74440-2319	1	36	7/16" Washer	0801-0196	6	68	Clip - TelePack N/A	74450-2339	1
4	Key/Housing Assembly	74550-2439	1	37	Gas Cap/Flange Assembly N/A	74440-9089	1	69	Door, TelePack Storage N/A	74450-2369	1
5	Hood N/A	74450-2529	1	38	Sport Bar Support	74440-4229	2	70	Knob, TelePack Stor Door N/A	74450-2399	2
6	5/16" x 31/2" Hex Bolt N/A	0801-0192	2	39	Taillight Lens	73233-2279	1	71	Knob, TelePack Radar	74450-2379	1
7	PW Emblem	74460-9069	2	40	Taillight Housing Set	73233-2759	1	72	Knob, TelePack Pointer	74450-2389	2
8	Motor Cover	74750-2359	2	41	#8 x 7/8" Screw (Silver)	0801-0228	2	73	Knob, TelePack Combin N/A	74450-2419	1
9	Front Module N/A	74450-2119	1	42	Sport Bar Bracket/Swiv Set N/A	74440-2049	1	74	Hinge Rod N/A	74450-4019	2
10	Brushguard N/A	74450-2189	1	43	Headlight Lens	74440-2879	2	75	TelePack Case - Rear N/A	74450-2329	1
11	Cap Nut .437 (Black)	0801-0226	6		(Changed from clear to blue 8-8-97)						
12	Cross Bar	74460-4419	1	44	Headlight Lens Guard	74460-2339	2	<b>PARTS NOT SHOWN</b>			
13	Axle/Link Assembly	74440-9419A	1	45	Turn Signal Lens	74440-2349	2	Label Main Sheet N/A	74450-0320	1	
14	Wheel	3800-6799	4	46	Dash Plate N/A	74440-2679	1	Lit Bag Up To - 10/26/96 N/A	744509109A	1	
15	Windshield - Front/Rear N/A	74450-9159	1	47	Walkie-Talkie Holder N/A	74450-2439	1	10/27/96 - 11/30/96 N/A	744509109B	1	
16	Rear Axle	74440-4519	1	48	Battery Retainer	78490-4029	1	12/1/96 - present N/A	744509109C	1	
17	Windshield Hinge Set N/A	74450-9679	1	49	Steering Wheel	74440-2379	1	#8 x 3/4" Phillips Head	0801-0223	5	
18	Wheel Driver N/A	74460-2249	2	50	Steering Wheel Cap	74550-2729	1	Large Parts Bag #1 N/A	74450-9249	1	
19	Hinge Pin	0801-0257	2	51	Seatbelt Set N/A	74460-2319	1	Large Parts Bag #2 N/A	74450-9269	1	
20	Dash N/A	74450-2699	1	52	CB Mic w/Cord	74110-9479	1	Small Pts Bag (start- 10/29/96 N/A	744509259A	1	
21	Grille	74450-2849	1	53	Hood Latch	74020-9559	2	(10/30/96 - Present) N/A	744509259B	1	
22	Spacer	74460-2069	2	54	Knob Plate	74020-2719	1	12v Charger	00801-0973	1	
23	Channel Cover N/A	74450-2469	1	55	Round Knob	74550-2719	4	Twist-Lock Fastener N/A	0801-0197	2	
24	Footboard Assembly	74440-9829	1	56	#10 x 1" Screw (Black)	0801-0220	4	Lock Fastener	78570-2439	1	
25	#7 Gearbox w/Motor	00968-2902	2	57	#6 x 1-1/2" Screw (Black)	0801-0221	4	#7 Gearbox w/o Motor (Bik)	00968-2802	2	
26	Harness Assembly	74440-9799	1	58	#8 x 3/4" Screw (Black)	0801-0223	9	Fuse 30 Amp N/A	0801-0229	3	
27	Shifter Assembly (yellow)	74310-9039	1	59	#8 x 1" Screw (Black)	0801-0224	12	5/16" Hex Nyloc Nut N/A	0801-0193	2	
28	Steering Column	74440-4239	1	60	Cap Nut.354 (Black)	0801-0604	3	Walkie-Talkie Set N/A	74450-9459	1	
29	Rear Bumper	74440-2039	1	61	#6 x 3/4" Screw (Silver) N/A	0801-0302	13	Use & Care Manual N/A	74450-0300	1	
30	Sport Bar	74450-9219	1	62	#8 x 4" Screw (Black) N/A	0801-0516	2	Roll Bar Scrw 1/4" x 1-1/2" N/A	0801-0467	2	
31	KC™ Light Rack - Front	74450-2049	1	63	#6 x 3/8" Screw (Silver) N/A	0801-0219	3				
32	TelePack Door, Right	74450-2359	1	64	#8 x 1-1/4" Screw (Black)	0801-0216	10				
33	KC™ Light Cover	74460-2169	2	65	#10 x 3/4" Screw (Black)	0801-0309	2				

