

This product is affected by the PW recall announced Oct 1998. Please confirm that the product is modified or remediated in accordance with policy. Use this parts diagram for products **made on or before 3-21-98**

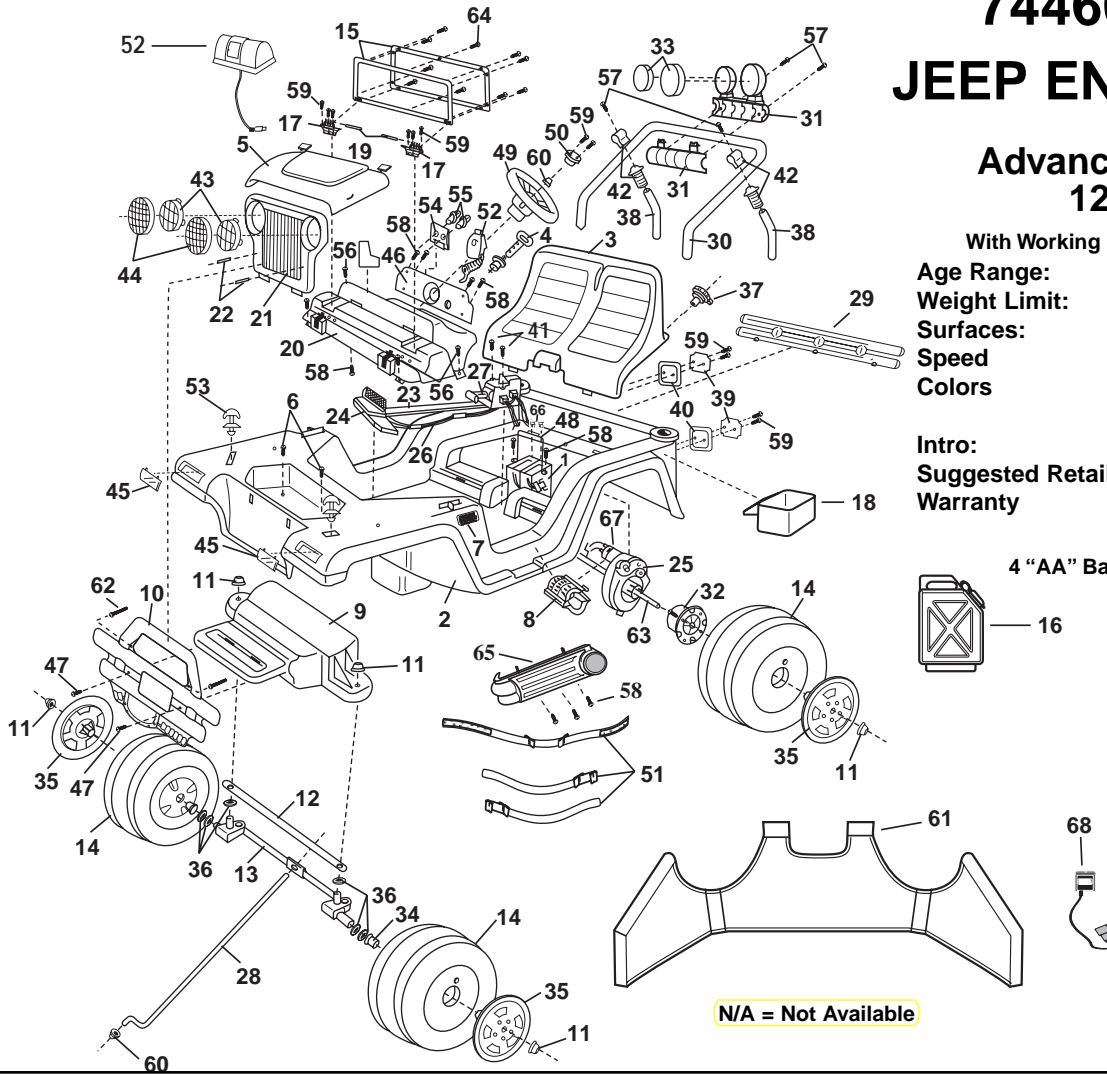
74460-9993 JEEP ENFORCER®

Advanced Series 12 Volt

With Working Siren & Light Unit

Age Range: 3 - 7 Years
Weight Limit: 130 lbs.
Surfaces: Hard & Grass
Speed: 2.5 / 5.0 MPH
Colors: Black Body
 Yellow Trim
Intro: 8-23-96
Suggested Retail: \$299.99
Warranty: 90 Days Vehicle
 6 Months Battery

4 "AA" Batteries required for Siren



N/A = Not Available



02/05/04

Item No.	Description	Part No.	Qty.	Item No.	Description	Part No.	Qty.	Item No.	Description	Part No.	Qty.
1	Battery type A	00801-0712	2	31	KC™ Light Rack - Assembly	78457-9349	1	60	Cap Nut.354 (Black)	0801-0604	3
2	Body (N/A)	74460-2109	1	32	Wheel Driver	74460-2249	2	61	Canopy Assembly with Bag	74460-9599	1
3	Seat N/A	74460-2309	1	33	KC™ Light Cover	74460-2169	2	62	#8 x 4" Screw (Black) N/A	0801-0516	2
4	Key/Housing Assembly black	78490-9369	1	34	Axle Bushing	74550-2689	2	63	Rear Axle	74440-4519	1
5	Hood (not original hood) N/A (siren location different / holes for screws moved)	74460-6119	1	35	Hubcap	74460-6579	4	64	#8 x 1-1/4" Screw (Black) N/A	0801-0216	10
6	5/16" x 51/2" Hex Bolt N/A	0801-0605	2	36	7/16" Washer	0801-0196	6	65	Side Pipe Set N/A	74460-9049	1
7	PW Emblem	74460-9069	2	37	Gas Cap	74526-2089	1	66	Thermal Cover Asm - 27 Amp. Fuse	0801-0711	2
8	Motor Cover	74750-2359	1	38	Sport Bar Support	74440-4229	2	67	<u>Motor w/Pinion</u>	<u>00968-2701</u>	2
9	Front Module	74460-2019	1	39	Taillight Lens Set	73233-2279	1	68	12v Charger A type	00801-0973	1
10	Brushguard N/A	74460-2189	1	40	Taillight Housing Set	73233-2759	1				
11	Cap Nut .437 (Black)	0801-0226	6	41	#8 x 7/8" Screw (Silver)	0801-0228	2				
12	Cross Bar	74460-4419	1	42	Sport Bar Bracket/Swivel Set N/A						
13	Axle/Link Assembly	74440-9419A	1			74440-2049	1				
14	Wheel, Baja 14"	74460-2459	4	43	Headlight Lens (changed from clear to blue 8-8-97)	74440-2879	2				
15	Windshield - Front/Rear	74460-9619	1	44	Headlight Lens Guard	74460-2339	2				
16	Water Bottle with Cap	78608-2239	1	45	Turn Signal Lens	74440-2349	2				
17	Windshield Hinge	74270-2639	2	46	Dash Plate N/A	74460-2359	1				
18	Water Bottle Holder(N/A)	74460-2149	1	47	#10 x 3/4" Screw (Black)	0801-0309	2				
19	Hinge Pin	0801-0257	2	48	Battery Retainer	74440-4019	1				
20	Dash (N/A)	74460-2699	1	49	Steering Wheel	74440-2379	1				
21	Grille N/A	74460-2689	1	50	Steering Wheel Cap	74550-2729	1				
22	Spacer	74460-2069	2	51	Seatbelt Set N/A	74460-2319	1				
23	Channel Cover (N/A)	74460-2289	1	52	Siren/Microphone	74570-9259	1				
24	Footboard Assembly	74440-9829	1	53	Hood Latch	74270-9559	2				
25	#7 Gearbox w/Motor	00968-2910	2	54	Knob Plate N/A	74460-21790	1				
26	<u>Harness Assembly</u>	<u>74440-9799</u>	1	55	Dash Knob	74460-2199	2				
27	see note below/Shifter Assy yellow	74310-9239sub1	1	56	#10 x 1" Screw (Black)	0801-0220	4				
28	Steering Column N/A	74460-4029	1	57	#6 x 1-1/2" Screw (Black)	0801-0221	4				
29	Rear Bumper (N/A)	74270-2039	1	58	#8 x 3/4" Screw (Black)	0801-0223	12				
30	Sport Bar	74450-9219	1	59	#8 x 1" Screw (Black)	0801-0224	13				

PARTS NOT SHOWN

Label Main Sheet N/A	74460-0300	1
Literature Bag (7-10-96 - 10-19-96) (N/A)	74460-9019A	1
Literature Bag (10-20-96 - 11-30-96) (N/A)	74460-9019B	1
Literature Bag (12-1-96 - PRESENT) (N/A)	74460-9019C	1
Large Parts Bag 1 (N/A)	74460-9219	1
Large Parts Bag 2 (N/A)	74440-9279	1
Small Parts Bag (N/A)	74460-9259	1
Twist-Lock Fastener (N/A)	0801-0197	2
Lock Fastener (N/A)	74460-2239	1
<u>#7 Gearbox w/o Motor</u>	<u>74460-9529</u>	2
5/16" Hex Nyloc Nut (N/A)	0801-0193	2
Clip Adhesive	0801-0313	1
Use & Care Manual (N/A)	74460-0920	1
<u>Footswitch</u>	<u>00801-0933</u>	1
1/4" x 1-1/2" Roll Bar Screws (N/A)	0801-0467	2
.....(Order small parts bag)		
Velcro (for Mic) Parts Bag (inc. screws)(N/A)	74570-0000	1

Bold and Underlined parts are to be purchased and installed by Service Centers only. These items may not be sold directly to consumers by Service Centers or Fisher-Price.

Note: When ordering the shifter, please also send out
 (1) lock out screw 0801-0254 and
 (1) supplemental instructions 78490-0929.

Use this parts diagrams for units produced on or after 3-22-98

Revised 74460-9993 JEEP ENFORCER®

Advanced Series 12 Volt

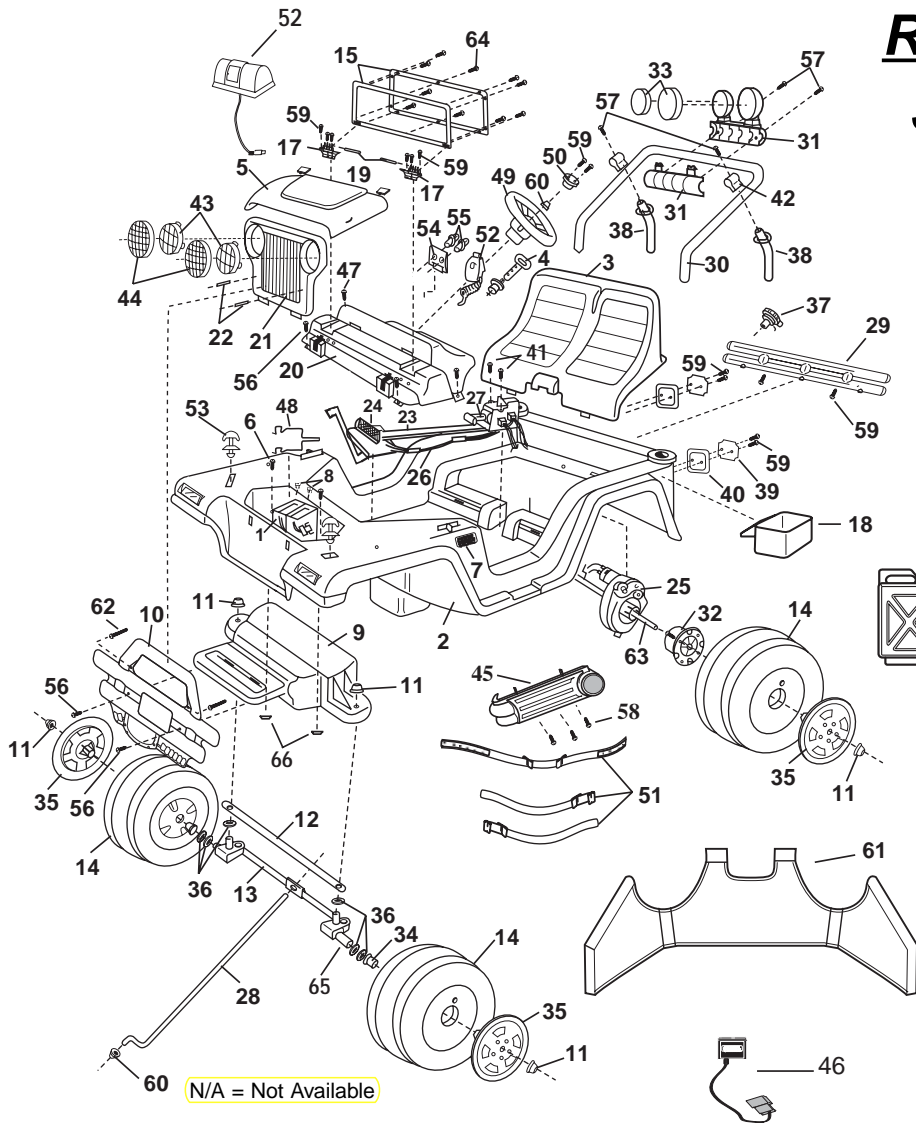
With Working Siren & Light Unit

Age Range: 3-7 Yrs.
 Weight Limit: 130 Lbs.
 Surfaces: Hard & Grass
 Speed: 2.5 Reverse
 2.5 / 5.0 MPH Forward
 Colors: Black Body
 Yellow Trim
 Intro: 8-23-96 (originally)
 3-22-98 (this version)
 Suggested Retail: \$299.99
 Warranty: 90 Days Vehicle
 6 Months Battery

Rev. 02/04/04



This product is affected by the PW recall announced Oct 1998. Please confirm that the product is modified or remediated in accordance with policy.



Item No.	Description	Part No.	Qty.	Item No.	Description	Part No.	Qty.	Item No.	Description	Part No.	Qty.
1	Battery	00801-0712	2	28	Steering Column	74460-4129	1	55	Dash Knob	74460-2199	2
2	Body (N/A)	74460-2209	1	29	Rear Bumper	74270-2039	1	56	#10 x 1" Screw (Black)	0801-0220	4
3	Seat N/A	74460-2329	1	30	Sport Bar	74450-9219	1	57	#6 x 1-1/2" Screw (Black/Blunt)	0801-0469	4
4	Key/Housing Assembly black	78490-9369	1	31	KC™ Light Rack - Assembly	78457-9349	1	58	#8 x 3/4" Screw (Black)	0801-0223	6
5	Hood N/A	74460-6119	1	32	Wheel Driver	74460-2249	2	59	#8 x 1" Screw (Black)	0801-0224	14
6	5/16" x 51/2" Hex Bolt N/A	0801-0605	2	33	Wheel Cover	74460-2169	2	60	.354 Cap Nut (Black)	0801-0604	2
7	PW Emblem	74460-9069	2	34	Axle Bushing	74550-2689	2	61	Canopy Assembly with Bag	74460-9599	1
8	Thermal CDI - 27 Amp. Fuse N/A	0801-0711	2	35	Hubcap	74460-6579	4	62	#8 x 4" Screw (Black)N/A	0801-0516	2
9	Front Module	74460-2019	1	36	7/16" Washer	0801-0196	4	63	Rear Axle	74440-4519	1
10	Brushguard N/A	74460-2189	1	37	Gas Cap	74526-2089	1	64	#8 x 1-1/4" Screw (Black)N/A	0801-0216	10
11	.437 Cap Nut (Black)	0801-0226	6	38	Sport Bar Support	78490-2229	2	65	Front Axle	74440-4509	2
12	Cross Bar	74460-4419	1	39	Taillight Lens Set	73233-2279	1	66	5/16" Hex Nyloc Nut(N/A)	0801-0193	2
13	Axle/Link Assembly	74440-9419A	1	40	Taillight Housing Set	73233-2759	1	67	Rear module	N/A	1
14	Wheel, Baja 14"	74460-2459	4	41	#8 x 7/8" Screw (Silver)	0801-0228	2	PARTS NOT SHOWN			
15	Windshield - Front/Rear	74460-9619	1	42	Sport Bar Bracket Set	78490-2179	1	Label Main SheetN/A	74460-0310	1	
16	Water Bottle with Cap	78608-2239	1	43	Headlight Lens (Blue)	74440-2879	2	Literature Bag N/A	74460-9029	1	
17	Windshield Hinge	74270-2639	2	44	Headlight Lens Guard	74460-2339	2	Large Parts Bag 1 (N/A)	74460-9239	1	
18	Water Bottle Holder(N/A)	74460-2149	1	45	Side Pipe Set (N/A)	74460-9049	1	Large Parts Bag 2 (N/A)	74460-9389	1	
19	Hinge Pin	0801-0257	2	46	12v Charger A Style	00801-0973	1	Small Parts Bag	74460-9249	1	
20	Dash N/A	74460-2689	1	47	#10 x 1/2" Screw (Black N/A)	0801-0540	2	#7 Gearbox w/o Motor	<u>74310-9529</u>	2	
21	Grille	74460-2849	1	48	Battery Retainer	78490-4029	1	Motor w/Pinion	<u>00968-2701</u>	2	
22	Brushguard Spacer	74460-2069	2	49	Steering Wheel	74440-2379	1	Clip Adhesive	0801-0313	1	
23	Channel Cover N/A	74460-2289	1	50	Steering Wheel Cap	74550-2729	1	Use & Care Manual (N/A)	74460-0920	1	
24	Footboard Assembly	78490-9829	1	51	Seatbelt Set	74460-5339	1	Footswitch	<u>00801-0933</u>	1	
25	#7 Gearbox w/Motor	00968-2910	2	52	Siren/Microphone	74570-9259	1	1/4" x 1-1/2" Roll Bar Screws (N/A)	0801-0467	2	
26	<u>Harness Assembly (N/A)</u>	<u>78490-9899</u>	1	53	Hood Latch	74270-9559	2	(order small parts bag)			
27	Shifter Assembly	74310-9239	1	54	Knob Plate (N/A)	74460-2179	1				

Bold and Underlined parts are to be purchased and installed by Service Centers only. These items may not be sold directly to consumers by Service Centers or Fisher-Price.