

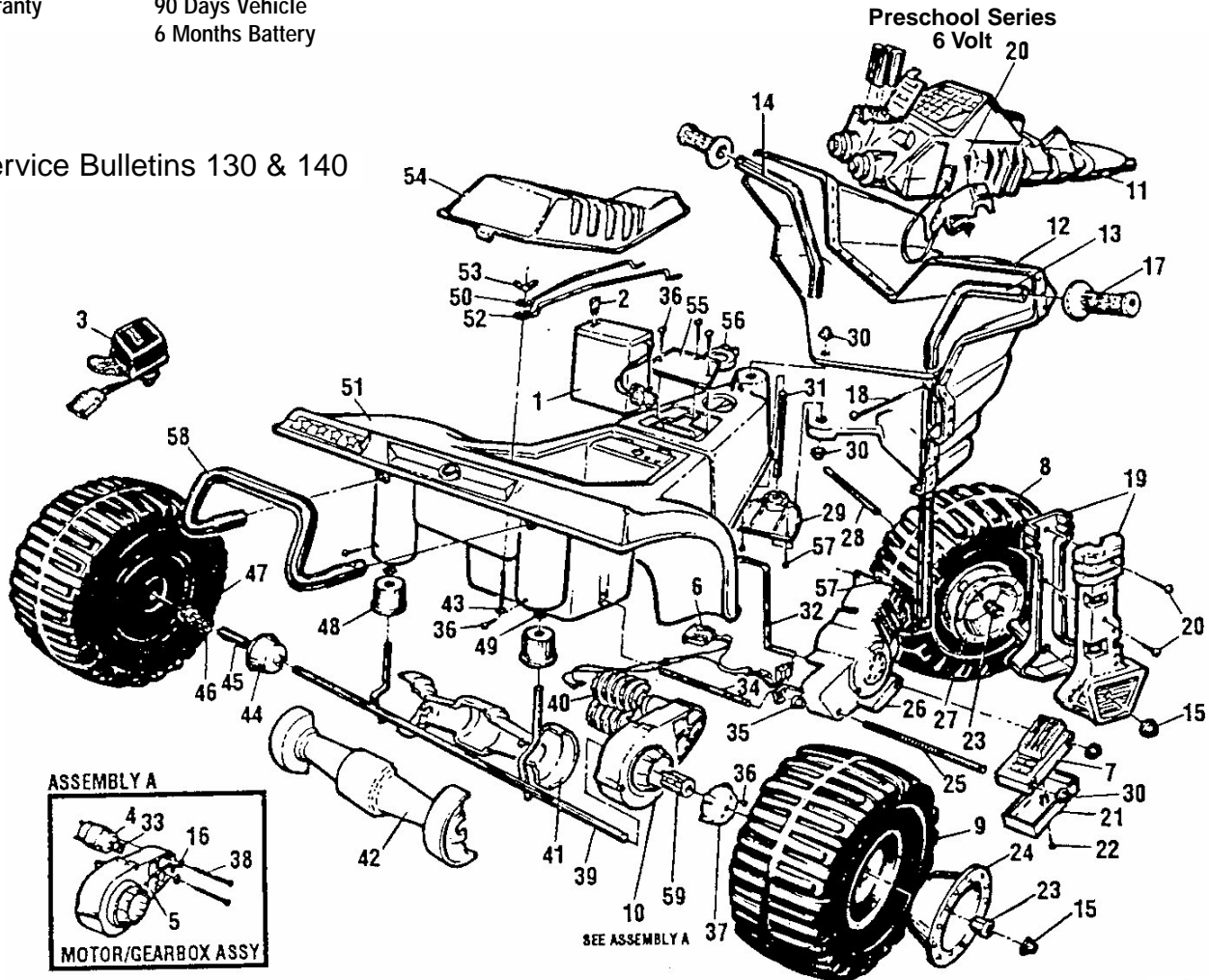
Age Range: 1-1/2 to 4 Yrs.  
 Weight Limit: 50 Lbs.  
 Surfaces: Hard  
 Speed: 2.5 MPH  
 Intro: 1992  
 Suggested Retail: \$149.99 - 169.99  
 Warranty: 90 Days Vehicle  
 6 Months Battery

# 76114-9993 / 84515

## Recon 1

TRU Exclusive

Service Bulletins 130 & 140



Rev. 09/18/03

Item No.	Description	Part No.	Qty.	Item No.	Description	Part No.	Qty.	Item No.	Description	Part No.	Qty.
1	6 Volt Battery	00801-1234	1	26	False Motor (Right N/A)	80021-0018	1	50	Washer N/A	76822-4409	1
2	25 Amp Fuse	0801-0151	1	27	Hubcap / Front N/A	80033-0027	2	51	Body (N/A)	80005-0231	1
3	6 Volt Charger	00801-0975	1	28	Front Axle (N/A)	80025-0006	1	52	Battery Retainer N/A	76112-4419	1
4	<u>Motor N/A</u>	<u>74510-0640</u>	1	29	Flex Plate N/A	74510-2159	1	53	Wing Nut N/A	8001-0317	1
5	<u>3A Gearbox</u>	<u>74580-9269</u>	1	30	.354 Cap Nut	0801-0604	6	54	Seat N/A	80067-0019	1
6	<u>Main Wiring Harness N/A</u>	<u>76115-9799</u>	1	31	Pivot Pin N/A	76108-4429	1	55	Cover Panel N/A	80010-0292	1
7	Footboard Assy.	76108-9159	1	32	False Motor Support N/A	80021-0074	1	56	Gas Cap (N/A)	80001-0291	1
8	Front Wheel N/A	76266-2459	1	<u>33</u>	<u>Motor Drive Gear</u>	<u>74550-2269</u>	1	57	#8 x 1/2" Plascrow	0801-0202	5
9	Rear Wheel N/A	76188-2459	2	<u>34</u>	<u>Support Rod (Rear Motor) (N/A)</u>	<u>76108-2129</u>	1	58	Rear Roll Bar N/A	80049-0082	1
10	3A Motor Gearbox Assy N/A.	74510-9519	1	35	Retainer .250 N/A	0801-0322	2	<u>59</u>	<u>#4 Gearbox Insert N/A</u>	<u>76108-2259</u>	1
11	Gun, Laser N/A	76114-9419	1	36	#10 x 1/2" Screw	0801-0255	6				
12	Fairing (N/A)	80001-0325	1	37	Driver	73233-2239	1				
13	* Right Handlebar (N/A)	80029-0053	1	<u>38</u>	<u>Motor Bolts</u>	<u>0801-0269</u>	2				
14	* Left Handlebar (N/A)	80029-0052	1	39	Rear Axle Assembly (N/A)	80046-0169	1				
15	.437 Cap Nut	0801-0226	4	40	Motor Cover	74750-2359	1				
<u>16</u>	<u>Star Washer N/A</u>	<u>0801-0330</u>	2	41	Rear Axle Cover / Inside N/A	80046-0075	1				
17	Handgrips N/A	80028-0030	2	42	Rear Axle Cover / Outside N/A	80046-0076	1				
18	#8 x 1-1/2" Plascrow	0801-0308	2	43	Carriage Bolt N/A	78475-9259A	1				
19	Fork Cover / Right N/A	80001-0295	1		(Order Hardware Bag)	78475-9259A	1				
20	#8 x 3/4" Plascrow	0801-0223	5	44	Cup Spacer N/A	76108-2369	1				
21	Bott Cover for Footswitch N/A	76108-2169	1	45	Spacer N/A	76112-2139	1				
22	#8 x 7/8" Plascrow N/A	0801-0268	1	46	Washer	0801-0196	2				
23	Hex Bushing	73233-2559	4	47	Wheel Bushing	74550-2689	1				
24	Hubcap / Rear N/A	80033-0028	2	48	Axle Bushing (N/A)	80009-0085	2				
25	Support Rod (Footrest) (N/A)	76108-4439	1	49	Retainer w/o Body N/A	0801-0252	2				

**PARTS NOT SHOWN**

Decal Sheet (N/A)	80017-0216	1
Fork Cover / Left N/A	80010-0294	1
Literature Bag N/A	80034-0434	1
False Motor / Left N/A	80021-0017	1
Footrest / Left (N/A)	76108-2179	1
Handlebar Cap Plugs N/A	74510-2169	4



\* See Service Bulletins 130 &

**Bold and Underlined parts are to be purchased and installed by Service Centers only. These items may not be sold directly to consumers by Service Centers or Fisher-Price.**