

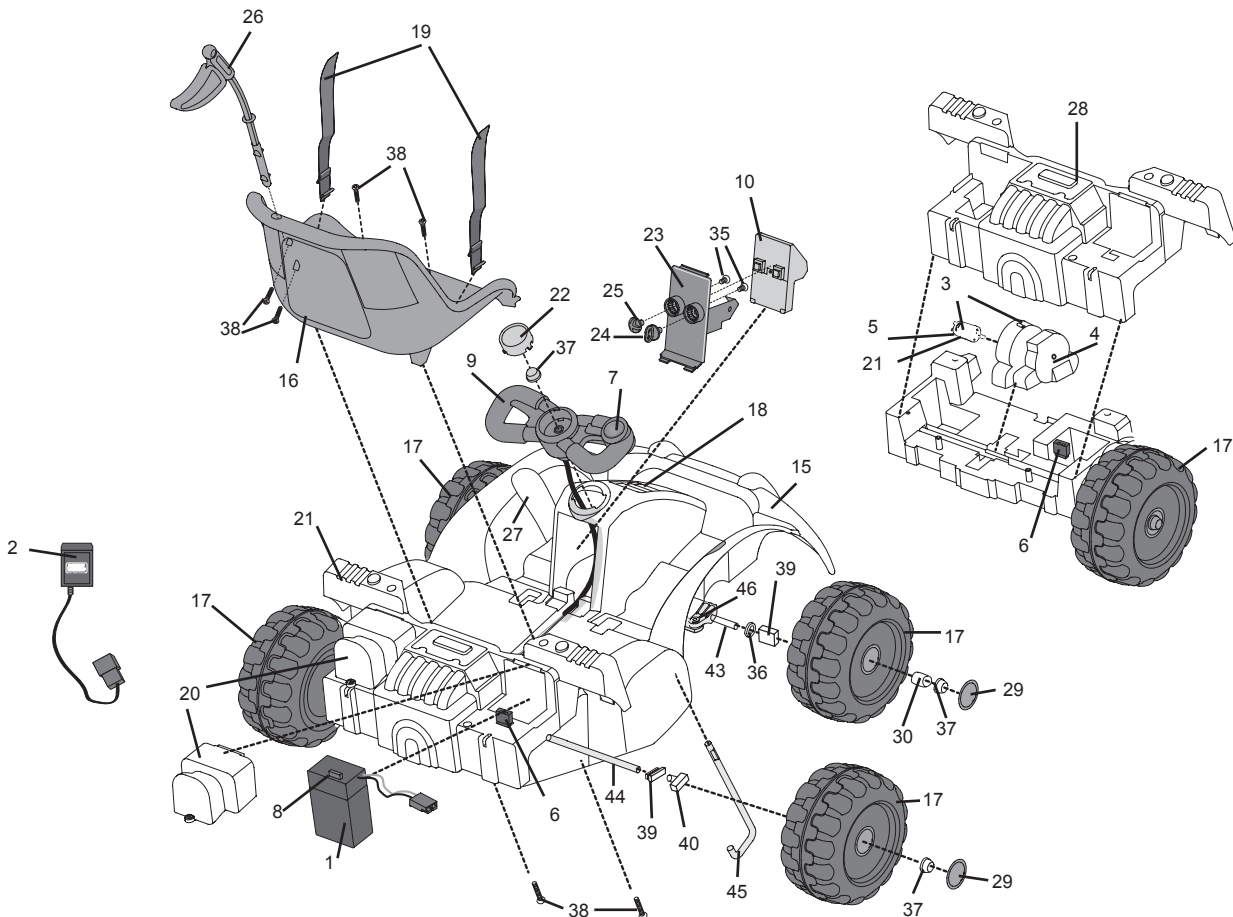
Age Range: 1 to 3 years
 Weight Limit: 40 lbs
 Surfaces: Hard/Grass
 Speed: 2 mph forward
 Colors: Red and Yellow
 Intro: 2002
 Suggested Retail: \$99.99
 Box Dimensions: 11.37 x 24.37 x 30.75
 Warranty



76790-9993 Get Set Go! Kart

Toddler Series 6 Volt

One Year Vehicle
 6 Months Battery



Item No.	Description	Part No.	Qty.	Item No.	Description	Part No.	Qty.	Item No.	Description	Part No.	Qty.
Working / Electrical Parts				28	V-Lever	78560-2419	1	Parts Not Shown			
1	Battery	0801-0336	1	29	Wheel Cover	76790-2349	4	Parts Bag			
2	Charger	00801-0976	1	30	Bushing Retainer Keeper	76790-2129	2	Hardware Parts Bag			
3	Motor Gearbox Assembly	00968-39001	1	Hardware / Metal Parts				Owners Manual			
4	Gearbox W/out Motor	00968-3800	1	35	6 x 3/8 screw	0801-0202	2	Main Decal Sheet			
5	Motor Pinion Assembly	00968-3700	1	36	Washer 5/16	0801-0253	2	Small Decal Sheet			
6	Motor Harness	76790-9699	1	37	.354 White Palnut	0801-0548	1				
7	Switch	00801-1222	1	38	8 x 3/4 screw	0912-8001	6				
8	Fuse	0801-0151	1	39	Rectangular Bushing w/o ext	74504-25494	1				
9	Steering Wheel W/Harness	76790-9209	1	40	Rectangular Bushing w ext	78560-2659	2				
10	Sound Box	76790-9539	1	43	Front Axle	76790-4519	2				
Plastic / Other Parts				44	Rear Axle	76790-4529	1				
15	Body	N/A	1	45	Steering Column	76790-4539	1				
16	Seat Labled	76790-6149	1	46	Steering Linkage Assm.	3800-7042	1				
17	Wheel	76790-2119	4								
18	PW Emblem	74460-9069	1								
19	Seat Belt Set	75547-5519	1								
20	Rear Bumper Cover	76790-2139	2								
21	Motor Cover	76790-2159	1								
22	Steering Wheel Cap	76790-2229	1								
23	Sound Box Cover	76790-2239	1								
24	Key Knob	76790-2249	1								
25	Sound Knob	76790-2259	1								
26	Flag	76790-2269	1								
27	Chassis Cap	76790-2359	2								

N/A = Not Available

Rev. 11/30/05

Bold and Underlined parts are to be purchased and installed by Service Centers only. These items may not be sold directly to consumers by Service Centers or Fisher-Price.