

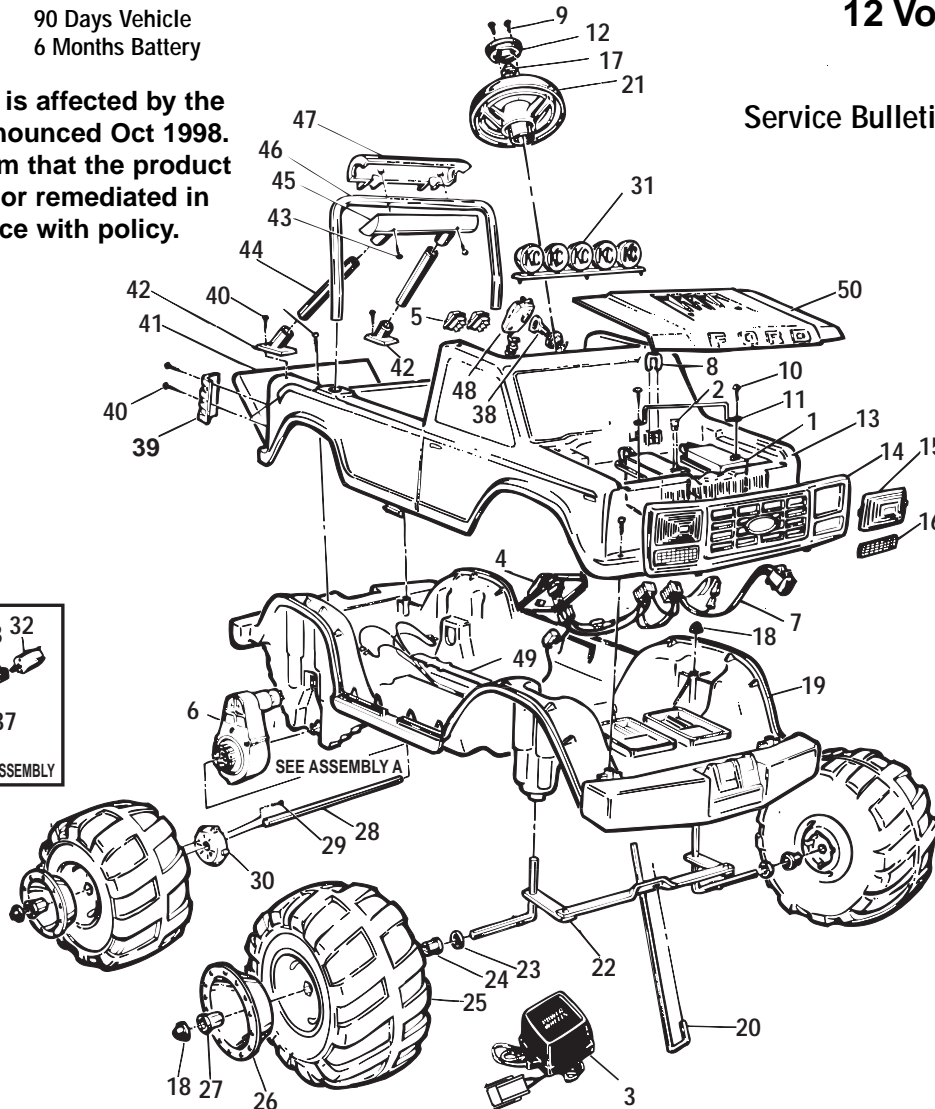
Age Range: 3-7 Yrs.  
 Weight Limit: 65 Lbs.  
 Surfaces: Hard, Grass & Hills  
 Speed: 2.5 / 5.0 MPH  
 Colors: Red Body  
 Intro: 1993  
 Warranty: 90 Days Vehicle  
 6 Months Battery

# 76807-9993 / 86460 Monster

12 Volt

Service Bulletin 138 & 142

This product is affected by the PW recall announced Oct 1998. Please confirm that the product is modified or remediated in accordance with policy.



REV. 02/04/04

Item No.	Description	Part No.	Qty.	Item No.	Description	Part No.	Qty.	Item No.	Description	Part No.	Qty.
1	†Battery	00801-0712	2	22	Steering Linkage (N/A)	78670-4259	1	43	#8 x 1-1/2" Screw	0801-0308	2
2	30 Amp Fuse N/A	0801-0229	2	23	7/16" Washer	0801-0196	4	44	Roll-Bar Support N/A	78670-4239	2
3	†Charger 12 Volt	00801-0973	1	24	Round Bushing	74550-2689	2	45	Roll-Bar Cover (Lower N/A)	78670-2189	1
4	*Footboard Assembly	76817-9159	1	25	Wheel N/A	78471-2469	4	46	Roll-Bar N/A	78670-4219	1
5	†Switch (Hi/Low, Fwd./Rev.)	00801-0923	2	26	Hubcap	74590-2579	4	47	Roll-Bar Cover (Upper) N/A	78670-2179	1
6	3A Motor/Gearbox Assy. w/Insert	74780-9509	2	27	Hex Bushing	73233-2559	4	48	Microphone	73233-9479	1
7	<b>* &amp; † Main Harness N/A</b>	<b>78670-9799</b>	<b>1</b>	28	Rear Axle N/A	80046-0013	1	49	Main Harness Cover N/A	78471-2459	1
8	Battery U-Clip N/A	74570-2669	1	29	#10 x 1/2" Phillips Screw	0801-0255	2	50	Hood (N/A)	80031-0003	1
9	#8 x 1" Phillips PlascREW	0801-0224	2	30	Wheel Driver	73233-2239	2	<b>PARTS NOT SHOWN</b>			
10	#8 x 7/8 PlascREW	0801-0228	6	31	K-C Light Group N/A	78640-9239	1				
11	Battery Retainer	76181-4419	1	32	<b>Motor w/Pinion</b>	<b>74590-9539</b>	<b>2</b>		Twist Lock Clip N/A	78670-0100	1
12	Steering Wheel Cap	74550-2729	1	33	D Lock Washer	0801-0329	2		Literature Bag (N/A)	80034-0461	1
13	Body (Upper) (N/A)	80005-0247	1	34	<b>Motor Drive Gear</b>	<b>74550-2269</b>	<b>2</b>		Antenna	N/A	
14	Grill N/A	78640-2129	1	35	<b>Star Washer N/A</b>	<b>0801-0330</b>	<b>4</b>		Motor Cover N/A	78670-2239	1
15	Headlight Lens Set N/A	76807-2279	1	36	<b>Motor Bolts</b>	<b>0801-0269</b>	<b>4</b>		Decal Sheet (N/A)	80017-0231	1
16	Parking Lens Set (N/A)	78640-2759	1	37	<b>3A Gearbox w/Insert</b>	<b>74580-9269</b>	<b>2</b>		Use & Care Manual N/A	76807-CCCC	1
17	.354 Cap Nut	0801-0604	1	38	Key/Housing Assembly	73233-2439	1				
18	.437 Cap Nut	0801-0226	6	39	Taillight Set (N/A)	80003-0064	1				
19	Body (Lower) (N/A)	80005-0254	1	40	#8 x 1/2" PlascREW	0801-0202	6				
20	Steering Column N/A	78471-4239	1	41	Tailgate N/A	76807-2129	1				
21	Steering Wheel	74440-2379	1	42	Roll-Bar Bracket Set N/A	78670-2199	1				

N/A = Not Available \* See service bulletin 142 † See service bulletin 138

**Bold and Underlined parts are to be purchased and installed by Service Centers only. These items may not be sold directly to consumers by Service Centers or Fisher-Price.**

