

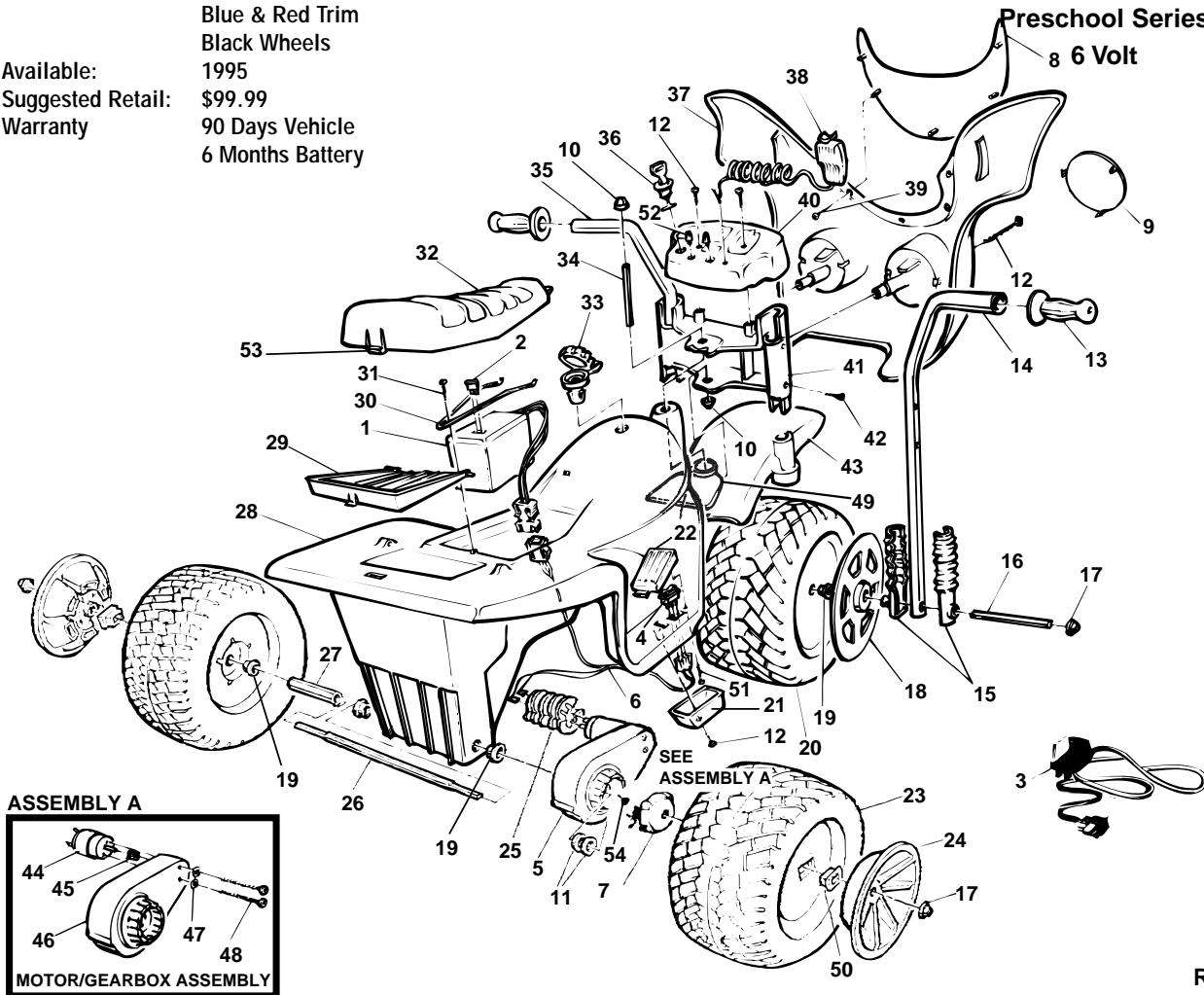
Age Range: 1-1/2 to 4 Yrs.
 Weight Limit: 50 Lbs.
 Surfaces: Hard
 Speed: 2.5 MPH Forward
 Colors: White Body
 Blue & Red Trim
 Black Wheels

Available: 1995
 Suggested Retail: \$99.99
 Warranty: 90 Days Vehicle
 6 Months Battery

service bulletin 157

77410-9993 Mickey Patrol

Preschool Series



REV. 08/28/03

| Item No. | Description | Part No. | Qty. | Item No. | Description | Part No. | Qty. | Item No. | Description | Part No. | Qty. |
|----------|------------------------------|-------------------|------|----------|----------------------|-------------------|------|---------------------------------|---------------------------|------------|------|
| 1 | Battery | 00801-1234 | 1 | 24 | Rear Hubcap N/A | 77410-2589 | 2 | 47 | <u>Star Washer N/A</u> | 0801-0330 | 2 |
| 2 | 25 Amp Fuse | 0801-0151 | 1 | 25 | Motor Cover N/A | 73233-2489 | 1 | 48 | <u>Motor Bolt</u> | 0801-0269 | 2 |
| 3 | Charger | 00801-0975 | 1 | 26 | Rear Axle | 74510-4549 | 1 | 49 | Flex Plate N/A | 74510-2159 | 1 |
| 4 | <u>*Foot Switch</u> | <u>75527-2709</u> | 1 | 27 | Axle Spacer Tube N/A | 74510-4449 | 1 | 50 | Rectangular Wheel Bushing | 77410-2679 | 2 |
| 5 | 3A Motor/Gearbox Assy. | 74780-9509 | 1 | 28 | Body N/A | N/A | 1 | 51 | 1" Screw N/A | 0801-0273 | 1 |
| 6 | <u>Wiring Harness N/A</u> | <u>76112-9799</u> | 1 | 29 | Trunk Lid N/A | 77410-2339 | 1 | 52 | Radio Knobs | 74510-2149 | 2 |
| 7 | Driver N/A | 77410-2239 | 1 | 30 | Battery Retainer | 74510-4439 | 1 | 53 | Lock Fastener | 78570-2439 | 1 |
| 8 | Windshield N/A | 74510-2179 | 1 | 31 | 8 x 7/8" Screw | 0801-0228 | 1 | 54 | Wheel Driver Screw | 0801-0255 | 1 |
| 9 | Lens Cover Set | 74510-9159 | 1 | 32 | Seat (N/A) | 77410-2309 | 1 | PARTS NOT SHOWN | | | |
| 10 | .354 Cap Nut | 0801-0215 | 2 | 33 | Gas Cap N/A | 74510-2649 | 1 | #6-20 x 1" Screw/Swivel Bracket | 0801-0254 | 1s | |
| 11 | 7/16" Washer | 0801-0196 | 2 | 34 | Pivot Pin N/A | 74510-4429 | 1 | 1-1/4" Screw for Flex Plate N/A | 0801-0216 | 2 | |
| 12 | 1-1/2" Screw | 0801-0308 | 5 | 35 | Left Handlebar N/A | 74510-4239 | 1 | Handlebar Plugs N/A | 74510-2169 | 4 | |
| 13 | Handgrip | 74504-2219 | 2 | 36 | Key Housing N/A | 74550-2439 | 1 | Literature Bag N/A | 77410-9029 | 1 | |
| 14 | Right Handlebar N/A | 74510-4219 | 1 | 37 | Fairing | N/A | 1 | Adhesive Harness Clip | 0801-0313 | 1 | |
| 15 | Shock Set N/A | 77410-2089 | 1 | 38 | Microphone | 74550-9479 | 1 | Main Decal Sheet N/A | 77410-0310 | 1 | |
| 16 | Front Axle | 74510-4519 | 1 | 39 | 3/8" Screw N/A | 0801-0219 | 2 | Paper Decal Sheet N/A | 77410-0330 | 1 | |
| 17 | .437 Cap Nut | 0801-0214 | 4 | 40 | Dash N/A | 77410-2719 | 1 | | | | |
| 18 | Front Hubcap | 77410-2579 | 2 | 41 | Swivel Bracket N/A | 74510-2129 | 1 | | | | |
| 19 | Wheel Spacer | 74550-2689 | 5 | 42 | 3/4" Screw | 0801-0223 | 4 | | | | |
| 20 | Front Wheel | 74510-2459 | 1 | 43 | Fender N/A | 77410-2249 | 1 | | | | |
| 21 | Footboard Cover N/A | 77410-2159 | 1 | 44 | <u>Motor N/A</u> | N/A | 1 | | | | |
| 22 | Foot Pedal w/Spring Clip N/A | 77410-9169 | 1 | 45 | <u>Drive Gear</u> | <u>74550-2269</u> | 1 | | | | |
| 23 | Rear Wheel N/A | 74510-2469 | 2 | 46 | <u>Gearbox</u> | N/A | 1 | | | | |

N/A = Not Available

Bold and Underlined parts are to be purchased and installed by Service Centers only. These items may not be sold directly to consumers by Service Centers or Fisher-Price.



* see service bulletin 157