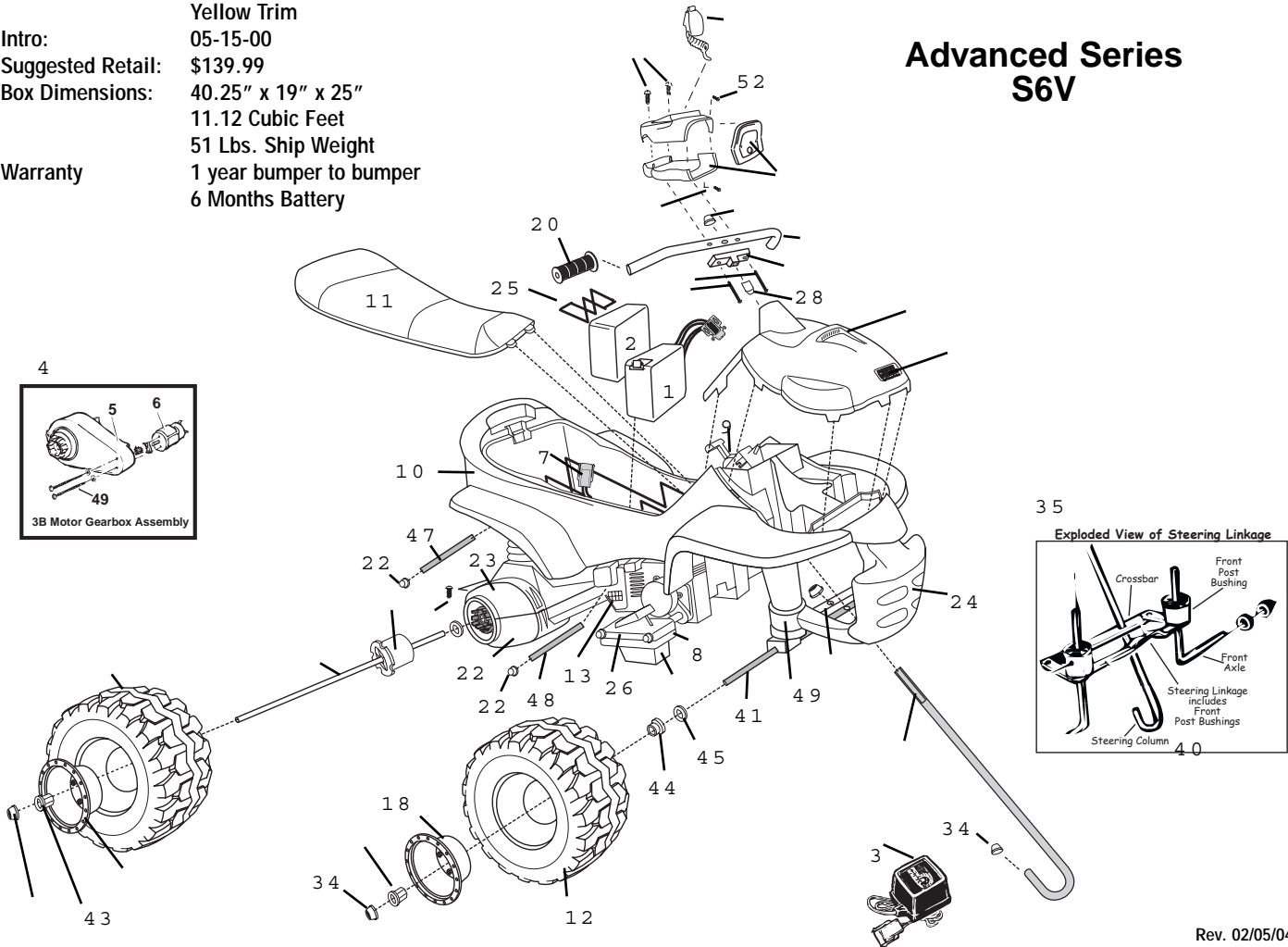


Age Range: 3-7 Yrs.
 Weight Limit: 65 Lbs.
 Surfaces: Hard Surface & Grass
 Speed: 3.5 MPH Forward
 3.5 MPH Reverse
 Colors: Green Body & Black Wheels
 Purple Seat & Console
 Yellow Trim
 Intro: 05-15-00
 Suggested Retail: \$139.99
 Box Dimensions: 40.25" x 19" x 25"
 11.12 Cubic Feet
 51 Lbs. Ship Weight
 Warranty: 1 year bumper to bumper
 6 Months Battery

78473-9993 Kawasaki® Mojave 250

Advanced Series
 S6V



Rev. 02/05/04

Item No.	Description	Part No.	Qty.	Item No.	Description	Part No.	Qty.	Item No.	Description	Part No.	Qty.
Working / Electrical Parts											
1	Battery Super6V 9.5 AmpHr	00801-0712	1	18	Hubcap	74110-2579	4	43	Hex Bushing	73233-2559	4
2	Styrofoam Spacer	75560-0400	1	19	Driver (10 Rib)	74460-2249	2	44	7/16" Round Bushing	74550-2689	2
3	Super 6V Charger	00801-0974	1	20	Handgrip Set N/A	74750-9229	1	45	7/16" Washer	0801-0196	6
4	3B Motor Gearbox Assembly	74180-9519	2	21	PW Emblem	74460-9069	1	46	Cowling Assm.	78473-9099	1
5	Gearbox W/Inset	74550-9279	2	22	Motor Housing Bottom N/A	78473-2159	1	47	Motor Rod Upper N/A	74110-4559	1
6	Motor Pinion Assembly	74580-9539	2	23	Motor Housing Top N/A	78473-2149	1	48	Motor Rod Lower N/A	74110-4569	1
7	Wiring Harness: Motor	78476-9799	1	24	Brushguard	78473-2079	1	49	Upper bushing	74110-2129	2
	Wiring Harness: Shifter	78476-9789	1	25	Battery Retainer	74110-4429	1	50	#8 x 2" screw N/A	0801-0298	2
8	Footboard Assembly	74527-9169	1	26	Footboard / Lower	74110-2179	1	51	#6 x 20 screws N/A	0801-2222	2
9	Shifter w/harness assembly	78476-9779	1	27	Footboard Support N/A	76262-4439	2	52	Screw 3/4 N/A	Order Hardware bag2	
	Shifter Assm.	75547-9439	1	28	Steering Bushing	N/A					
	Lock out Screw	0801-0254	1	Please order Lg Parts Bag							
Plastic / Other Parts											
10	Body (N/A)	78473-2109	1	34	.437 Cap Nut (black)	0801-0226	8	Parts Not Shown			
11	Seat N/A	78473-2309	1	35	Steering Linkage Assm.	74110-9239	1	Large Parts Bag (Molded parts)N/A 78473-9039 1			
12	Wheel	74110-2469	4	36	Crossbar	73690-9649	1	Hardware Bag N/A 78473-9269 1			
13	False Motor Cover / Right N/A	74110-2059	1	37	Handlebar Neck	76816-4289	1	Literature Bag 78473-9029 1			
14	False Motor Cover / Left N/A	74110-2069	1	38	#8 x 3/4" Phillips Screw	0801-0223	19	Owner's Manual 78473-0921 1			
15	Microphone	74527-9479	1	39	Handlebar	75560-4219	1	Main Decal 78473-0310 1			
16	6-20 x 1/2 Pan screw	0801-0222	4	40	Steering Column	74110-4249	1	Small Parts Bag (Purch Parts) N/A 78473-9139 1			
17	Headlight assm	78473-9329	1	41	Front Axle	74110-4509	2	Shifter Switch (singalux) 00801-0923 2			
				42	Rear Axle	74110-4549	1	Adhesive Clip 0801-0313 1			
								Footrest (not shown) 74110-2179 1			
								Hardware Bag N/A 78473-9269 1			

N/A = Not Available

Bold and Underlined parts are to be purchased and installed by Service Centers only. These items may not be sold directly to consumers by Service Centers or Fisher-Price.

