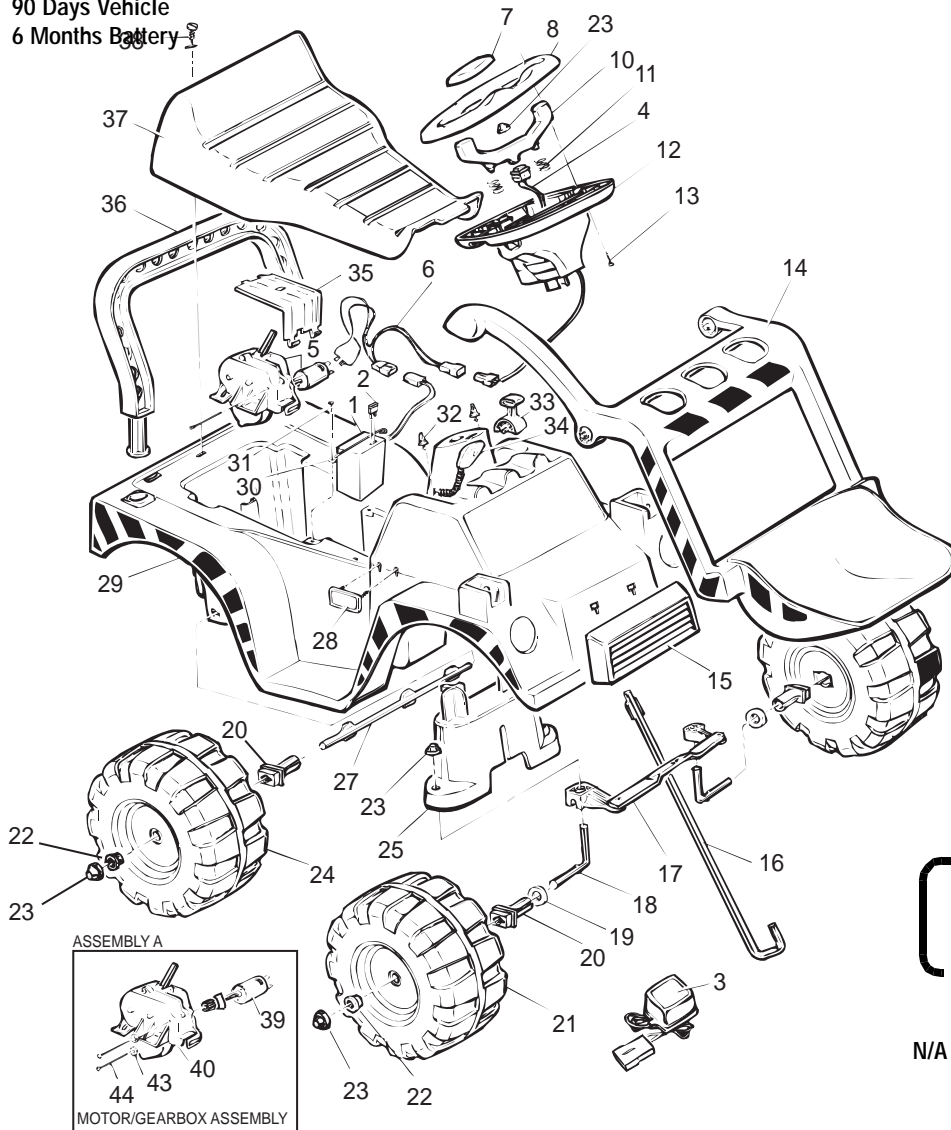


Age Range: 1-3 Years
 Weight Limit: 40 Lbs.
 Surfaces: Hard / Grass
 Speed: 1 MPH
 Colors: Yellow Body
 Black Wheels
 Intro: 5/30/95
 Suggested Retail: \$69.99
 Warranty: 90 Days Vehicle
 6 Months Battery

78560-9993 / 83580

Lil Jake

Toddler Series Mini 6 Volt



N/A Not Available

Rev. 08/07/03

Item No.	Description	Part No.	Qty.	Item No.	Description	Part No.	Qty.	Item No.	Description	Part No.	Qty.
1	Battery 6 Volt (4 Amp)	0801-0336	1	19	5/16" Washer	0801-0253	2	37	Seat N/A	78560-2309	1
2	25 Amp Fuse	0801-0151	1	20	Bushing w/Long Extension	78560-2659	4	38	Lock Fastener	78570-2439	1
3	Charger (4 AH)	00801-0976	1	21	Front Wheel N/A	78560-2469	2	39	<u>Motor w/Pinion</u>	<u>74590-9539</u>	1
4	Switch Assembly	78560-9799	1	22	Wheel Bushing	78560-2679	4	42	<u>Gear Box w/out Motor</u>	<u>72629-9259</u>	1
5	<u>#5 Motor/gearbox Assy</u>	<u>74504-9519</u>	1	23	.354 Retainer	0801-0604	7	PARTS NOT SHOWN			
6	<u>Wiring Harness N/A</u>	<u>78560-9719</u>	1	24	Rear Wheel N/A	78560-2459	2		Decal Sheet N/A	78560-0310	1
7	Steering Wheel Cap N/A	78560-2349	1	25	Module	78560-2189	1		Literature Bag N/A	78560-9029	1
8	Steering Wheel Cover N/A	78560-2339	1	26	Star Washer	0801-0330	2		Bolt (for Scoop) N/A	78560-4459	1
9	Motor Bolt	0801-0269	2	27	Rear Axle	74504-4539	1		Large Parts Bag N/A	78560-9249	1
10	Yoke N/A	78560-2359	1	28	PW Emblem Set	74460-9069	1		Small Parts Bag N/A	78560-9269	1
11	Yoke Spring N/A	78560-4549	2	29	Body N/A	78560-2409	1				
12	Steering Wheel Base	78560-2329	1	30	Battery Retainer	74504-4429	1				
13	1/2" Screw N/A	0801-0274	4	31	#8 x 7/8 Trusshead Screw	0801-0228	2				
14	Scoop N/A	78560-2429	1	32	Radio Knobs	74550-2719	2				
15	Grill N/A	78560-2129	1	33	Shifter	74550-2229	1				
16	Steering Column	74550-4239	1	34	Microphone	74770-9489	1				
17	Steering Linkage N/A	78560-4269	1	35	Motor/Gearbox Cover N/A	78560-2119	1				
18	Front Axle N/A	78560-4509	2	36	Roll Bar N/A	78560-4229	1				

Bold and Underlined parts are to be purchased and installed by Service Centers only. These items may not be sold directly to consumers by Service Centers or Fisher-Price.