



Philips Domestic Appliances and Personal Care

Service Manual

PRODUCT INFORMATION

General:

- Rechargeably / Mains operation
- World-wide automatic voltage selection
- Electronic on/off button
- Washable

Safety information

- This product meets the requirements regarding interference suppression on radio and TV.
- After the product has been repaired, it should function properly and has to meet the safety requirements as officially laid down at this moment.

TECHNICAL INFORMATION

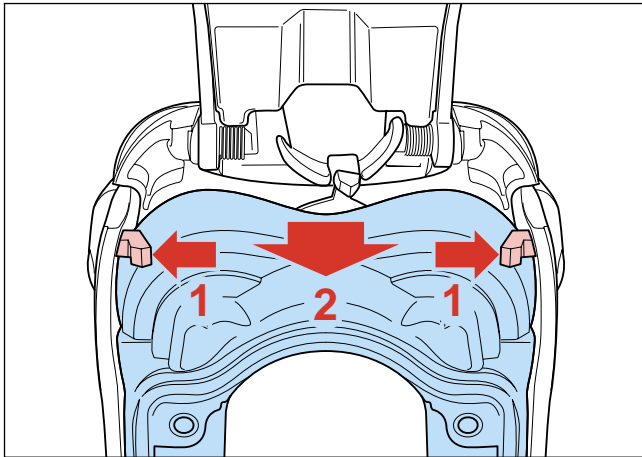
- Voltage : 100 - 240 Volt / 50- 60 Hz
- Motor voltage : 3,6 Volt
- Shaving heads : HQ9 - 4222 036 11150
- Battery : Li-ion
- Display : Multi-purpose LCD
- SAP coding : 9170XL

Shaving Performance:

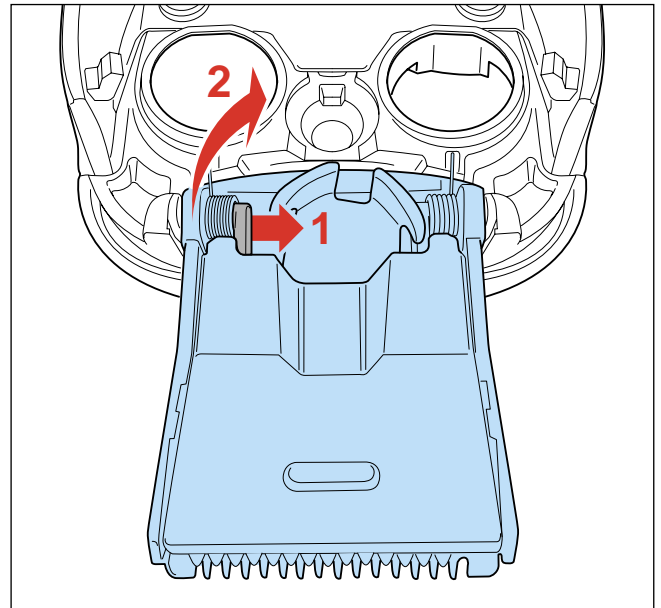
If customers complain about poor shaving performance of the triple-track shaving heads, replacing the driving unit is recommended.

Disassembly:

- Remove shaving unit, to prevent damaging during repairing.
- Remove the two screws (A) on the backside of the shaver.
- Remove the three screws (B) from the innerhousing.
- Remove the mains from the motor by turning and pulling the wires out of the motor.
- Remove the two screws (C) for the hairchamber.



- Bent the sideflaps outside and remove the hairchamber. Think by placing this sideflaps on the nocks.
- Remove driving unit.



- Remove the trimmer from the hairchamber by pushing the black nock by a small screwdriver inside the spring, to the inside.

REPAIR INSTRUCTION

- No specific issues

OPTIONAL (accessories)

- Pouch NOR : 4222 036 11460
- Pouch HE-NOR : 4222 036 11510
- Pouch HE-NOR : 4222 036 11570 GIFT
- Stand : 4222 036 11030
- Car cord : 4222 036 08920
- Washingmachine : 4222 036 11520
- Cleaningroom-assy : 4222 036 11580
- Container-assy : 4222 036 11620
- Container-plug-assy : 4222 036 12320
- Washing machine Jet clean II : 4222 036 14000

PARTS LIST

Pos	Service code	Description
1	4222 036 11360	Housing shell assy
2	4222 036 11020	Stand
3	4222 036 05160	Power plug NOR
4	4222 036 11100	Protection cap Quasar
5	4222 036 11110	Bracket assy
6	4222 036 02770	Brush
7	4222 036 11150	Shaving head 9-series
8	4222 036 11170	Power supply
9	4222 036 11220	Holder assy
10	4222 036 11230	Contour following pin
11	4222 036 11400	Sidegrip assy
12	4222 036 11250	Driving unit 3,6 V

Pos	Service code	Description
13	4222 036 11270	Trimmer assy
14	4222 036 11280	Spacer Li-ion A
15	4222 036 11290	Li-ion battery
16	4222 036 11300	Inlet connector BB
17	4222 036 11310	Cover assy
18	4222 036 11440	Cover shell
A	4822 502 14545	Screw
B	4222 036 11480	Screw (BBM)
C	4222 036 11490	Screw
	4222 036 11510	Pouch
	4222 036 11460	Pouch
	4222 036 11570	Pouch
	4222 036 10860	Clock

■ = changed

