

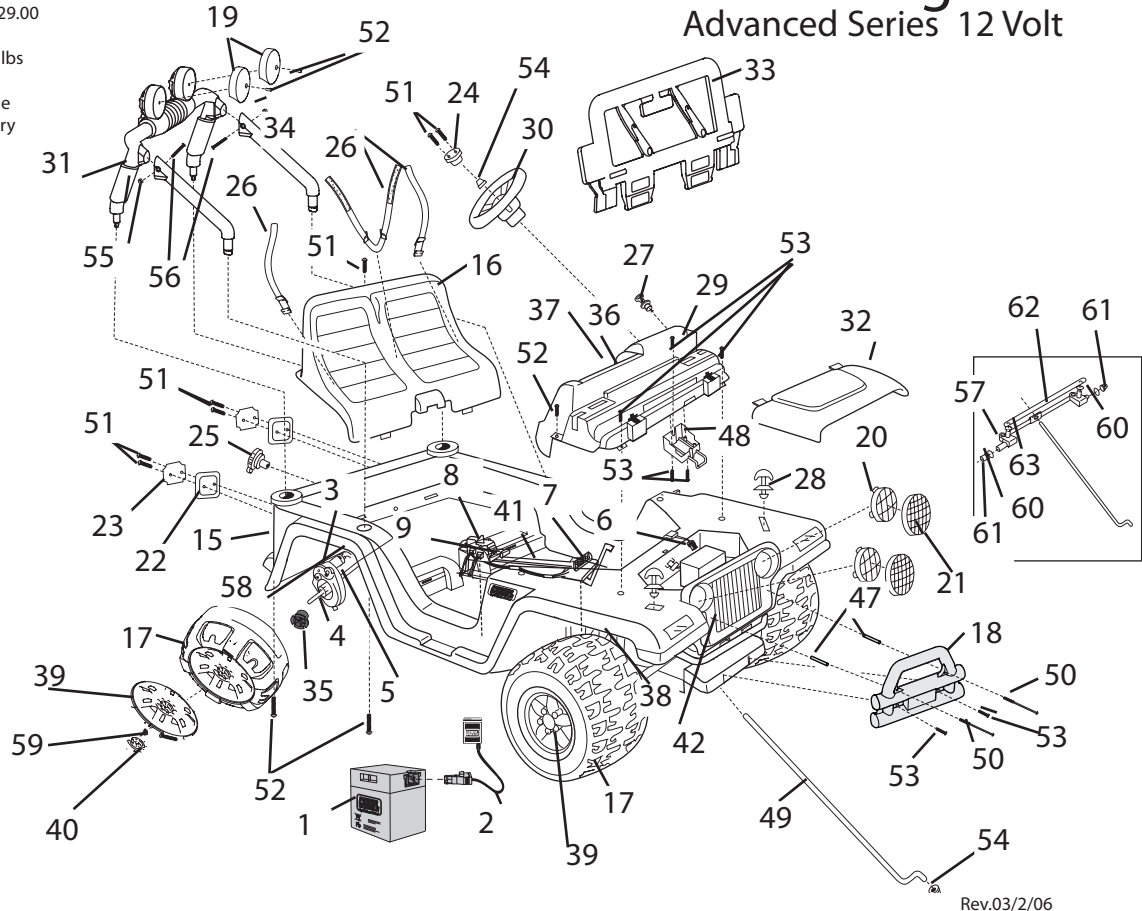
Age Range: 3 and up  
 Weight Limit: 130 lbs  
 Surfaces: Grass/Asphalt/  
 Hard Surfaces  
 Speed: 2.5/5.0 mph FOR  
 2.5 mph REV



# C2390 Jeep Wrangler Restage Advanced Series 12 Volt

Colors: Red Body/  
 Black Wheels & Seat  
 Intro: 2003  
 Suggested Retail: \$229.00  
 Box Dimensions:  
 18.38 x 33.38 x 44.75 67 lbs

Warranty One Year Vehicle  
 6 Months Battery



Rev.03/2/06

Item No.	Description	Part No.	Qty.	Item No.	Description	Part No.	Qty.	Item No.	Description	Part No.	Qty.				
<b>Working / Electrical Parts</b>															
1.	12V Battery	00801-0638	1	27.	Key Assembly	74765-9369	1	53.	#10 X 1" Screw	0801-0220	7				
2.	12V Probe Charger	00801-0972	1	28.	Hood Latch	B1501-9559	2	54.	.354 Cap Nut	0801-0604	2				
3.	Motor Gearbox Assembly	00968-2912	2	29.	Dash Assembly	C2390-9069D	1	55.	# 8 Lock Nut N/A	00801-1277	2				
4.	Gearbox W/out Motor	00968-2802	2	30.	Steering Wheel	74440-2379	1	(Order Hardware Bag)							
5.	Motor Pinion Assembly	00968-2702	2	31.	Roll Bar	B7659-2219	1	56.	#8 -32 X 1.625" Screw N/A	00801-1276	2				
6.	Main Harness Assembly	C2390-9799D	1	32.	Hood	3800-7283	1	(Order Hardware Bag)							
7.	Footboard Assembly	74020-9839D	1	33.	Windshield	B7659-2619	1	57.	Front Axle	B7659-4519	2				
8.	Shifter Assembly	73690-9439	1	34.	Roll Bar Support	B7659-2379	2	58.	Rear Axle	B7659-4529	1				
9.	Shifter w/Harness Assembly	3800-7362	1	35.	Wheel Driver	74460-2249	2	59.	.437 Cap Nut	0801-0227	6				
<b>Plastic / Other Parts</b>															
15.	Body N/A		1	36.	Large Knob	C2390-2629	1	60.	7/16" Washer	0801-0196	4				
16.	Seats	78490-2319	4	37.	Small Knob	C2390-2639	2	61.	7/16 Round Bushing	74550-2689	2				
17.	Wheel	B7659-2459	4	38.	Front Module	C2390-2019	1	62.	Cross Bar	75840-4409	1				
18.	Brushguard	B7659-2189	1	39.	Hubcap	B7659-2469	4	63.	Steering Linkage Assembly	B7659-9419D	1				
19.	Light Cover	C2390-2169	2	40.	Hubcap Cover	B7659-2679	4								
20.	Headlight Lens	74450-2279	2	41.	Channel Cover	B0155-2989	1								
21.	Lens Guard	C2390-2339	2	42.	Grill w/Holes	75598-2849	1								
22.	Taillight Housing Set	73233-2759	1	<b>Hardware / Metal Parts</b>											
23.	Taillight Lens Set	73233-2279	1	47.	Spacer	74460-2069	2	<b>Parts Not Shown</b>							
24.	Steering Wheel Button	74550-2729	1	48.	Battery Retainer	74020-4819	1	Large Parts Bag	C2390-9279	1					
25.	Gas Cap	75597-2089	1	49.	Steering Column	78490-4239	1	Hardware Bag	C2390-9249	1					
26.	Seat Belt Set	74310-5339	1	50.	#8 X 4" Screw N/A	0801-0301	2	Owner's Manual	C2390-0920	1					
								(Order Hardware Bag)							
								Decal Sheet							
								Parts Bag (Hardware/Seatbelt/Spacer)							
								Parts Bag (Dash Assembly)							
								Footswitch (plunger type)							
								00801-0933							
								C2390-9269							
								C2390-9159							
								00801-0933							

N/A = Not Available

**Bold and Underlined parts are to be purchased and installed by Service Centers only. These items may not be sold directly to consumers by Service Centers or Fisher-Price**