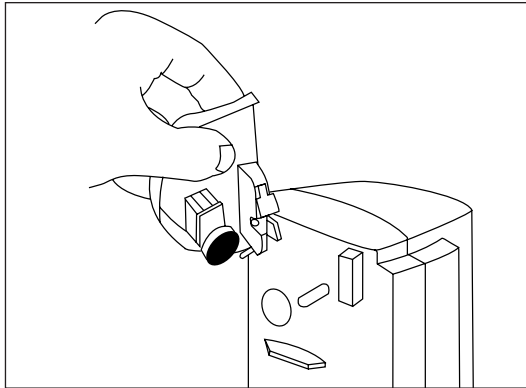


## CLEANING INSTRUCTIONS

1. Be sure the plug has been removed from outlet.
2. Remove can opener lever by lifting and pulling toward you. Wash by hand with hot, sudsy water. Dry thoroughly.
3. Wipe body of can opener with damp cloth. (Caution: Do not immerse in water.)
4. Replace can opener lever by holding in the upright position and snapping it back into place.



## SUGGESTIONS

This can opener will open virtually all standard size cans. It should not be used on cans that have alternate methods of opening (including but not limited to pull-tabs, rolling key and peel-off foil). It also should not be used with rimless cans or cans with angled corners.

Cans with aluminum lids will not adhere to magnet.

If there is a dent in the rim of the can, open other side or place the Power Cut™ blade beyond the dent. If the can opener stalls, use a light touch to turn the can to aid the cutting process.

## LIMITED THREE-YEAR WARRANTY

This warranty supersedes all previous warranties on Cuisinart® Can Opener. This warranty is available to consumers only. You are a consumer if you own a Cuisinart® Can Opener that was purchased at retail for personal, family, or household use. Except as otherwise required under applicable state law, this warranty is not available to retailers or other commercial purchasers or owners. We warrant that your Cuisinart® Can Opener will be free of defects in material or workmanship under normal home use for three years from the date of original purchase. We suggest that you complete and return the enclosed product registration card promptly to facilitate verification of the date of original purchase. However, return of the product registration card does not eliminate the need for the consumer to maintain the original proof of purchase in order to obtain the warranty benefits. In the event that you do not have proof of purchase date, the purchase date for purposes of this warranty will be the date of manufacture.

If your can opener should prove to be defective within the warranty period, we will repair it or, if we think it necessary, replace it. To obtain warranty service, please call our Consumer Service Center toll-free at 1-800-726-0190 or write to:

**Cuisinart, 150 Milford Road, East Windsor, NJ 08520**

To facilitate the speed and accuracy of your return, please enclose \$10.00 for shipping and handling of the product. Please also be sure to include a return address, daytime phone number, description of the product defect, product serial number (stamped on bottom of product base), and any other information pertinent to the product's return. Please pay by check or money order. (California residents need only supply proof of purchase and should call 1-800-726-0190 for shipping instructions).

**NOTE:** For added protection and secure handling of any Cuisinart® product that is being returned, we recommend you use a traceable, insured delivery service. Cuisinart cannot be held responsible for in-transit damage or for packages that are not delivered to us. Lost and/or damaged products are not covered under warranty.

Your Cuisinart® Can Opener has been manufactured to strict specifications and has been designed for use with the Cuisinart® Can Opener accessories and replacement parts. These warranties expressly exclude any defects or damages caused by accessories, replacement parts, or repair service other than those that have been authorized by Cuisinart. These warranties do not cover any damage caused by accident, misuse, shipment, or other than ordinary household use. These warranties exclude all incidental or consequential damages. Some states do not allow the exclusion of or limitation of incidental or consequential damages, so the foregoing limitation may not apply to you.

## CALIFORNIA RESIDENTS ONLY

California law provides that for In-Warranty Service, California residents have the option of returning a nonconforming product (A) to the store where it was purchased or (B) to another retail store which sells Cuisinart® products of the same type. The retail store shall then, according to its preferences, either repair the product, refer the consumer to an independent repair facility, replace the product, or refund the purchase price less the amount directly attributable to the consumer's prior usage of the product. If either of the above two options does not result in the appropriate relief to the consumer, the consumer may then take the product to an independent repair facility if service or repair can be economically accomplished.

\*Cuisinart and not the consumer will be responsible for the reasonable cost of such service, repair, replacement, or refund for nonconforming products under warranty. California residents may also, at their preference, return nonconforming products directly to Cuisinart for repair or, if necessary, replacement by calling our Consumer Service Center toll-free at 1-800-726-0190. Cuisinart will be responsible for the cost of the repair, replacement, and shipping and handling for such nonconforming products under warranty.

## BEFORE RETURNING YOUR CUISINART PRODUCT

If you are experiencing problems with your Cuisinart® product, we suggest that you call our Consumer Service Center at 1-800-726-0190 before returning the product for servicing. Often, our Consumer Service Representatives can help solve the problem without having the product serviced. If servicing is needed, a Representative can confirm whether the product is under warranty and direct you to the nearest service location.

**\*Important:** If the nonconforming product is to be serviced by someone other than Cuisinart's Authorized Service Center, please remind the servicer to call our Consumer Service Center at 1-800-726-0190 to ensure that the problem is properly diagnosed, the product is serviced with the correct parts, and to ensure that the product is still under warranty.

© 2005 Cuisinart Cuisinart® is a registered trademark of Cuisinart  
150 Milford Road, East Windsor, NJ 08520  
Printed in China CCO40 05CU26062

U IB-3699BFT

# Cuisinart®



## Can Opener

## Instruction Booklet CCO-40 Series

## IMPORTANT SAFEGUARDS

When using electrical appliances, basic safety precautions should always be followed including the following:

1. **READ ALL INSTRUCTIONS.**
2. To protect against risk of electrical shock do not immerse cord, plug or can opener in water or other liquid.
3. Close supervision is necessary when any appliance is used by or near children.
4. Unplug from outlet when not in use, before putting on or taking off parts, and before cleaning.
5. Avoid contacting moving parts.
6. Do not operate any appliance with a damaged cord or plug or after the appliance malfunctions, or is dropped or damaged in any manner. Return appliance to the nearest authorized Cuisinart service facility for examination, repair or mechanical/electrical adjustment.
7. The use of attachments not recommended or sold by Cuisinart may cause fire, electrical shock, or risk of injury.
8. Do not use outdoors.
9. Do not let cord hang over edge of table or counter, or touch hot surfaces.
10. Do not open pressured (aerosol type) cans.
11. Do not open cans of flammable liquids such as lighter fluid.
12. Do not use can opener for other than intended use.
13. Do not leave unattended while in use.
14. This appliance is intended for household use only and not for commercial or industrial use.
15. Caution: Do not immerse in water.

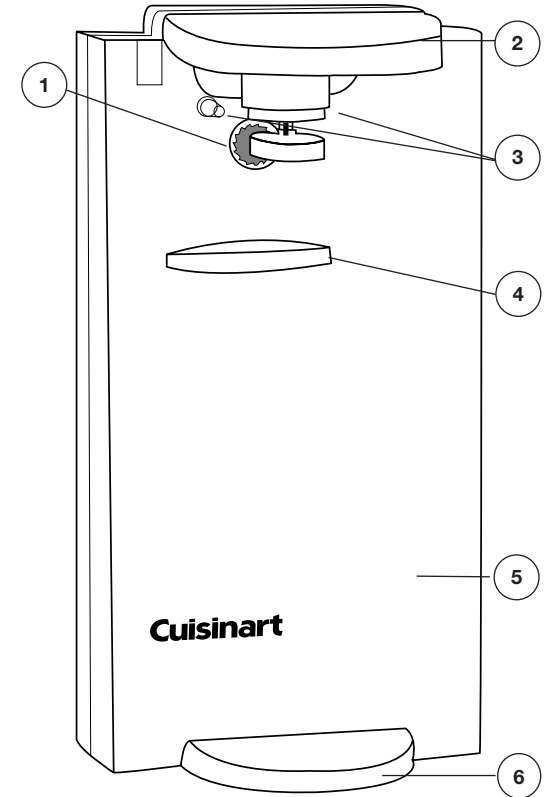
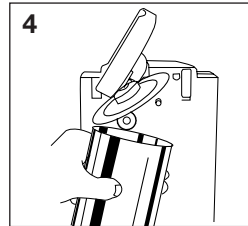
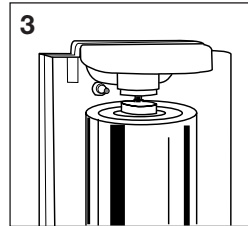
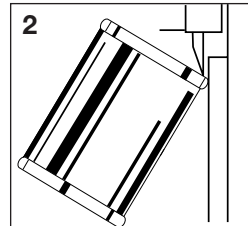
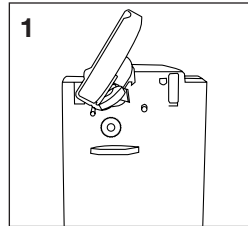
**FOR HOUSEHOLD USE ONLY  
SAVE THESE INSTRUCTIONS**

## NOTICE

This appliance has a polarized plug (one blade is wider than the other). As a safety feature, this plug will fit in a polarized outlet only one way. If the plug does not fit fully in the outlet, reverse the plug. If it still does not fit, contact a qualified electrician. Do not attempt to defeat this safety feature.

## OPERATING INSTRUCTIONS

1. Plug cord into outlet.
2. Raise can opener lever.
3. Position the can under the guiding posts and lower the lever, making sure the Power Cut™ blade is positioned inside the rim of the can.
4. Once the Power Cut™ blade pierces the can, cutting begins. There is no need to hold the lever down during cutting.
5. Cutting action will automatically stop once can is completely open.
6. Can will remain in position until lever is lifted.
7. To remove can, hold can firmly with one hand while lifting lever with the other.
8. Carefully remove lid from magnet.



1. Power Cut™ Blade Assembly
2. Can Opener Lever
3. Guiding Posts
4. Can Stop
5. Can Opener Body
6. Base

Version no.: CCO40 IB-3699BFT

SIZE: 89mm(W) x 172mm(H)  
Total Pages : 6pcs

Material: 120gsm Gloss Artpaper

Coating:

Color: 4C + 1C

Date: 04/15/05

P. O.: 0504000 (04/00/2005\_OP)



新成色製版公司  
Classic Graphic Arts Company

Tel: 2357 0071

Fax: 2357 0318