

**TOASTER CTM2023/4023**

Instructions for use



**TOASTER CTM2023/4023**

Mode d'emploi



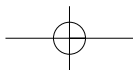
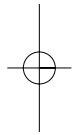
**TOASTER CTM2023/4023**

Instrucciones para el uso

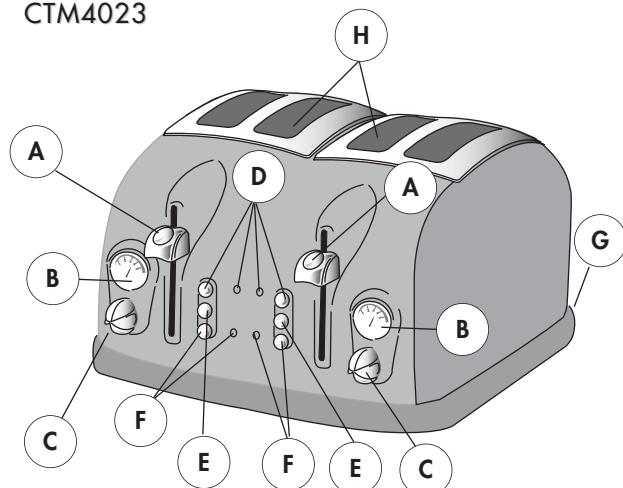


**TOSTER CTM2023/4023**

Istruzioni per l'uso



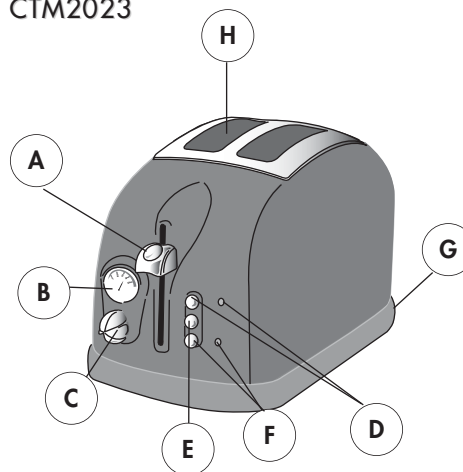
CTM4023



**DESCRIPTION OF APPLIANCE**

- A) ON/ lift lever
- B) Browning gauge
- C) Browning control
- D) Indicator light and "Defrost" button
- E) Cancel button
- F) Indicator light and "Reheat" button
- G) Crumb collection tray
- H) Bread toasting slots

CTM2023



**DESCRIPTION DE L'APPAREIL**

- A) Levier de mise en marche
- B) Indicateur degré de grillage
- C) Bouton de réglage du degré de grillage
- D) Voyant lumineux et bouton poussoir "Defrost"
- E) Bouton poussoir Stop/Clear
- F) Voyant lumineux et bouton poussoir "Reheat"
- G) Tiroir ramasse-miettes
- H) Ouvertures de chargement



**DESCRIPCION DEL APARATO**

- A) Palanca encendido
- B) Visor grado de tostado
- C) Manopla regulación grado de tostado
- D) Señal luminosa y pulsador "defrost"
- E) Pulsador stop/clear
- F) Señal luminosa y pulsador "reheat"
- G) Bandeja recoge migas
- H) Bocas de carga



**DESCRIZIONE DELL'APPARECCHIO**

- A) Leva accensione
- B) Indicatore grado di tostatura
- C) Manopola regolazione grado di tostatura
- D) Spia e pulsante "defrost"
- E) Pulsante stop/clear
- F) Spia e pulsante "reheat"
- G) Vassoio raccoglibriciole
- H) Bocche di caricamento

Technical Data	See rating label
----------------	------------------

Datos técnicos	véase placa de características
----------------	--------------------------------

Donnees Techniques	voir plaquette données
--------------------	------------------------

Dati tecnici	vedi targa caratteristiche
--------------	----------------------------



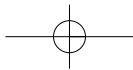
## IMPORTANT SAFEGUARDS

When using electrical appliances, basic safety precautions should always be followed, including the following:

1. Read these instructions before using your toaster and keep them in a safe place for future reference. If you pass the toaster on to anyone else you should also pass on the instructions.
2. Remove all packaging before using the product, but keep the packaging until you are satisfied that the product is operating correctly.
3. In common with other portable electrical appliances this toaster must never be put in water, used in a bathroom or used near water contained in a bath-tub, basin or any other vessel. Do not use outdoors.
4. Position the toaster on a firm, level, heat-resistant surface, close to a power socket and out of the reach of children.
5. The toaster must not be used near or below curtains or other combustible materials and it must be watched, as bread if overcooked can catch fire.
6. The area around the toasting slots will become hot during use. Do not touch these surfaces.
7. When using only one toast slot, do not allow anything to enter the other slot(s), as all slots are "on" when the On/lift lever is lowered.
8. Do not allow the toasting slot to become covered during toasting.
9. Do not toast "buttered" items, and don't make toasted sandwiches in the toaster, as this will create a fire hazard.
10. Pitta bread, waffles and similar products are unsuitable for use in an automatic toaster as they may expel fats on to the elements, creating a fire hazard.
11. Do not use torn, curled up, or misshapen slices of bread, as these may jam the eject mechanism.
12. Should the On/lift lever become jammed during the toasting cycle do not attempt to release it. Unplug the toaster and allow it to cool down before carefully removing the bread. Do not use a knife, fork or other sharp implement as this may cause damage to the elements.
13. Do not let cord hang over edge of table or counter, or touch hot surfaces.
14. After use, unplug the toaster and let it cool down fully before cleaning and storing away.
15. Clean the crumbs out of your toaster frequently. This will avoid a build up of crumbs which could cause a fire hazard (see "Care and cleaning").
16. Do not operate the toaster unless the crumb tray is correctly fitted.
17. Do not let the power cord touch any hot surfaces.
18. Do not use accessories or attachments other than those provided by the manufacturer.
19. Do not use the toaster for any purpose other than those described in these instructions.
20. Do not operate this appliance after it malfunctions or if power cord or plug is damaged. There are no user-serviceable parts. The appliance must be returned for repair or replacement in order to avoid hazard (see "AFTER SALES SERVICE").

## HOUSEHOLD USE ONLY SHORT CORD INSTRUCTIONS

- A short power cord is provided to reduce risks resulting from becoming entangled in or tripping over a longer cord.
- Longer, detachable power supply cords or extension cords are available and may be used if care is exercised in their use.
- If an extension cord is used, the marked electrical rating should be at least as great as the electrical rating of the appliance. If the appliance is provided with 3-wire, grounding type cord, the extension should be a GROUNDING TYPE 3 - WIRE CORD. The longer cord should be arranged so that it will not drape over the counter-top or table top where it can be pulled on by children or tripped over.
- Your product is equipped with a polarized alternating current line plug (a plug having one blade wider than the other). This plug will fit into the power outlet only one way. This is a safety feature. If you are unable to insert the plug fully into the outlet, try reversing the plug. If the plug should still fail to fit, contact your electrician to replace your obsolete outlet. Do not defeat the safety purpose of the polarized plug.



## INSTRUCTIONS FOR USE

### USE OF THE COMMANDS

*This appliance is used as if there were two distinct units.*

- Make sure that the lever (**A**) is raised and the dial (**C**) is set for a medium toasting level.
- Connect the appliance to the electrical outlet. **In order to eliminate the "new" smell at the first use, operate the appliance without any food inside for at least 5 minutes. Aerate the room during this operation.**
- Insert the slices of bread into the bread toasting slots (**H**) and lower the lever (**A**) until it is all the way down.  
Note: If the appliance is not connected to the electrical outlet, the lever will not go all the way down.
- When the toasting is finished, the lever returns to the up position, raising the toasted bread slices at the same time.
- If the bread is not sufficiently toasted, select a darker degree of toasting by turning the dial (**C**). If it is too dark, select a lesser degree of toasting.
- The toasting can be interrupted at any time by simply pressing the cancel button (**E**).

### Defrost function

You may toast slices of frozen bread by pressing the defrost button (**D**) immediately after having lowered the lever (**A**); the cooking cycle will be lengthened in order to achieve the desired toasting level. The red indicator light will remain on while the defrost function is in use.

### Using the Reheat Button:

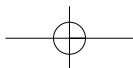
Press down control lever and press the reheat button (**F**). The reheat light will remain on while the reheat function is in use. Please note that this is a fixed reheat time which cannot be adjusted by the browning control.

### SUGGESTIONS

- Never use the appliance when it is empty (when there is no bread inserted).
- Do not use very thin or broken slices of bread.
- Do not insert other foods that may drip during the cooking process. In addition to making the cleaning procedure more difficult, these may cause fires. It is also very important to clean the crumb collection tray of any drippings before each use.
- Do not insert (by force) foods that are too big for the slots.
- **Do not insert forks or other utensils into the toaster in order to remove bread**, in so far as it may damage the resistance coils of the appliance. Remove the plug from the outlet and turn the appliance over, gently shaking it to remove the lodged item.

### CLEANING AND MAINTENANCE

- Any cleaning and/or maintenance operation must be done after having removed the plug from the electrical outlet.
- Let the appliance cool down before proceeding with its cleaning.
- The external part of the appliance must be cleaned with soft cloth. Do not use abrasive detergents which could ruin the surface.
- DO NOT IMMERSE IN WATER.
- After each use, remove the plug from the electrical outlet and empty the crumb collection tray which is situated under the appliance.
- If a toast slice should become lodged in the toaster, unplug the appliance, turn it upside down, and shake the toaster gently.
- NEVER TOUCH ANY PART OF THE TOASTER WITH SHARP UTENSILS, ESPECIALLY INSIDE THE BREAD TOASTING SLOTS.





## LIMITED WARRANTY

### What does the warranty cover?

We warrant each appliance to be free from defects in material and workmanship. Our obligation under this warranty is limited to repair at our factory or authorized service center of any defective parts or part thereof, other than parts damaged in transit. In the event of a products replacement or return, the unit must be returned transportation prepaid. The repaired or new model will be returned at the company expense.

This warranty shall apply only if the appliance is used in accordance with the factory directions, which accompany it, and on an Alternating current ( AC ) circuit.

### How long does the coverage last?

This warranty runs for one year ( 1 ) from the purchase date found on your receipt and applies only to the original purchaser for use.

### What is not covered by the warranty?

The warranty does not cover defects or damage of the appliance, which result from repairs or alterations to the appliance outside our factory or authorized service centers, nor shall it apply to any appliance, which has been subject to abuse, misuse, negligence or accidents. Also, consequential and incidental damage resulting from the use of this product or arising out of any breach of contract or breach of this warranty are not recoverable under this warranty. Some states do not allow the exclusion or limitation of incidental or consequential damage, so the above limitation may not apply to you.

### How do you get service?

If repairs become necessary please contact our toll free hotline at **1-800-322-3848** or log onto our website at **www.delonghi.com**.

For all accessories, spare parts or replacement parts, please contact our parts division at **1-800-865-6330**.

The above warranty is in lieu of all other express warranties and representations. All implied warranties are limited to the applicable warranty period set forth above. This limitation does not apply if you enter into an extended warranty with De'Longhi. Some states do not allow limitations on how long an implied warranty lasts, so the above exclusions may not apply to you. De'Longhi does not authorize any other person or company to assume for it any liability in connection with the sale or use of its appliance.

### How does state law apply?

This warranty gives you specific legal rights, and you may also have other rights, which vary from state to state.