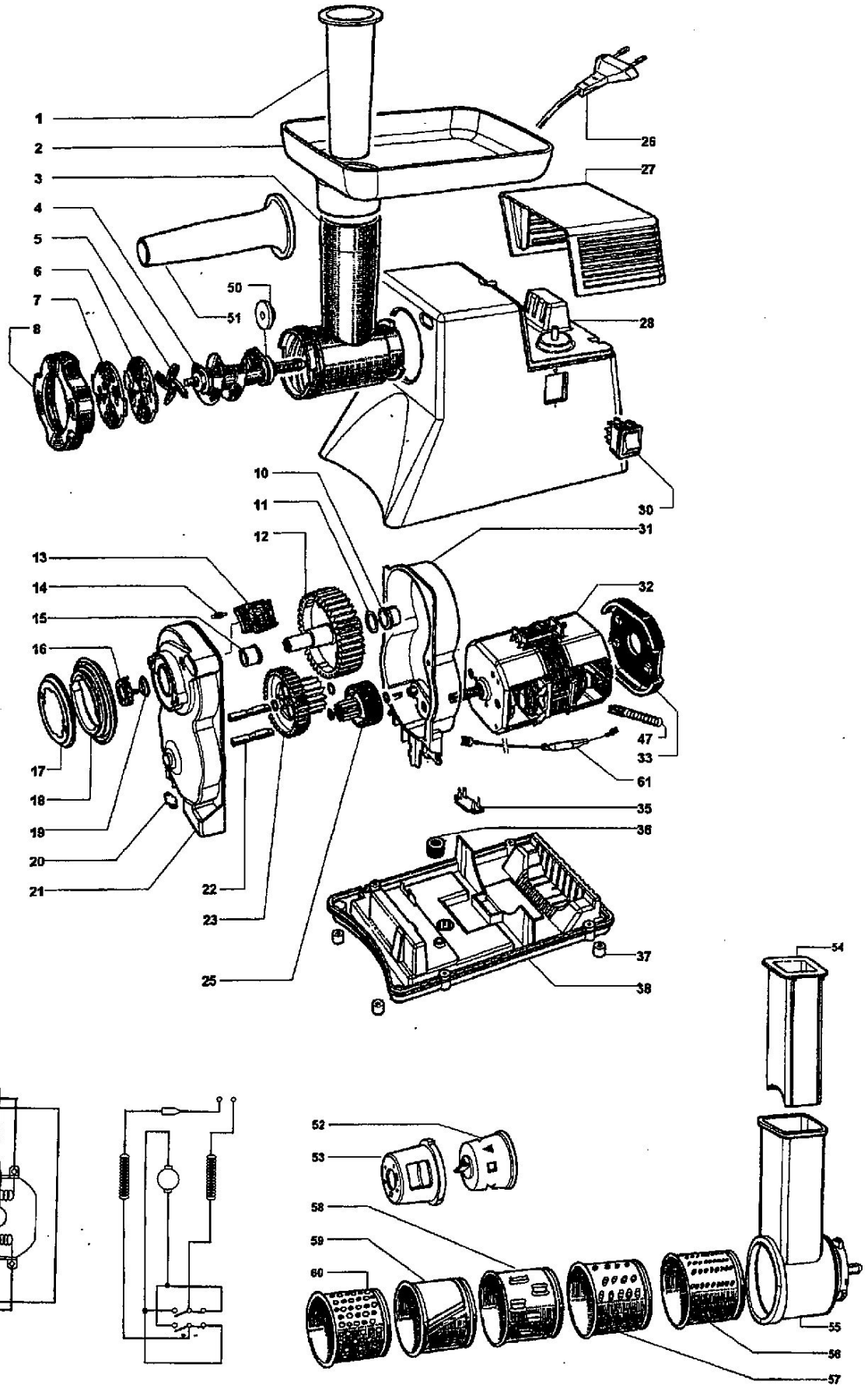


This Exploded Drawing is for Informational Purposes Only. No Technical Support or Installation Instructions are Available. If you do not see the part you are looking for on our website, please email partsrequest@smallappliance.com for assistance.

KRUPS

BUTCHER SHOP PREMIUM

TYPE: GVM211



KRUPS

BUTCHER SHOP PREMIUM

TYPE: GVM211

REFERENCE#	PART#	DESCRIPTION
1	5775641	PUSHER
2	5775636	FEED TRAY
3	0692106	BODY
4	0695960	SCREW
5	ADR901	STARCUTTER
6	0693286	FINE GRILL
7	4775476	COARSE GRILL
8	0692107	MINCER NUT
10	4775458	GEARING
11	4764057	WASHER
12	5775439	DRIVE
13	5775639	LOCK
14	4775473	SPRING
15	0239108	GEARING
16	4801038	GEARING PROTECTION
17	4775477	BRACKET
18	4775555	MOUNTING RUBBER
19	4801060	JOINT
20	4704509	CLAMP
21	4775454	LID
22	4775465	AXLE
23	4775456	GEAR
25	4775455	GEAR
26	0611461	POWER CORD
27	5775594	FASCIA
28	5775647	BODY
30	0661254	SWITCH
31	4775453	BODY
32	5581248	MOTOR
33	4801062	MOUNTING RUBBER
35	5882651	PCB
36	0698159	MOUNTING RUBBER
37	0698309	FOOT
38	5775646	BASE
47	0246034	BRUSH
50	4775459	BEARING
51	4775316	SAUSAGE ATTACHMENT
52	4775317	PASTRY MAKER INNER
53	4775318	PASTRY MAKER OUTER
54	4775313	VEGETABLE PUSHER
55	5775312	GRATER HOUSING
56	5775308	SLICER DRUM
57	5775306	COARSE SHREDDER DRUM
58	5775309	ICE CRUSHER DRUM
59	5775307	FINE SHREDDER CONE
60	A09C03	PARMESAN GRATING DRUM
61	0217307	FUSE