

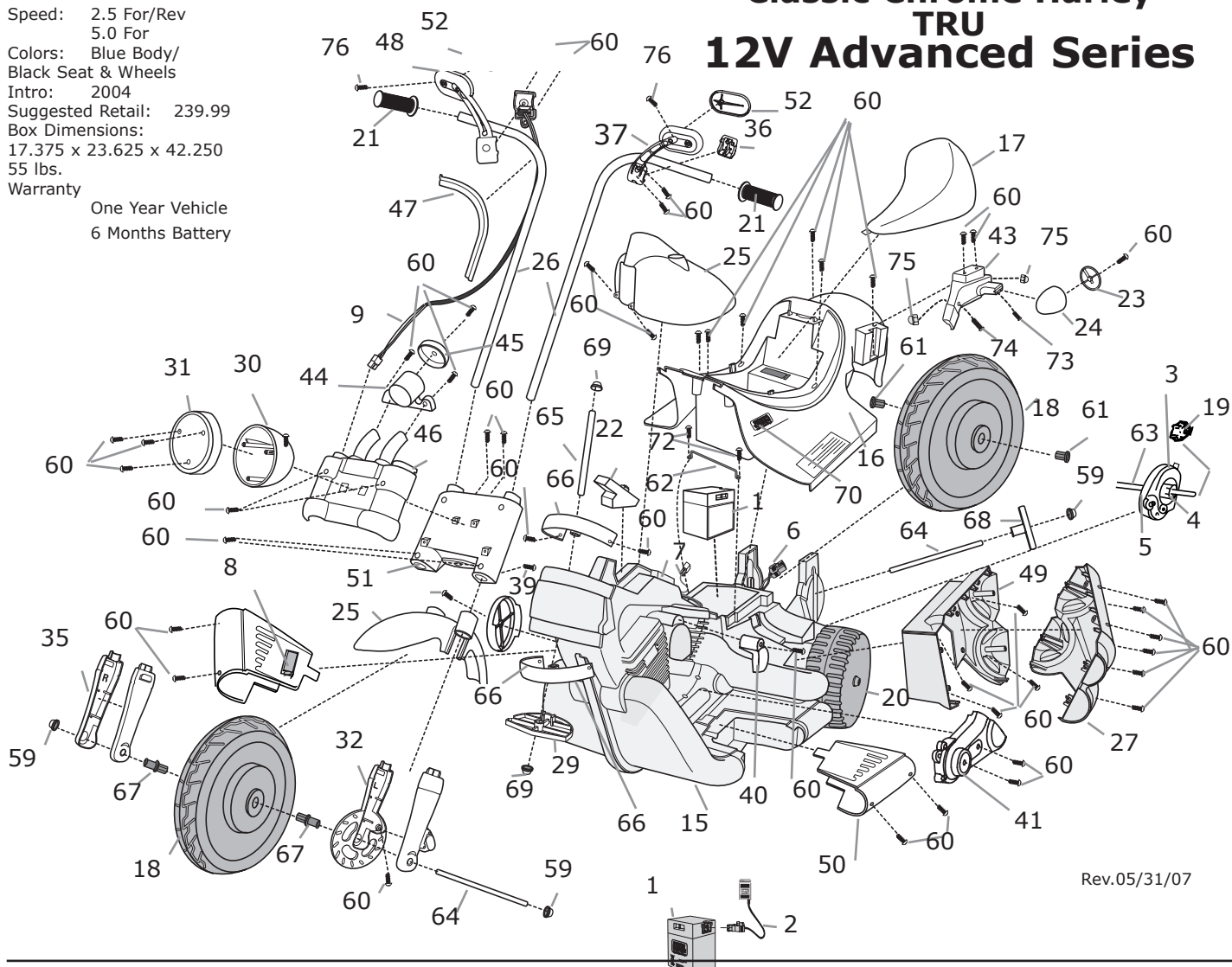
Age Range: 3 and up  
 Weight Limit: 65 lbs.  
 Surfaces: Grass/ Asphalt &  
 Other Hard Surfaces



H4808

Classic Chrome Harley  
 TRU  
 12V Advanced Series

Speed: 2.5 For/Rev  
 5.0 For  
 Colors: Blue Body/  
 Black Seat & Wheels  
 Intro: 2004  
 Suggested Retail: 239.99  
 Box Dimensions:  
 17.375 x 23.625 x 42.250  
 55 lbs.  
 Warranty  
 One Year Vehicle  
 6 Months Battery



Rev.05/31/07

Item No.	Description	Part No.	Qty. Item	Part	No. Qty.	Description	No.			
<b>Working / Electrical Parts</b>										
1.	12V Battery	00801-0638	1							
2.	12V Charger w/Probe	00801-0972	1							
<b>3.</b>	<b>Motor Gearbox Assembly</b>	<b>00968-2901</b>	<b>2</b>							
<b>4.</b>	<b>Gearbox W/out Motor</b>	<b>00968-2801</b>	<b>2</b>							
<b>5.</b>	<b>Motor Pinion Assembly</b>	<b>74290-9539</b>	<b>2</b>							
<b>6.</b>	<b>Main Harness Assembly</b>	<b>74287-9799</b>	<b>1</b>							
7.	Control Switch	00801-0873	1							
8.	Footboard Assembly	H0638-9239	1							
9.	Handlebar Harness	H0638-9759	1							
<b>Plastic / Other Parts</b>										
15.	Vehicle Frame	N/A	1							
16.	Vehicle Body Assembly	N/A	1							
17.	Seat	74290-2309	1							
18.	Wheel (Large)	74290-2159	2							
19.	Driver	73233-2239	2							
20.	Drive Wheel	74290-2269	2							
21.	Handgrip	74290-2399	2							
22.	Soundbox	74290-9559	1							
23.	Signal Lens	B3160-2639	2							
24.	Signal Housing	3800-7510	2							
25.	Fender & Gas Tank (Bagged)	3800-7672	1							
26.	Handlebar Set	H0638-6059D	1							
27.	Left Outer Exhaust	3800-7478	1							
29.	Steering Stop	H0638-2369	1							
<b>Hardware / Metal Parts</b>										
30.	Headlight Housing	3800-7480	1			67.	Hex Bushing	73233-2559	2	
31.	Headlight Lens	3800-7482	1			68.	Axle Bushing	H0638-2379	2	
32.	Inside Shocks L/R (Bagged)	H0638-9079	1			69.	.354 Cap Nut	0801-0604	2	
35.	Outside Shocks L/R (Bagged)	H0638-9089	1			70.	PW Emblem	G3740-9069	N/A	1
36.	Mirror Clamp	3800-7494	1			72.	Battery Screws	00912-8001	2	
37.	Left Mirror	3800-7496	1			73.	#8-32 x 1 5/8 Screw N/A	00801-1276	2	
39.	Air Cleaner Cover	3800-7500	1				(Order Hardware Bag)			
40.	Horn	3800-7502	1			74.	#8-32 x 3/4 Screw N/A	00801-1284	2	
41.	Primary Cover	3800-7504	1				(Order Hardware Bag)			
43.	Left Strut	3800-7508	1			75.	#8-32 Acorn Nut N/A	00801-1277	4	
44.	Tachometer Housing	3800-7512	1				(Order Hardware Bag)			
45.	Tachometer Cover	3800-7514	1			76.	#8 x 1/2 Screw	0801-0202	4	
46.	Front Fork Cover	3800-7516	1			<b>Parts Not Shown</b>				
47.	Wire Cover	3800-7518	1			Large Parts Bag	H0638-9249	1		
48.	Right Mirror	3800-7520	1			Small Parts Bag #1	H4808-9259	1		
49.	Left/Right Inner Exhaust Bag	3800-7537	1			Small Parts Bag #2 (grip/hardware)	H0638--9080D	1		
50.	Left Footboard	H0638-2249	1			Hardware Bag	H0638-9369	1		
51.	Front Upper Fork	H4808-2349	1			Owners Manual	H0638-0920	1		
52.	Mirror Lens	H0638-2469	2			Decal Sheet (Shiny)	H4808-0310	1		
<b>Hardware / Metal Parts</b>								Decal Sheet	H0638-0320	1
59.	.437 Cap Nut	0801-0226	6			<b>Footswitch (Plunger Type)</b>	<b>00801-0933</b>	<b>1</b>		
60.	# 8 x 3/4 Screw	0912-8001	64			Adhesive Clip (Harness)	0801-0313	1		
61.	Hex Bushing (Short)	H0638-2059	1			<b>PC Board (Turbo Assembly)</b>	<b>74287-9729</b>	<b>1</b>		
62.	Battery Retainer	74290-4419	1			Right Strut	3800-7506	1		
63.	Axle (Drive Wheel)	74290-4509	1			Right Outer Exhaust	3800-7498	1		
64.	Front/Rear Wheel Axle	74290-4519	2			<b>PIC Switch (Pushbutton)</b>	<b>00801-1198</b>	<b>1</b>		
65.	Fork Axle	74290-4529	1							
66.	Steering Bushing	H0638-2359	2							

**Bold and Underlined parts are to be purchased and installed by Service Centers only. These items may not be sold directly to consumers by Service Centers or Fisher-Price.**