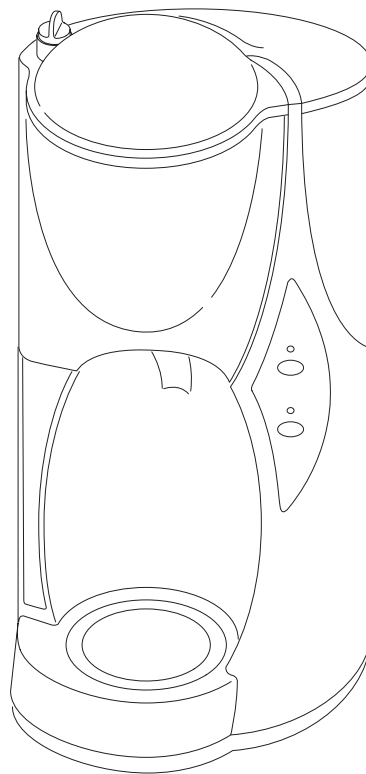

**COFFEE MACHINE
MACHINE A CAFE**

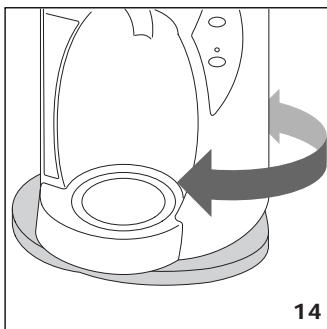
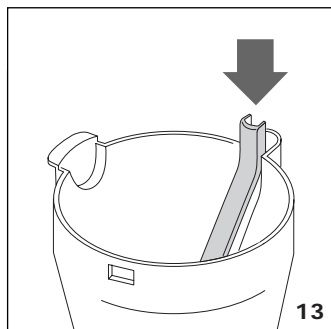
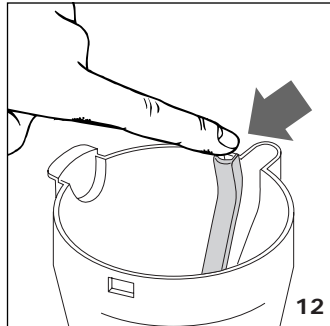
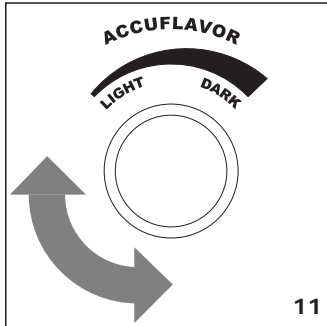
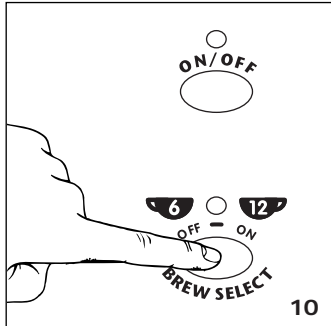
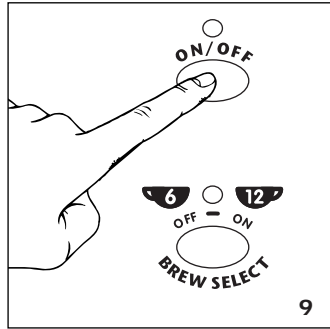
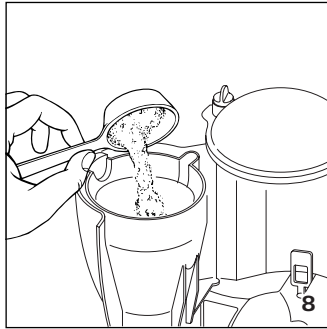
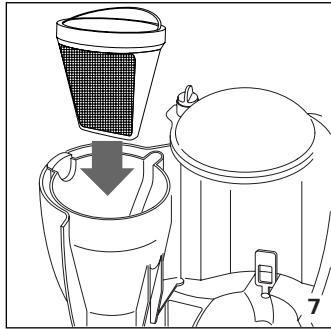
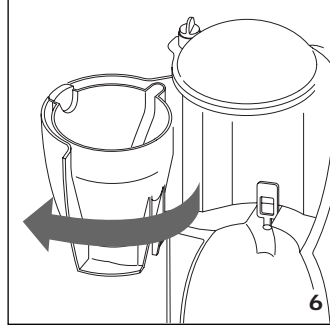
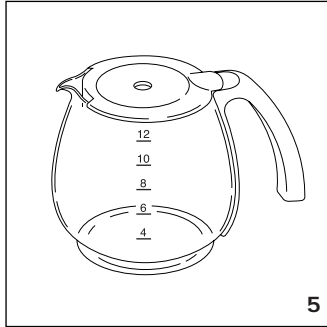
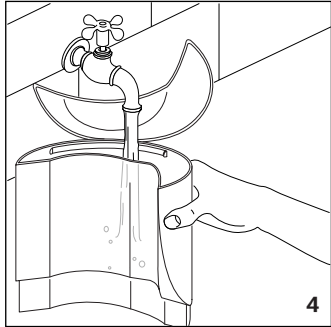
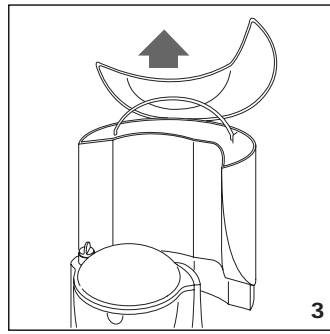
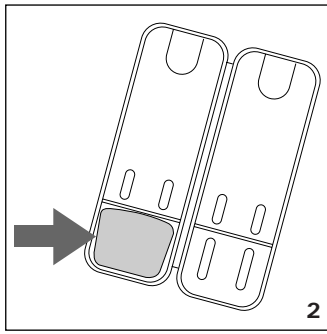
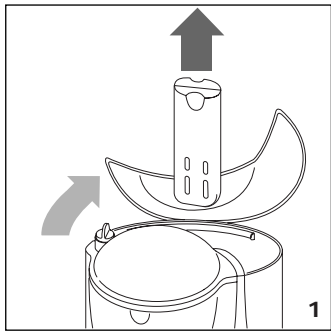


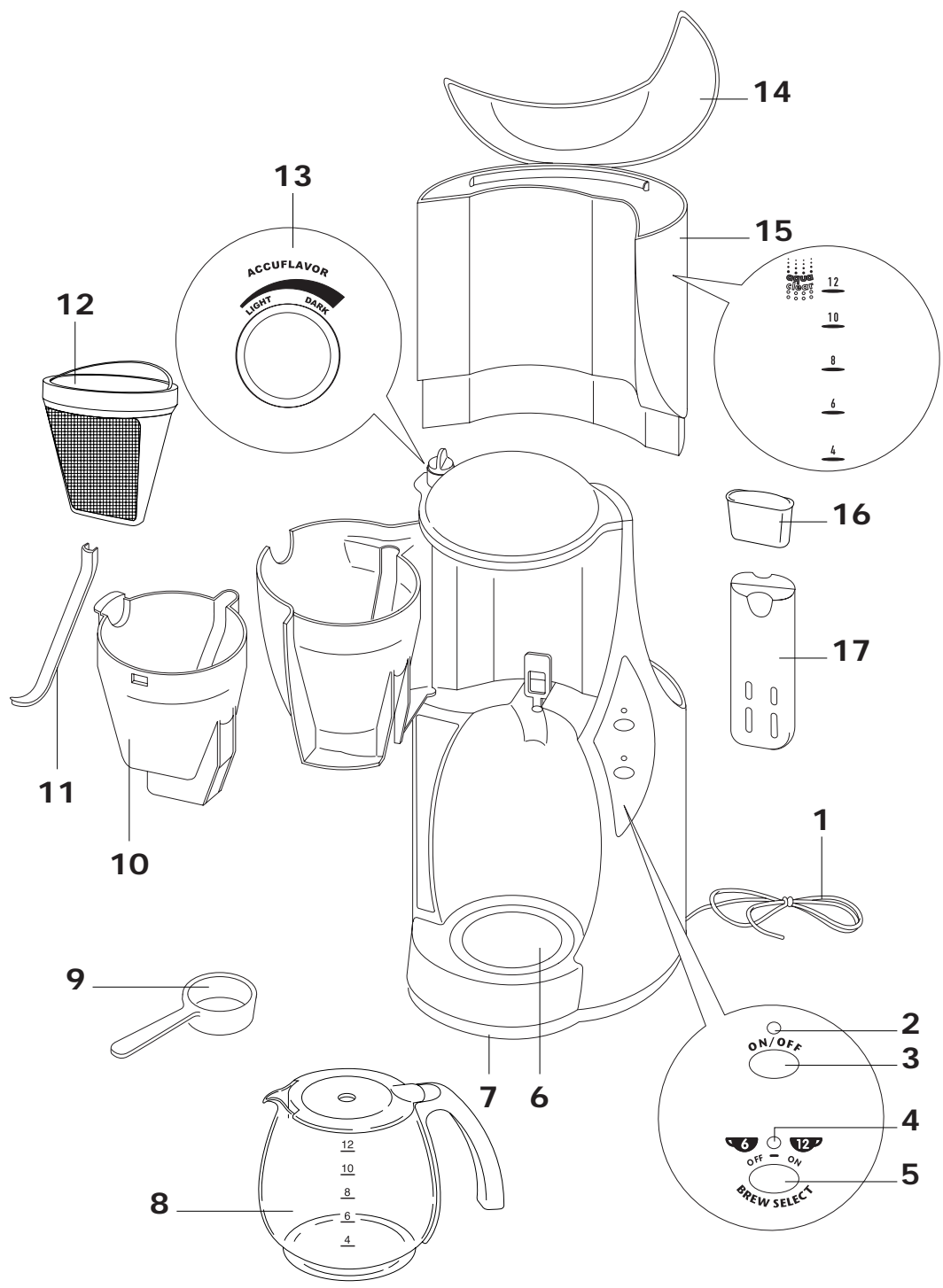
**Instruction Manual
Mode d'emploi**



**READ AND SAVE THESE INSTRUCTIONS
*LISEZ ET GARDEZ CES INSTRUCTIONS***

ICM18 WB







IMPORTANT SAFEGUARDS

When using electrical appliances, basic safety precautions should always be followed, including the following:

- Read all instructions.
- Do not touch hot surfaces. Use handles and knobs.
- To protect against fire, electrical shock and personal injury, do not immerse cord, plug or appliance in water or other liquid.
- Close supervision is necessary when any appliance is used by or near children.
- Unplug from the outlet when not in use and before cleaning. Allow to cool before fitting or taking off parts, and before cleaning the appliance.
- Do not operate with a damaged cord or plug, or after the appliance malfunctions, or has been damaged in any manner. Return the appliance to the nearest authorized service facility for examination, repair or adjustment.
- The use of accessory attachments or spare parts not recommended by the appliance manufacturer may result in fire, electrical shock or personal injury.
- Do not use outdoors.
- Do not let the cord hang over the edge of the table or counter, or touch hot surfaces.
- Do not place on or near a hot gas or electrical burner, or in a heated oven.
- Always attach plug to appliance first, then plug cord into the wall outlet. To disconnect, turn any control to "off", then remove plug from wall outlet.
- Do not use the appliance for other than the intended use.
- Appliances with Glass Containers:
 - A. The container is designed for use with this appliance. It must never be used on a range top.
 - B. Do not set a hot container on a wet or cold surface.
 - C. Do not use a cracked container or a container having a loose or weakened handle.
 - D. Do not clean container with cleansers, steel wool pads, or other abrasive material.

SAVE THESE INSTRUCTIONS

SHORT CORD INSTRUCTIONS

- A short power cord is provided to reduce risks resulting from becoming entangled in or tripping over a longer cord.
- Longer, detachable power supply cords or extension cords are available and may be used if care is exercised in their use.
- If an extension cord is used, the marked electrical rating should be at least as great as the electrical rating of the appliance. If the appliance is provided with 3-wire, grounding type cord, the extension should be a GROUNDING TYPE 3 - WIRE CORD. The longer cord should be arranged so that it will not drape over the counter-top or table top where it can be pulled on by children or tripped over.
- Your product is equipped with a polarized alternating current line plug (a plug having one blade wider than the other). This plug will fit into the power outlet only one way. This is a safety feature. If you are unable to insert the plug fully into the outlet, try reversing the plug. If the plug should still fail to fit, contact your electrician to replace your obsolete outlet. Do not defeat the safety purpose of the polarized plug.

DESCRIPTION OF THE APPLIANCE

The following terminology is used repeatedly on the following pages.

- 1 Power cable
- 2 ON/OFF and (if included) "AUTO" button
- 3 Display
- 4 Button for setting the number of cups (if included)
- 5 Hour setting and increase button
- 6 Minute setting and decrease button
- 7 Timer ON/OFF button
- 8 "AUTO" button (if included)
- 9 "AUTO" pilot light
- 10 ON pilot light
- 11 Warming plate
- 12 Rotating base (if included)
- 13 Carafe for drip coffee
- 14 Measuring spoon
- 15 Filter holder for drip coffee
- 16 Flavor savor
- 17 Permanent filter (if included)
- 18 Drip coffee flavor knob
- 19 Water tank cap
- 20 Removable water tank
- 21 Chlorine filter (if included)
- 22 Chlorine filter holder (if included)

INSTALLATION

- Place the appliance on a working surface away from water taps and sinks.
- Check that the outlet corresponds to the voltage on the appliance rating plate. Connect the appliance to a grounded outlet power socket (minimum rating 10A) only. The manufacturer declines all liability for any accidents due to the incorrect earthing of the appliance.
- Never install the machine in environments where the temperature may reach 0°C - 31°F or lower. The appliance may be damaged if the water freezes.
- If the power cord is longer than the distance required to reach the power outlet, the extra length may be stored inside the machine by pushing the cable inside the corresponding opening.

CHLORINE FILTER (included)

The filter eliminates the taste of chlorine from the water. To install the filter, proceed as follows :

- Remove the chlorine filter from the plastic bag and rinse it in tap water.
- Lift the coffee lid, remove the filter holder from its housing by lifting it upwards (Fig. 1).
- Open the filter holder by pressing the parts marked "PUSH", and carefully position the filter as shown in Fig. 2.
- Close the filter holder and replace it in its housing, pushing it fully down.
- The chlorine filter must be replaced every 80 cycles, and always after six months of operation.

SETTING THE CLOCK (FIG. 3)

Plug the appliance in. When switched on for the first time, the display will show "12:00" flashing.

To set the exact time, proceed as follows:

- Press the "HOUR" button repeatedly until setting the current hour.
- Press the "MIN" button repeatedly until setting the current minutes.

Keeping the buttons pressed scrolls the hours and minutes much more quickly.

The time can be set whenever desired.

HOW TO PREPARE DRIP COFFEE

WARNING: the first time coffee is prepared, all the accessories and internal circuits of the machine must be washed as follows:

Make at least two carafes without using ground coffee (following the instructions below).

- Lift the cap and remove the water tank (Fig. 4).
- Fill the tank with fresh, clean water up to the level corresponding to the number of cups of coffee required (Fig. 5).
- Place the tank back in the coffee maker, pressing it lightly. The tank may also be filled without being removed, using the carafe marked with the level indicators (Fig. 6.)
- Open the filter holder by turning it to the left (Fig. 7).
- In versions with a permanent filter, place the filter in the filter holder (Fig. 8). In other versions, use the #4 paper filter.
- Place the ground coffee in the filter, using the measuring spoon supplied, and level evenly (Fig. 9). As a general rule, use a level measuring

spoon of ground coffee (around 7 grams) for each cup (for example, 12 spoons to make 12 cups). The quantity of ground coffee used may, however, be varied according to personal taste. Use good quality, medium ground coffee, packaged for drip coffee makers.

- Close the filter holder and place the carafe on the warming plate with the lid on.
- Choose the desired flavor as indicated in the paragraph "How to Choose the flavor".
- Press the "ON/OFF" button (Fig. 10). The ON pilot light above the button indicates that the coffee maker is in operation.

To activate the AUTO function, press the ON/OFF button twice (on select models only).

- In some models, the water delivery time can be optimized according to the number of cups being prepared. To set the number of cups press button (4) twice or (on select models only) three times. A point on the display will indicate the selection made.
- The coffee will start to come out after a few seconds. **It is completely normal for the appliance to release a little steam while the coffee is percolating.**
- If the "ON/OFF" button is left in the ON position after percolation, the warming plate will keep the coffee at the ideal temperature.

Note: with models that include a rotating base, the coffee maker can be turned to the right or the left for easier access to the water tank. (Fig. 14).

SETTING THE ON AND OFF TIMES (BUTTON 7)

Check that the current time is set correctly.

To set the time to start preparing the coffee:

- Press button (7): the display will show the time 12:00 flashing;
- Press the "HOUR" and "MIN" buttons repeatedly until reaching the desired start time;
- Press button (7) again.

Now that the ON time has been set, the display will show the OFF time (that is, 2 hours after the set ON time).

To change this setting, press the "HOUR" button to increase it (+) or the "MIN" button to decrease it (-). The time can be increased by up to 12 hours, with 30 minute steps.

Press button (7) within 8 seconds to confirm the setting made. If button (7) is not pressed in time, the display will show the current time.

ACTIVATE THE TIMER FUNCTION

After having:

- Set the ON and OFF times as shown in the previous paragraph;
- Selected the desired number of cups by pressing button (4) (on select models only);
- prepared the machine to make the coffee, press the "ON/OFF" button (2) or (some models only) the "AUTO" button (8) (on select models only).

For models that feature the "AUTO" button (8), the coffee will take a few more minutes to be delivered; this time is used to pre-heat the machine and thus optimize the temperature of the coffee.

Note: the appliance is programmed to prewarm the carafe some minutes before the coffee is brewed which gives the best coffee result. This special feature only operates when the timer function has been selected.

HOW TO CHOOSE THE FLAVOR OF THE DRIP COFFEE

With the Flavor System, the flavor of the drip coffee can be chosen according to personal taste.

By turning the flavor adjustment knob (Fig. 11), the coffee maker can be set for coffee with a strong (STRONG position) or light taste (LIGHT position).

The Flavor System changes the strength of the aftertaste of the coffee, while the actual taste remains the same.

CLEANING AND MAINTENANCE

Before performing any cleaning or maintenance operations, turn the machine off, unplug it from the outlet and allow it to cool down.

1. When cleaning the coffee maker, do not use solvents or abrasive detergents. A soft, damp cloth is sufficient.
2. Never immerse the coffee maker in water: it is an electrical appliance.

CLEANING THE FLAVOR SAVER

To clean the Flavor Saver more efficiently, it can be removed from the filter holder cone by pressing it lightly inwards (Fig. 12). To replace it, simply slide it in from above (Fig. 13).

DESCALING

If the water in your local area is hard, lime scale will form over time. These deposits may affect the correct operation of the appliance.

When the pilot light (10) starts flashing, the machine needs to be descaled. The descaling process may be performed using special commercially-available scale removers for drip coffee makers. Alternatively, white wine vinegar can be used as follows:

1. Remove the chlorine filter.
2. Pour 2 cups of white wine vinegar and 3 cups of water into the tank. Place the tank in the coffee maker;
3. Place the carafe on the warming plate, do not put any ground coffee in the filter holder;
4. Press the drip coffee ON/OFF button, percolate the equivalent of one cup and then button off the appliance;

5. Leave the vinegar to sit for one hour;
6. Switch the coffee maker back on and percolate the rest of the solution;
7. To rinse the machine, operate it with water and without ground coffee at least 3 times (3 complete tanks of water).

Once the descaling operation is complete, press the "HOUR" and "MIN" buttons together to switch off the pilot light.

TROUBLESHOOTING

Problem	Probable cause	Solution
The drip coffee takes longer to percolate	The drip coffee maker needs to be descaled	Perform the descaling procedure as described in the paragraph about "Descaling"
The coffee has a vinegary taste	The coffee maker has not been rinsed sufficiently	Rinse the appliance as described in the chapter about "Descaling"



Limited Warranty

What Does This Warranty Cover? We warrant each appliance to be free from defects in material and workmanship. Our obligation under this warranty is limited to replacement or repair, free of charge at our factory or authorized service centers, of any defective part or parts thereof other than parts damaged in transit, which shall be returned to us, transportation prepaid. This warranty shall apply only if the appliance is used in accordance with the factory directions which accompany it, and on an Alternating Current (AC) circuit.

How Long Does The Coverage Last? This warranty runs for one year from the date of delivery and applies only to the original purchaser.

What Does This Warranty Not Cover? This warranty does not cover defects or damage of the appliance which result from repairs or alterations to the machine outside our factory or authorized service centers, nor shall it apply to any appliance which has been subject to abuse, misuse, negligence or accidents. Also, consequential and incidental damages resulting from the use of this product or arising out of any breach of contract or breach of this warranty are not recoverable under this warranty. Some states do not allow the exclusion or limitation of incidental or consequential damages, so the above limitation may not apply to you.

How Do You Get Service? If repairs become necessary or spare parts are needed, please write to:

De'Longhi America Inc.
Park 80 West Plaza One
Saddle Brook, N.J. 07663

or call Service **Tel. No. 800-322-3848**

The above warranty is in lieu of all other express warranties and representations; All implied warranties are limited to the applicable warranty period set forth above. This limitation does apply if you enter into an extended warranty in connection with De'Longhi. Some states do not allow limitations on how long an implied warranty lasts, so the above exclusions may not apply to you. De'Longhi does not authorize any other person or company to assume for it any liability in connection with the sale or use of its appliance.

How Does State Law Apply? This warranty gives you specific legal rights, and you may also have other rights which vary from state to state.



MESURES DE SECURITE IMPORTANTES

Lors de l'utilisation d'un appareil électroménager, il faut toujours prendre certaines précautions de base:

- Lire toutes les instructions.
- Ne pas toucher les surfaces chaudes; se servir des poignées ou des boutons.
- Afin d'éviter les incendies, les chocs électriques et les blessures aux personnes, ne pas immerger le cordon, la fiche ou l'appareil dans l'eau ou tout autre liquide.
- Faites très attention lorsqu'un appareil est utilisé par un enfant ou se trouve à sa portée.
- Débrancher l'appareil lorsqu'il n'est pas utilisé et avant de le nettoyer. Le laisser refroidir avant d'installer ou d'enlever des pièces ou avant de le nettoyer.
- Il est déconseillé d'utiliser l'appareil si le cordon ou la fiche sont endommagés, défectueux ou s'ils ont subi des dommages. Il est en effet préférable de renvoyer l'appareil à un centre de service après-vente autorisé.
- L'utilisation d'accessoires non recommandés par le fabricant peut causer des incendies, des chocs électriques et des blessures.
- Ne pas utiliser l'appareil à l'extérieur.
- Ne pas laisser le cordon pendre d'une table ou d'un comptoir ou entrer en contact avec une surface chaude.
- Ne pas placer l'appareil sur ou près d'une cuisinière à gaz ou électrique ou dans un four chaud.
- Brancher tout d'abord la fiche à l'appareil, puis brancher la fiche du cordon à la prise. Pour débrancher l'appareil, tourner n'importe quelle commande sur la position "OFF", puis enlever la fiche de la prise.
- Il ne faut utiliser l'appareil que pour les fonctions qui lui sont attribuées.
- Ne jamais dévisser ou enlever le bouchon de la chaudière lorsque l'appareil est en fonction. Attendre que celui-ci ait complété le cycle sélectionné et que la vapeur et l'eau aient été complètement utilisées.
- Appareils munis de verseuse:
 - A. La verseuse a été spécialement conçue pour cette machine. Ne jamais utiliser la verseuse sur un plan de cuisson.
 - B. Ne pas mettre la verseuse chaude sur une surface froide ou humide.
 - C. Ne pas utiliser une verseuse fêlée ou ayant une poignée avec du jeu.
 - D. Ne pas nettoyer l'appareil en utilisant des détergents, des pailles de fer ou d'autres matériaux abrasifs.

CONSERVEZ CES INSTRUCTIONS

UTILISATION DU CORDON SPÉCIAL:

- A. L'appareil est muni d'un cordon d'alimentation court (ou bien un cordon d'alimentation détachable) pour réduire les risques d'enchevêtrement et la possibilité de trébucher sur un cordon plus long.
- B. Des cordons d'alimentation détachables plus longs ou des fils de rallonge sont également disponibles; il faut cependant les utiliser avec précaution.
- C. Si l'on utilise un cordon long détachable ou une rallonge, les spécifications électriques du cordon ou de la rallonge doivent être au moins de la même valeur que celles de l'appareil. Si l'appareil est équipé d'une mise à terre, la rallonge doit être de même un cordon à trois fils avec terre, et le cordon long doit être rangé de telle façon qu'il ne soit pas étalé sur le comptoir ou sur la table, où il pourrait être tiré par les enfants, ou sur lequel on pourrait trébucher.
- D. Votre produit est muni d'une fiche polarisée de courant alternatif (à savoir une fiche ayant une dent plus large que l'autre). Cette fiche ne peut être enfoncée dans la prise que dans une seule position. Il s'agit d'une mesure de sécurité. Si vous ne pouvez pas enfoncer complètement la fiche dans la prise essayez de la tourner. Si malgré tout vous ne pouvez pas encore la brancher, demandez à un électricien de remplacer la prise obsolète. **NÉ PAS ANNULER LA SÉCURITÉ DE LA FICHE POLARISÉE.**

DESCRIPTION DE L'APPAREIL

Termes utilisés dans la suite de ce mode d'emploi.

- 1 Cordon d'alimentation
- 2 Touche ON/OFF et (si prévue) "AUTO"
- 3 Afficheur
- 4 Touche de sélection du nombre de tasses (si prévue)
- 5 Touche sélection heure et pour augmenter
- 6 Touche sélection minutes et pour diminuer
- 7 Touche mise en marche et arrêt programmeur
- 8 Touche "AUTO" (si prévue)
- 9 Voyant témoin "AUTO"
- 10 Voyant témoin de marche
- 11 Plaque chauffante
- 12 Base tournante (si prévue)
- 13 Verseuse pour café filtre
- 14 Doseur
- 15 Porte-filtre pour café filtre
- 16 Conservateur d'arôme (Flavour saver)
- 17 Filtre permanent (si prévu)
- 18 Sélecteur arôme café filtre
- 19 Couvercle réservoir eau
- 20 Réservoir eau extractible
- 21 Filtre anti-chlore (si prévu)
- 22 Porte-filtre anti-chlore (si prévu)

INSTALLATION

- Placer l'appareil sur un plan de travail, à distance des robinets d'eau et des éviers.
- Vérifier si la tension du secteur correspond à celle indiquée sur la plaque signalétique de l'appareil. Connecter l'appareil à une prise de courant d'une intensité minimale de 10 A et dotée d'une mise à la terre efficace. Le fabricant ne peut être tenu pour responsable d'accidents provoqués par le manque de mise à la terre.
- Ne jamais installer la machine dans un endroit où la température peut descendre à 0° C ou au-dessous (si l'eau gèle, l'appareil peut se détériorer).
- Si la distance qui sépare l'appareil de la prise de courant est inférieure à la longueur du

cordon d'alimentation, repousser la partie superflue du cordon dans la machine.

FILTRE ANTI-CHLORE (SI PREVU)

Le filtre élimine le goût de chlore de l'eau. Pour l'installation, procéder de la façon suivante:

- Enlever le filtre anti-chlore du sac plastique et le rincer sous le robinet.
- Soulever le couvercle du réservoir et sortir l'étui en le tirant vers le haut (fig. 1).
- Ouvrir l'étui en appuyant sur l'indication "PUSH" et placer soigneusement le filtre dans son logement (fig. 2).
- Fermer l'étui et le remettre à sa place en appuyant bien vers le bas.
- Après 80 cycles et en tout cas au bout de six mois de fonctionnement, le filtre anti-chlore doit être remplacé.

REGLER L'HORLOGE (FIG.3)

Brancher la prise; quand on met l'appareil en marche pour la première fois l'affiche clignote et indique "12:00".

Pour régler l'horloge, procéder comme suit:

- appuyer sur la touche "HOUR" plusieurs fois pour sélectionner l'heure courante.
- appuyer sur la touche "MIN" plusieurs fois pour sélectionner les minutes courantes.

Ces opérations peuvent être effectuées rapidement en maintenant simplement les touches pressées.

L'heure peut être réglée à tout moment.

COMMENT PREPARER UN CAFE FILTRE

- Soulever le couvercle et sortir le réservoir d'eau (fig. 4).
- Remplir le réservoir d'eau propre et fraîche jusqu'au niveau correspondant au nombre de tasses à préparer (fig. 5).
- Remettre le réservoir dans la machine en appuyant légèrement. On peut également laisser le réservoir à sa place et le remplir avec la verseuse qui est graduée (fig. 6).
- Ouvrir le porte-filtre en le tournant en sens inverse des aiguilles d'une montre (fig. 7).
- Placer le filtre permanent (si prévu) dans le porte-filtre (fig. 8) et, pour les versions qui n'en sont pas dotées, utiliser le filtre en papier #4.
- Mettre la mouture dans le filtre en utilisant le doseur et répartir de façon uniforme (fig. 9). Comme règle générale, compter une dose rase

de mouture (environ 7 grammes) par tasse (12 doses pour faire 12 tasses). Naturellement, la quantité de mouture peut varier selon les goûts personnels. Utiliser de la mouture moyenne, de bonne qualité et pour machine à café filtre.

- Fermer le porte-filtre et poser la verseuse, avec son couvercle, sur la plaque chauffante.
- Sélectionner l'arôme souhaité en suivant les indications du paragraphe "Comment sélectionner l'arôme".
- Appuyer sur la touche "ON/OFF" (fig. 10). La lampe témoin ON au-dessus de la touche indique que la machine à café filtre est en marche.

Dans les modèles sans touche AUTO appuyer deux fois sur la touche "ON/OFF" pour sélectionner la fonction AUTO.

- Dans certains modèles il est possible d'optimiser les temps d'écoulement de l'eau selon le nombre de tasses à préparer, en appuyant sur la touche (4) (sélection du nombre de tasses) deux ou (selon les modèles) trois fois; un point sur l'afficheur indiquera la sélection effectuée.
- Le café commencera à couler au bout de quelques secondes. **Il est tout à fait normal que, pendant la percolation, l'appareil émette un peu de vapeur.**
- Maintenir la pression sur la touche "ON/OFF" après la percolation, pour que la plaque chauffante maintienne le café chaud à la température idéale.

N. B. Les modèles dotés de base tournante permettent de tourner la machine à droite et à gauche et de mieux manier le réservoir d'eau (fig. 14).

PROGRAMMER LA MISE EN MARCHÉ ET L'ARRÊT (TOUCHE 7)

Vérifier que l'heure affichée est exacte.

Pour programmer l'heure de préparation du café:

- Appuyer sur la touche (7): l'afficheur clignote et indique 12:00;
- Appuyer plusieurs fois sur les touches "HOUR" et "MIN" pour sélectionner l'heure de mise en marche voulue;
- Appuyer de nouveau sur la touche (7)

Maintenant l'heure de mise en marche est programmée et l'afficheur montre l'heure d'arrêt (c'est-à-dire 2 heures après la mise en marche programmée).

Pour modifier cette programmation appuyer sur la touche "HOUR" pour augmenter (+) ou la touche "MIN" pour diminuer (-).

Il est possible d'augmenter le temps jusqu'à 12 heures par tranches de 30 minutes.

Appuyer sur la touche (7) dans les 8 secondes pour confirmer la sélection. Si on n'appuie pas sur (7) en temps utile, l'afficheur revient en fonction horloge.

ACTIVER LA FONCTION MINUTERIE

Après avoir:

- programmé l'heure de mise en marche et d'arrêt comme indiqué au paragraphe précédent;
- (selon les modèles) sélectionné le nombre de tasses voulues en appuyant sur la touche (4)
- préparé l'appareil pour faire le café, appuyer sur la touche "ON/OFF" (2) ou (seulement sur certains modèles) "AUTO" (8).

Dans les modèles munis de la touche "AUTO" (8) le café commence à couler quelques minutes plus tard; ce temps permet à la machine d'effectuer un pré-chauffage pour optimiser la température du café.

Note : l'appareil est programmé pour préchauffer la verseuse quelques minutes avant l'écoulement du café afin d'obtenir un café de qualité excellente. Cette fonction n'est activée que lorsque la minuterie est sélectionnée.

COMMENT SÉLECTIONNER L'ARÔME DU CAFÉ FILTRE

Le Flavour System permet de sélectionner l'arôme du café filtre selon le goût de chacun.

Tourner le bouton qui règle l'arôme du café filtre (fig. 11) pour obtenir un arrière goût fort (position STRONG) ou léger (position LIGHT).

Le dispositif Flavour System change l'arrière goût - plus ou moins fort - du café sans altérer le goût.

Attention : avant de préparer le café la première fois, laver tous les accessoires et les circuits internes de la machine :

Faire au moins deux verseuses de café sans mouture (en suivant les indications du paragraphe 'Comment préparer un café filtre').

NETTOYAGE ET ENTRETIEN

Avant toute opération de nettoyage ou d'entretien, éteindre la machine, la débrancher et la laisser refroidir.

1. Pour nettoyer la machine, éviter les solvants et les détergents abrasifs. Un linge doux et humide suffit.
2. Ne jamais plonger la machine dans l'eau : c'est un appareil électrique !

NETTOYAGE DU FLAVOUR SAVER

Pour mieux nettoyer le Flavour Saver, on peut l'enlever du porte-filtre en exerçant une légère pression vers l'intérieur du cône (fig. 12). Pour le remettre dans son logement, il suffit de l'introduire d'en haut. (fig. 13).

DETARTRAGE

Si l'eau de votre zone est dure, les dépôts de calcaire qui s'accumulent avec le temps risquent de compromettre le bon fonctionnement de l'appareil. Quand le voyant témoin (10) clignote, l'appareil doit être détartré. Le détartrage peut s'effectuer avec des détartrants pour machines à café filtre vendus dans le commerce. Autrement, le vinaigre de vin blanc fera très bien l'affaire. Procéder de la façon suivante :

1. Retirer le filtre anti-chlore (si prévu).
2. Verser 2 tasses de vinaigre de vin blanc et 3 tasses d'eau dans le réservoir. Insérer le réservoir dans la machine.
3. Poser la verseuse sur la plaque chauffante et le porte-filtre sans mouture.
4. Appuyer sur la touche ON/OFF café filtre, faire couler l'équivalent d'une tasse et éteindre l'appareil.
5. Laisser le vinaigre agir pendant une heure.;
6. Rallumer la machine et faire couler le reste de la solution.
7. Pour rincer, faire marcher la machine avec de l'eau sans mouture au moins 3 fois (3 réservoirs d'eau pleins).

Quand le détartrage est terminé, appuyer simultanément sur les touches "HOUR" et "MIN" pour éteindre le voyant.

PROBLEMES DE FONCTIONNEMENT

Problème	Causes probables	Solution
La percolation du café filtre est plus longue	La cafetière filtre a besoin d'un détartrage	Effectuer un détartrage tel qu'il est décrit au paragraphe 'Détartrage'.
Le café a goût de vinaigre	Le rinçage n'est pas suffisant.	Rincer l'appareil en suivant les indications du paragraphe 'Détartrage'.



WARRANTY

All DE'LONGHI electrical appliances are guaranteed to be free from defects in material and workmanship. Our obligation under this warranty is limited to replacement or repair, free of charge, at our factory or authorized Service Centers, on any defective part or parts thereof other than parts damaged in transit, which shall be returned to us, transportation pre-paid, within one year from the date of delivery to the purchaser/user. This warranty shall apply only if the appliance is used in accordance with the factory directions which accompany and representations and any other obligation or responsibility of the manufacturer. No other person or company is authorized to assume for us any liability in connection with the sale or use of our products.

This warranty does not cover appliances that have been repaired or modified outside our factory, nor to appliances which have been subject to misuse, negligence or accidents.

If repairs become necessary or spare parts are needed, please write to:

DE' LONGHI CANADA
 1040 RONSA COURT
 MISSISSAUGA, ONTARIO
 L4W 3Y4 CANADA



GARANTIE

Nous garantissons que tous les APPAREILS ELECTRIQUES DE'LONGHI sont exempts de tout défaut de matériaux de fabrication. Notre obligation vis-à-vis de cette garantie est limitée au remplacement ou à la réparation, gratuite dans notre usine, de toutes les pièces défectueuses autres que les pièces endommagées durant le transport, qui nous seront retournées - transport payé d'avance - endéans un an après la livraison à fabricant lesquelles accompagnent l'appareil, et si l'appareil a été utilisé sur courant alternatif (AC). Cette garantie remplace toutes les autres garanties et représentations, exprimées ou impliquées, et toutes autres obligations ou responsabilités de notre part. Nous n'autorisons aucune autre personne ou compagnie à assumer pour nous une quelconque responsabilité pour la vente ou l'utilisation de notre appareil.

Cette garantie ne s'appliquera ni aux appareils qui seront réparés ou endommagés hors de notre usine, ni aux appareils qui auront fait l'objet d'une mauvaise utilisation, d'une négligence ou d'un accident.

Si des réparations ou des pièces de rechange sont nécessaires, veuillez écrire à:

DE' LONGHI CANADA
 1040 RONSA COURT
 MISSISSAUGA, ONTARIO
 L4W 3Y4 CANADA