

Age Range: 3 and up  
 Weight Limit: 65 lbs.  
 Surfaces: Grass/Asphalt/  
 Other Hard Surfaces  
 Speed: 3.5 For/Rev  
 Colors: Purple Wheels/Pink  
 Body/Periwinkle Seat  
 Intro: 2006  
 Suggested Retail: 169.99  
 Box Dimensions:  
 40.250 x 24.875 x 19.188  
 51 lbs.  
 Warranty One Year Vehicle  
 6 Months Battery

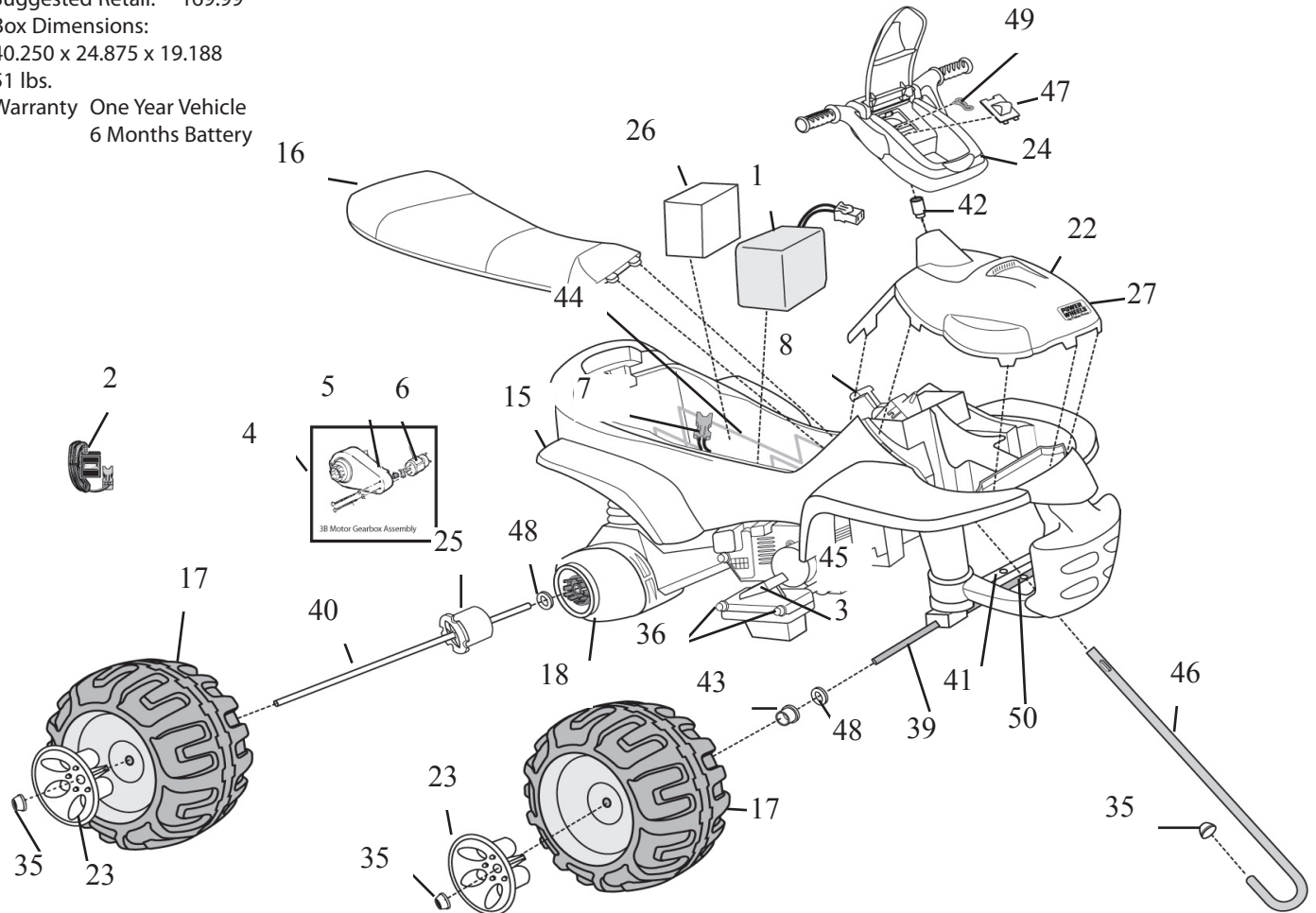


# J7826

## Barbie Trail Rider- TRU

### Preschool Series Super 6V

06/12/06



Item No.	Description	Part No.	Qty.	Item No.	Description	Part No.	Qty.	Item No.	Description	Part No.	Qty.
<b>Working / Electrical Parts</b>				<b>Hardware / Metal Parts</b>				<b>Cap Nut Tool</b> 78640-2629 1			
1.	Super 6V Battery	00801-0712	1	35.	.437 Cap Nut	0801-0226	5	6 x 3/4 Screw	0912-6004	20	
2.	Super 6V Charger	00801-0974	1	36.	.354 Cap Nut	0801-0548	6	8 x 3/4 Screw	0912-8001	12	
3.	Footboard Assembly	J7826-9169	1	39.	Front Axle	73690-4509	1	False Motor Cover Left	73690-2069	1	
<b>4.</b>	<b>Motor Gearbox Assembly</b>	<b>74180-95192</b>	<b>1</b>	40.	Rear Axle	73690-4549	1	Motor Housing Top N/A	73690-2149	2	
<b>5.</b>	<b>Gearbox W/out Motor</b>	<b>74550-9279</b>	<b>2</b>	41.	Crossbar	73690-4649	1	Motor Housing Bottom N/A	73690-2159	2	
<b>6.</b>	<b>Motor Pinion Assembly</b>	<b>74580-9539</b>	<b>2</b>	42.	Steering Bushing	78476-2259	1	<b>Shifter Assy. w/harness</b>	<b>B2008-9509</b>	<b>1</b>	
<b>7.</b>	<b>Main Harness Assembly</b>	<b>78476-9799</b>	<b>1</b>	43.	Round Bushing	74550-2689	2				
8.	Shifter Assembly	78457-9539	1	44.	Battery Retainer	74110-4429	1				
<b>Plastic / Other Parts</b>				<b>Parts Not Shown</b>							
15.	Body	N/A	1		Large Parts Bag	J7826-9259	1				
16.	Seat	J7826-2309	1		Hardware Bag	J7826-9259	1				
17.	Wheel	J7826-2469	4		Owners Manual	J7826-0920	1				
18.	False Motor Cover Right	73690-2059	1		Decal Sheet	J7826-0310	1				
22.	Cowling	J7826-9089	1		<b>Switch Control (Shifter)</b>	<b>00801-0923</b>	<b>1</b>				
23.	Hubcap	H7332-2579	4		<b>Footswitch (Plunger Type)</b>	<b>00801-0933</b>	<b>1</b>				
24.	Handlebar	J7826-9809	1		Adhesive Clip (harness)	0801-0313	1				
25.	Rear Wheel Driver	76960-2249	2								
26.	Foam Spacer	75560-0400	1								
27.	PW Emblem	00801-1503	1								

**N/A = Not Available** **Bold and Underlined Parts are to be purchased and installed by Service Centers only. These items may not be sold directly to consumers by Service Centers or Fisher-Price.**