

PARTS LIST

for

KitchenAid®

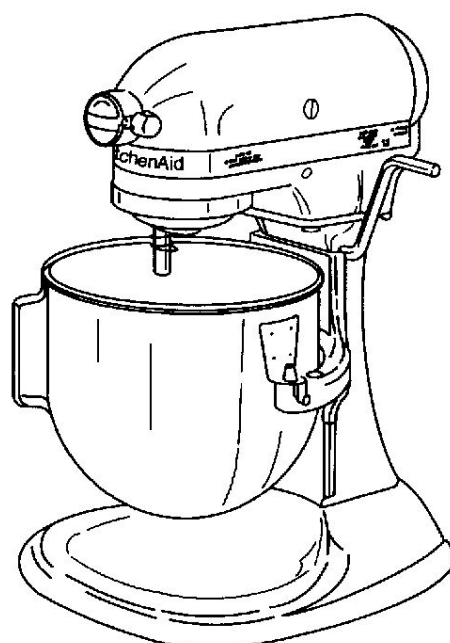
INTERNATIONAL PART NUMBERS ITALICIZED

COMMERCIAL MIXER

MODEL VARIATIONS

OF

KSMC50 SOLID STATE



© 1994 KITCHENAID

ST. JOSEPH MICHIGAN 49085

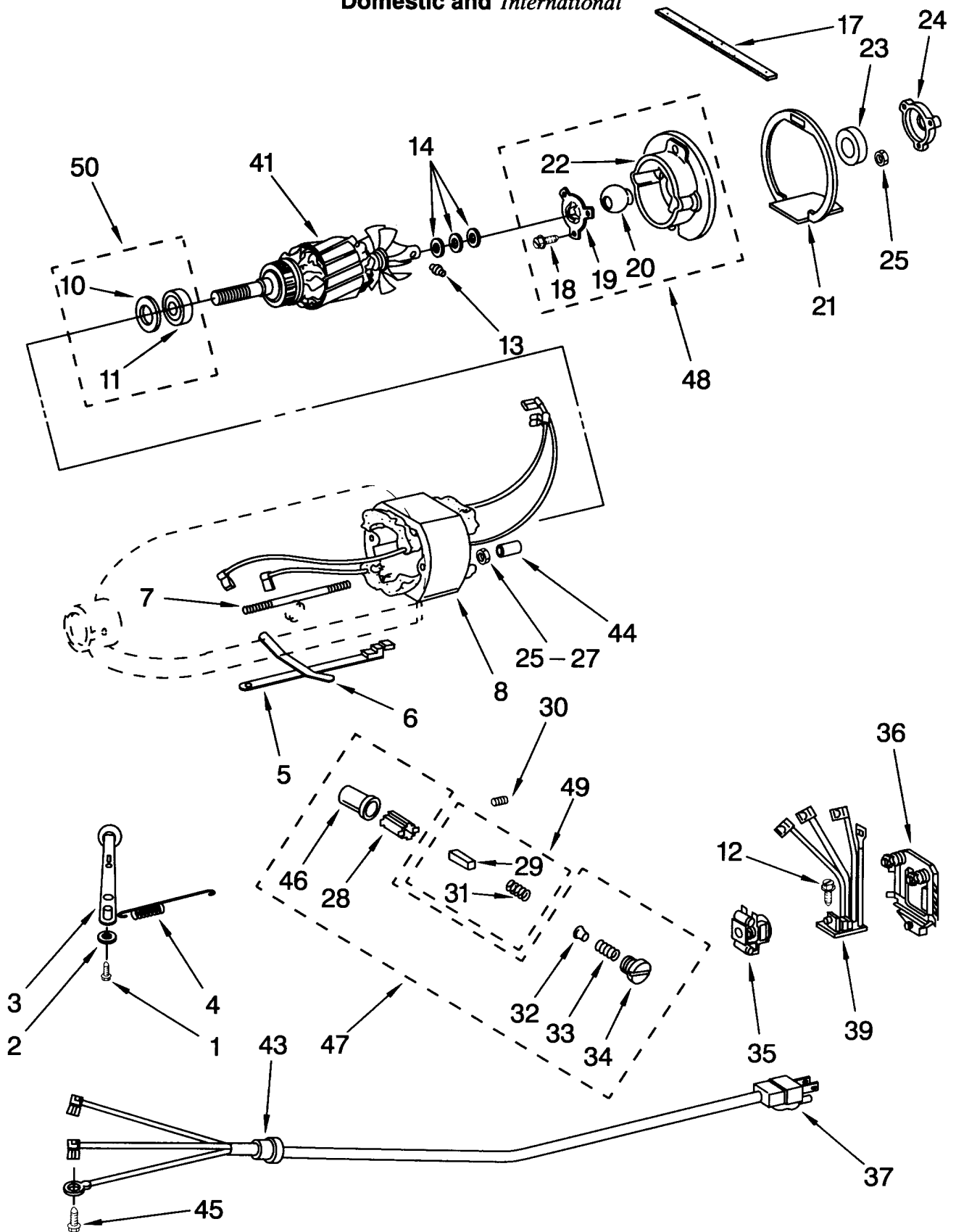
This Parts List Supercedes All Previous KSMC50 Parts Lists.
Updates Required Only on Page I.

7-94 Litho in U.S.A. (Hf)

Part No. 4176925 Rev.A

MOTOR AND CONTROL PARTS

For Model: KSMC50
Domestic and *International*



FOR ORDERING INFORMATION REFER TO PARTS PRICE LIST

CASE, GEARING AND PLANETARY UNIT

For Model: KSMC50
Domestic and *International*

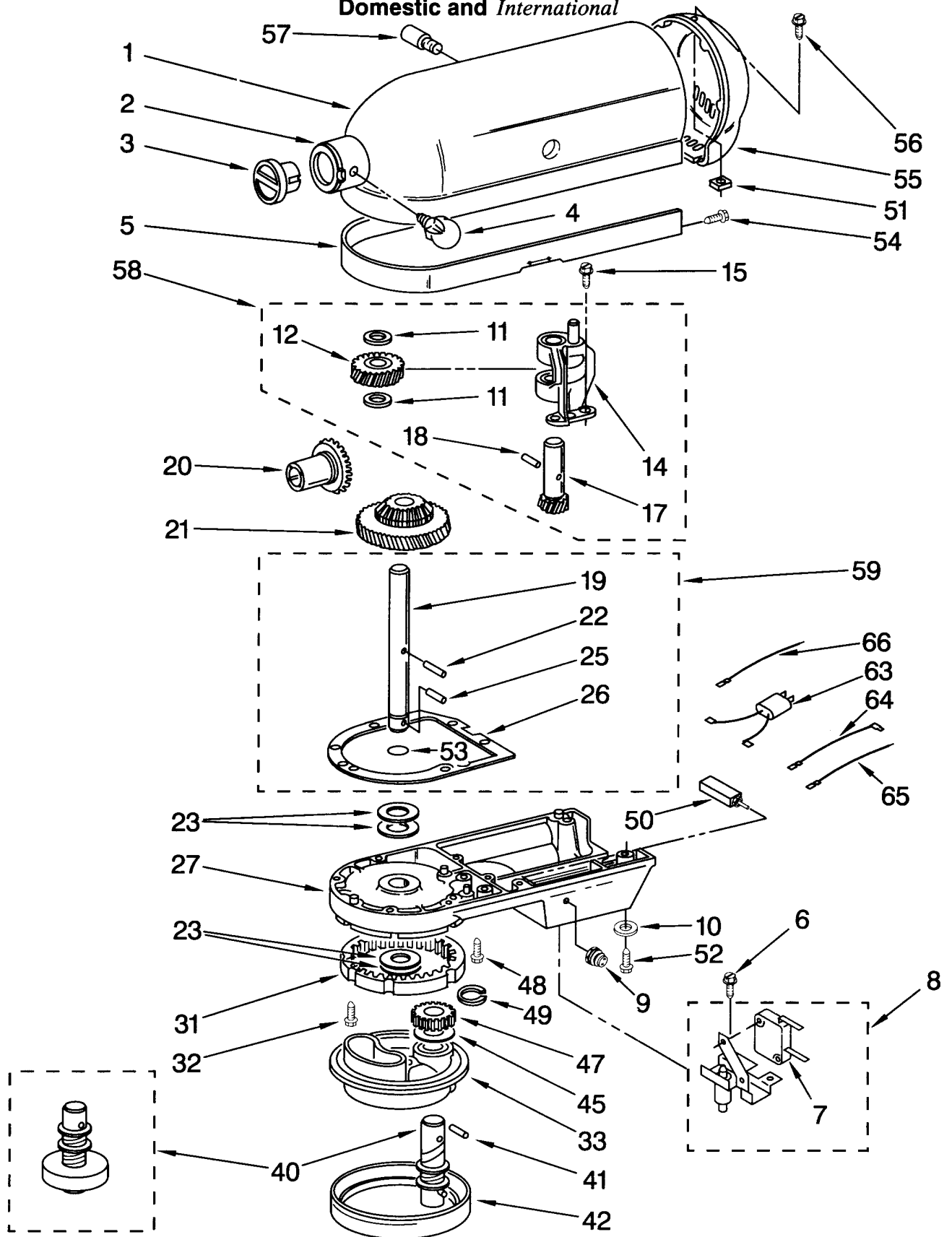
Illus. No.	Part No.	DESCRIPTION	Illus. No.	Part No.	DESCRIPTION	Illus. No.	Part No.	DESCRIPTION
1	**	Gearcase Motor Housing (Includes Illus 2)	21	4161403	Bevel Pinion (19T) & Center Gear (62T)	50	4176099	Circuit Breaker
2	4159709	Ring, Attachment Hub	22	4161950	Pin (Vertical Center Shaft)	51	9701104	Seal (<i>International</i>)
3	4176079	Cap, Attachemnt Hub	23	3180163	Washer, Fiber (Black, Gray)	52	4159204	Machine Screw, 10-24 X 1 Fil. Head
4	4162142	Thumb Screw	25	4159133	Groov-Pin, Type E, 5/32" X 7/8"	53	4159817	"O" Ring
5	**	Band, Trim	26	4162324	Gasket, Case	54	4159430	Screw, Self Tapping 6-32 X 1/4" Phil. Pan Hd. Type F
6	246132	Screw	27	**	Lower Gear Case	55	**	Cover, End
7	9701129	Microswitch	31	4161402	Gear, Internal (59T)	56	4162914	Screw, 6-32 X 3/8 Phil. Oval Hd.
8	9701014	Bowl Actuator Assembly (<i>International</i>)	32	4160595	Screw, Special (5)	57	4176183	Pin-Guard
9	9701663	Seal Assembly, Reset Button (<i>International</i>)	33	**	Planetary	58	4162101	Worm Gear Bracket And Gear (10 T & 23 T) (Incls. Illus 11 thru 14 17 & 18)
10	4159479	Lock Washer, #10 Light	40	4176082 3184052	Agitator Shaft Agitator Shaft (Includes Cup) (<i>International</i>)	59	4160474	Center Shaft & "O" Ring (Incls. Illus. 19,22,25,26, & 53)
11	3180161	Washer, Fiber (Black, Gray)	41	4161950	Pin (Agitator Shaft Pinion)	63	3179959	RF Filter 100 V. (<i>Export/ International</i>)
12	4162897	Worm Gear (23T)	42	4162074	Ring, Planetary Drip	64	4176248	Lead, Circuit Breaker to Board (<i>Export/ International</i>)
14	4162099	Worm Gear Bracket And Bearing	45	3180160	Washer, Shim (.015 & .031 Thk)	65	4176247	Lead, Circuit Breaker to Motor (<i>Export/ International</i>)
15	4159180	Screw And L.W. Assy. #10-24 X 7/16" Phil. Fil. Hd. (3)	47	4161401	Pinion, Gear (18T) (Agitator Shaft)	66	9701602	Lead, Circuit Board to Filter (<i>International</i>)
17	4162037	Shaft & Pinion (10T)	48	4159215	Screw, Machine 10-32 X 5/16" Flat Head			
18	4159131	Groov-Pin-Type E 3/32" X 3/4"	49	4159614	Washer, Retaining			
19	4161956	Shaft, Vertical Center						
20	4161405	Gear, Attachment Hub Bevel (23T)						

**Refer to Page I

FOR ORDERING INFORMATION REFER TO PARTS PRICE LIST

CASE, GEARING AND PLANETARY UNIT

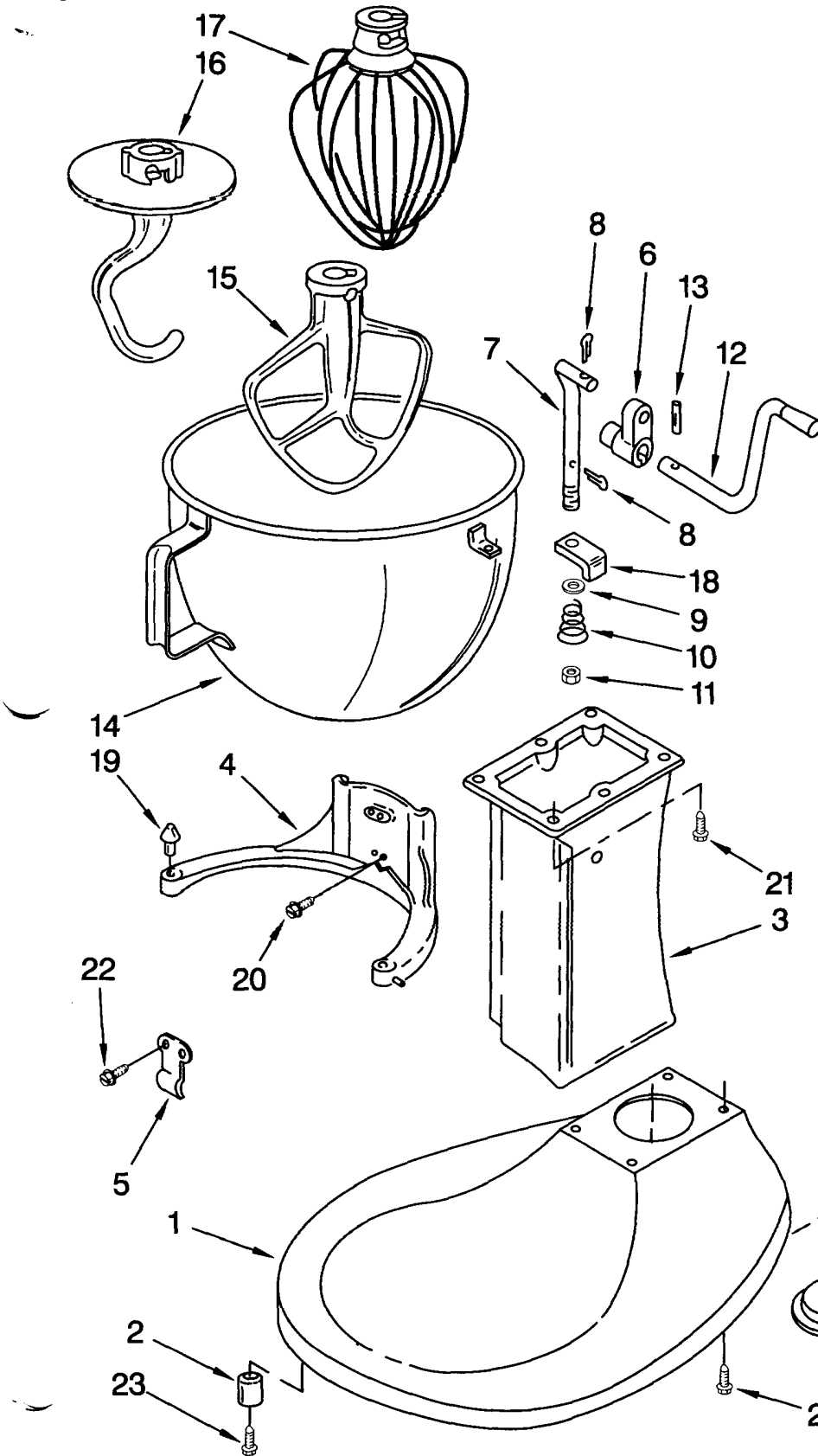
For Model: KSMC50
Domestic and *International*



FOR ORDERING INFORMATION REFER TO PARTS PRICE LIST

BASE AND PEDESTAL UNIT

For Model: KSMC50
Domestic and *International*



Illus. No.	Part No.	DESCRIPTION
1	**	Base & Foot Supports
2	4162038	Foot, Rubber (4)
3	**	Column Assembly
4	**	Bowl Support
5	4159618	Latch, Bowl Spring
6	4162874	Arm, Bowl Lift
7	4159620	Rod, Bowl Lift
8	4159126	Cotter Pin
9	4159514	Washer
10	4159622	Spring
11	4159092	Nut, 1/4-28
12	4159615	Handle, Bowl Lift
13	4176048	Roll Pin
14	3177258	Bowl (5 Qt) Satin, Stainless
15	3177260	Beater, Flat
16	3177261	Dough Hook 9701853 Dough Hook (<i>International</i>)
17	3177259	Wire Whip 4176306 Wire Whip (<i>International</i>)
18	4162022	Bracket, Bowl Lift
19	4162028	Pin, Bowl Locating
20	4159214	Screw, #10-24 x 1/2
21	4162403	Screw, Special #5/16-18 x 3/4 Pan Head (4)
22	4159193	Screw, Machine #10-24 x 1/4 Round Head
23	4159349	Screw, #8 x 3/8 Phil. Rd. Hd. Type B
24	4176184	Plug Button

LITERATURE PARTS

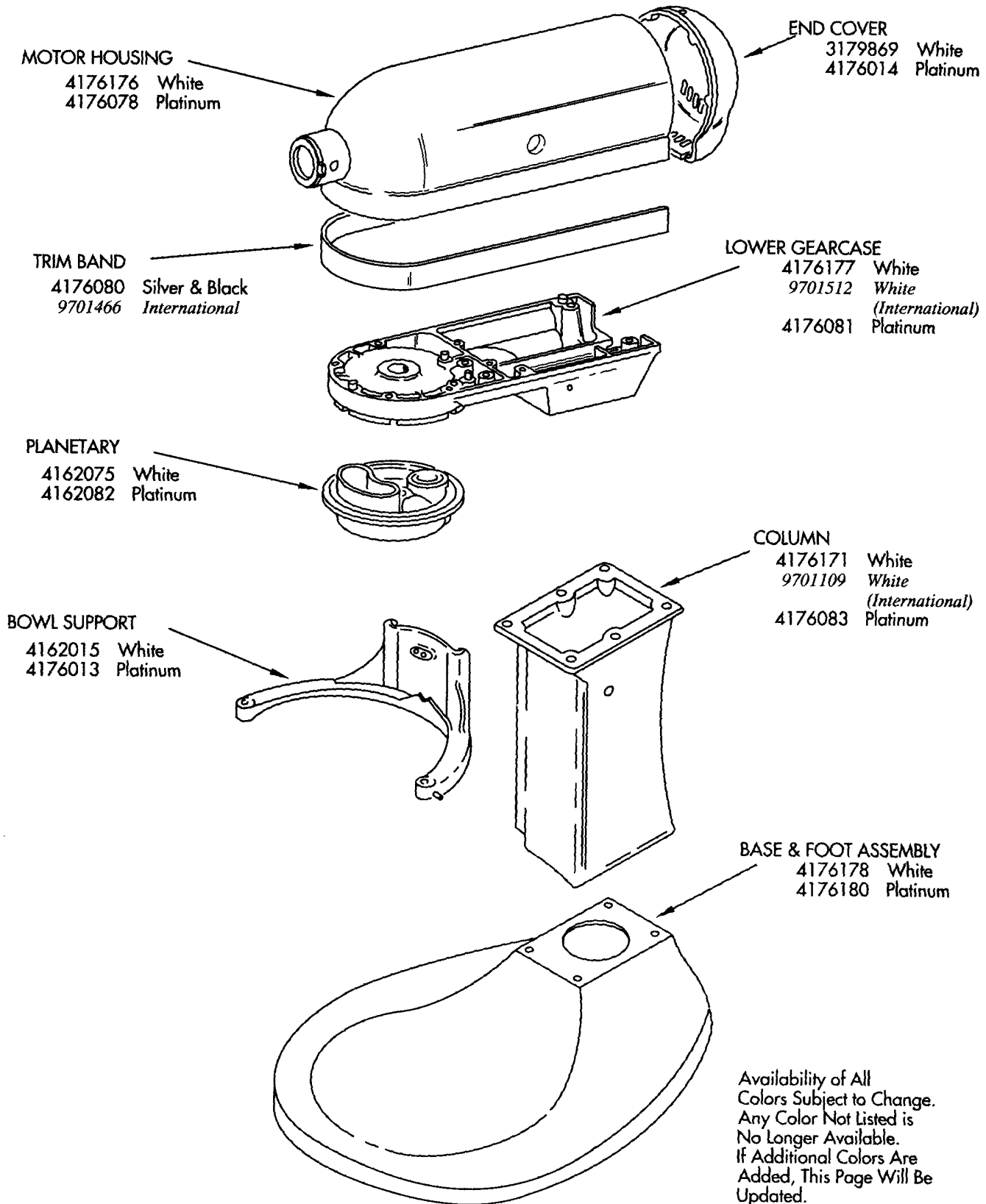
LIT3177217	Instruction Manual
LIT4176925	Repair Parts List

**Refer to Page I

FOR ORDERING INFORMATION REFER TO PARTS PRICE LIST

COLOR VARIATION PARTS

For Model: KSMC50
Domestic and *International*



FOR ORDERING INFORMATION REFER TO PARTS PRICE LIST

MOTOR AND CONTROL PARTS

For Model: KSMC50

Domestic and *International*

Illus. No.	Part No.	DESCRIPTION	Illus. No.	Part No.	DESCRIPTION	Illus. No.	Part No.	DESCRIPTION
1	4160965	Screw, Pivot	21	4162351	Seal, End	43	4176021	Strain Relief
2	4161697	Washer, Spring	22	4162337	Bracket, Bearing		3177563	<i>Strain Relief (International)</i>
3	4162607	Switch Lever And Stud	23	4159539	Washer, Felt	44	4162634	Sleeve, Motor Stud
4	4160596	Spring, Control Plate	24	4162347	Cap, Motor Bearing	45	4176022	Screw, Self Tapping (10-32 X 1/4") Phil. Pan Hd. Type TT
5	4176111	Speed Link & Cam	25	4159074	Nut, Machine Hex (10-24)	46	3179908	Housing, Brush Holder
6	4162035	Spring, Flat	27	4159494	Lock Washer #10 Ext. Shake-proof	47	4162546	Brush Holder (Incls. Illus. 28, 32, 33, 34, & 46)
7	4162344	Screw, Stator	28	4162320	Insert, Brush Holder	48	4162463	Motor Bearing Bracket (Incls. Illus 18, 19, 20, 22, 23 & 24)
8	4163585	Field Assembly (Must Use With Item # 41) 115 Volts	29	4162648	Brush, Carbon	49	4159774	Brush & Spring (Incls. Illus. 29 & 31)
10	4162428	Washer, Ball Bearing (Front)	30	4159262	Set Screw, 10-24 X 1/4" Hds. Cup Pt	50	4176025	Ball Bearing And Washer Kit
11	4159001	Ball Bearing SKF-6200ZJ	31	4162424	Spring, Brush			
12	4159438	Screw, Self Tapping 4-40 X 5/16" Phil. Pan Hd. Type TT	32	4161745	Cap, Spring Seat			
13	4159662	Stud, Governor Drive	33	4161746	Spring, Cap			
14	3180162	Washer, Fiber (Black, Gray, Red, White)	34	3179909	Cap, Brush Holder (Black)			
17	9701501	<i>Seal (International)</i>	35	4159675	Governor Assembly			
18	4159415	Screw, Self Tapping 4-40 X 1/2" Phil. Pan Hd. Type TT	36	4162402	Control Plate Assembly			
19	4162349	Retainer, Bearing	37	3177532	Cord & Plug 115 Volt			
20	4162348	Bearing (Fan End)		9701128	<i>Cord & Plug (International)</i>			
			39	4163711	Phase Control Board (115 Volt)			
			41	4162959	Armature & Bearing (115 V.) Incls. Illus 11) (Must use with Illus. 8)			

Following Parts Not Illustrated

OPTIONAL ATTACHMENTS, ACCESSORIES AND SERVICE ITEMS

3177975	Pouring Shield (KPS2CL)
9701671	<i>Pouring Shield (International)</i>
3177261	Dough Hook
3177260	Beater
3177259	Wire Whip
3177258	5 Qt. Bowl, Polished Stainless Steel
4164839	Speed Disc (Service Tool)
4160588	Grease, Planetary

FOR ORDERING INFORMATION REFER TO PARTS PRICE LIST