

BRAUN

CaféSelect

KMM 30 Type 3045

Kaffee-/Espressomühle

Coffee/espresso mill

Moulin broyeur pour mouture café ou espresso

Molinillo de café espresso

Moinho de café espresso

Macinacaffè universale per caffè, per moka, caffè filtro e caffè espresso

Koffie-/espresso molen

Kaffe-/espressomølle

Kaffe-/espresso kvern

Kaffe/espressokvarn

Kahvi- ja espressomylly

Μύλος για καφέ φίλτρου και εσπρέσο

Экспресс/Кофемолка

Експрес/Кавомолка

Deutsch

- 4 Gebrauchsanweisung
- 18, 25 Garantie
- 23 Kundendienst

English

- 5 Use Instructions
- 18, 25 Guarantee
- 23 Service Centers

Français

- 6 Mode d'emploi
- 18, 25 Garantie
- 23 Centrales service après-vente

Español

- 7 Instrucciones de uso
- 18, 25 Garantía
- 23 Servicios de asistencia técnica

Português

- 8 Instruções de uso
- 19, 25 Garantia
- 23 Serviços de assistência técnica

Italiano

- 9 Istruzioni d'uso
- 19, 25 Garanzia
- 23 Centri servizio clienti

Nederlands

- 10 Gebruiksaanwijzing
- 19, 25 Garantie
- 23 Servicecentra

Dansk

- 11 Bruksanvisning
- 19, 25 Garanti
- 23 Serviceafdelinger

Norsk

- 12 Bruksanvisning
- 20, 25 Garanti
- 23 Autoriserte verksteder

Svenska

- 13 Bruksanvisning
- 20, 25 Garanti
- 23 Servicecenters

Suomi

- 14 Käyttöohjeet
- 20, 25 Takuu
- 23 Asiakaspalvelu

Ελληνικά

- 15 Οδηγίες χρήσεως
- 20, 25 Εγγύηση
- 23 Εργαστήριο επισκευών

Русский

- 16 Инструкция по эксплуатации
- 21, 25 Гарантия
- 23 Сервисны центры

Українська

- 17 Інструкція з експлуатації
- 21, 25 Гарантія
- 23 Сервісні центри

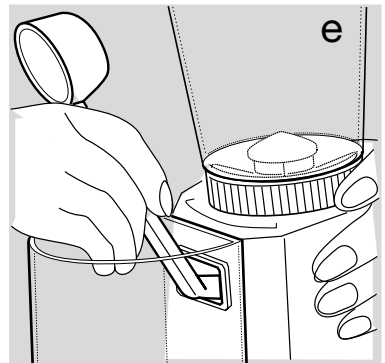
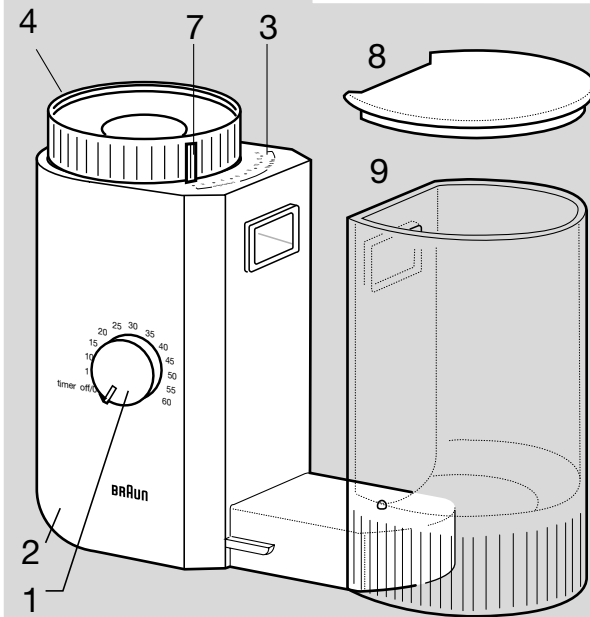
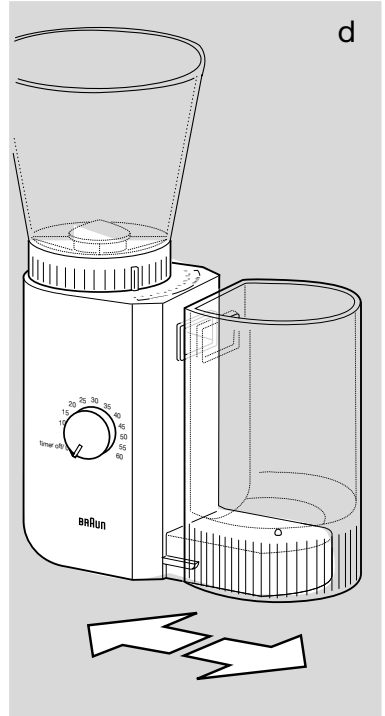
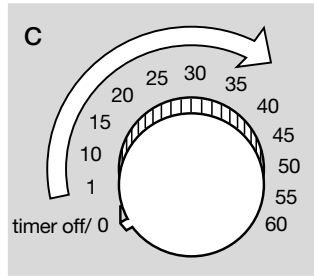
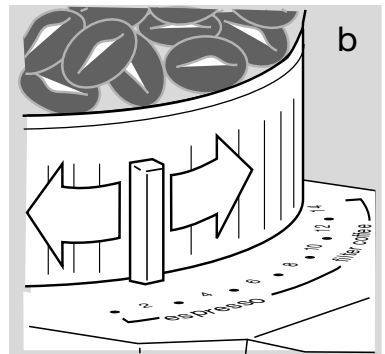
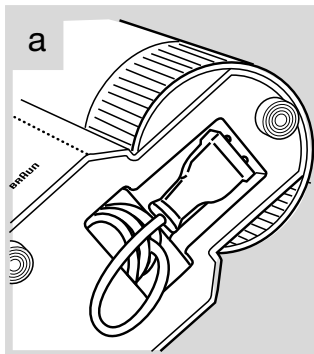
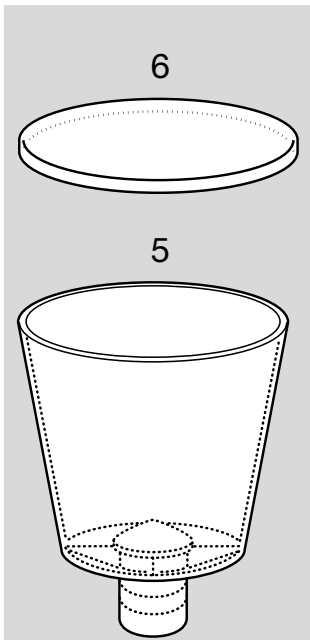


Braun Infoline

- (D)** Haben Sie Fragen zu diesem Produkt?
- (A)** Rufen Sie an (gebührenfrei):
00 800 27 28 64 63
00 800 BRAUNINFOLINE
- (CH)** **08 44 - 88 40 10**
- (E)** Servicio al consumidor para España:
9 01-11 61 84
- (P)** Serviço ao Consumidor para Portugal:
808 20 00 33
- (I)** Servizio consumatori:
(02) 6 67 86 23
- (NL)** Heeft u vragen over dit produkt?
Bel Braun Consumenten-infolijn:
(070) 4 13 16 58
- (B)** Vous avez des questions sur ce produit ?
Appelez Braun Belgique
(02) 711 92 11
- (DK)** Har du spørgsmål om produktet? Så ring
70 15 00 13
- (N)** Spørgsmål om dette produktet? Ring
88 02 55 03
- (S)** Frågor om apparaten? Ring Kundenservice
020 - 21 33 21
- (FIN)** Onko Sinulla kysyttävää tuotteesta? Soita
0203 77877

Internet:

www.braun.com



English

Our products are engineered to meet the highest standards of quality, functionality and design. We hope you thoroughly enjoy your new Braun coffee mill.

Caution

Read all instructions carefully before using this product.

- This appliance is for household use. It must be kept out of the reach of children!
- Before plugging into a socket, check whether your voltage corresponds with the voltage printed on the bottom of the appliance.
- Always unplug the appliance before cleaning, and before removing the coffee bean receptacle from the motor block.
- Braun electric appliances meet applicable safety standards. Repairs on electric appliances must only be done by authorized service personnel.
- Faulty, unqualified repair work may cause accidents or injury to the user.
- The cord of the appliance may only be replaced by an authorized Braun Service Centre as a special tool is required.

Description

- ① On/off switch and timer/measurer (the appliance is switched off at setting «timer off/0»)
- ② Motor block
- ③ Grind fineness scale
- ④ Grind selector ring
- ⑤ Coffee bean receptacle
- ⑥ Lid for the coffee bean receptacle ⑤
- ⑦ Fineness marker on the grind selector ring ④
- ⑧ Lid for the coffee grounds receptacle ⑨
- ⑨ Coffee grounds receptacle
- ⑩ Measuring spoon with cleaning spatula

Plugging in

Pull out only as much cord from the cord storage as you need to the socket (a).

Grinding coffee

Notice: To retain the full flavour of the coffee beans, the coffee bean receptacle should be always properly closed with the lid.

Only the immediately needed quantity of coffee should be ground at a time.

Setting the degree of fineness:

The grind fineness scale has two general sections: one for filter coffee («filter coffee») and one for espresso-type coffee («espresso»).

Set the desired degree of coffee grounds fineness by turning the grind selector ring so that the fineness marker points to the desired dot on the grind fineness scale (b).

The grind selector ring ④ is screwed into the motor block and can be turned from one end of the grinding fineness spectrum to the other. If you turn the grind selector ring anti-clockwise, the grind will be coarser

the higher the figures and the larger the dots on the grind fineness scale are.

Notice: When using a coffeemaker, the coffee grounds should not be too fine, as this could result in the coffeemaker overflowing, as water would not be able to flow as designed through the filter. For espresso-type coffee you should try starting with a medium setting in the «espresso» section of the grind fineness scale, and adjust so that two cups of espresso takes approximately 25 seconds to brew, once the coffee starts to drip out of the filter of your espressomaker.

Turning on the coffee mill:

The coffee mill is switched on by turning the switch clockwise. Turn the switch until you have reached the right setting for the desired quantity of coffee grounds (c). The marking numbers are shown on the timer scale around the timer switch.

By returning the on/off switch to position «timer off/0», you may stop or shorten the grinding process at any time.

Removing the coffee grounds

When grinding is completed, remove the lid from the coffee grounds receptacle and take out the coffee grounds with the measuring spoon.

The coffee grounds receptacle can also be pulled off from the motor block horizontally (d). A measuring spoon full of coffee grounds is approximately 6.5 g, generally the quantity needed for 1 cup of brewed coffee or espresso.

Cleaning

Before cleaning, always first unplug the appliance. Do not immerse the motor block in water and do not hold it under running water. Wipe the motor block with a damp cloth only.

The coffee grounds outlet can be cleaned with the spatula on the reverse end of the measuring spoon (e). The coffee bean receptacle, the lid, the coffee grounds receptacle and the lid may be cleaned in the dishwasher.

Subject to change without notice.



This product conforms to the EMC-Requirements as laid down by the Council Directive 89/336/EEC and to the Low Voltage Regulation (73/23 EEC).

Deutsch

Garantie

Als Hersteller übernehmen wir für dieses Gerät – **nach Wahl des Käufers zusätzlich zu den gesetzlichen Gewährleistungsansprüchen gegen den Verkäufer** – eine Garantie von 2 Jahren ab Kaufdatum. Innerhalb dieser Garantiezeit beseitigen wir nach unserer Wahl durch Reparatur oder Austausch des Gerätes unentgeltlich alle Mängel, die auf Material- oder Herstellungsfehlern beruhen. Die Garantie kann in allen Ländern in Anspruch genommen werden, in denen dieses Braun Gerät von uns autorisiert verkauft wird.

Von der Garantie sind ausgenommen: Schäden durch unsachgemäßen Gebrauch, normaler Verschleiß und Verbrauch sowie Mängel, die den Wert oder die Gebrauchstauglichkeit des Gerätes nur unerheblich beeinflussen. Bei Eingriffen durch nicht von uns autorisierte Braun Kundendienstpartner sowie bei Verwendung anderer als Original Braun Ersatzteile erlischt die Garantie.

Im Garantiefall senden Sie das Gerät mit Kaufbeleg bitte an einen autorisierten Braun Kundendienstpartner. Die Anschrift für Deutschland können Sie kostenlos unter 00800/27 28 64 63 erfragen.

English

Guarantee

We grant 2 years guarantee on the product commencing on the date of purchase. Within the guarantee period we will eliminate, free of charge, any defects in the appliance resulting from faults in materials or workmanship, either by repairing or replacing the complete appliance as we may choose. This guarantee extends to every country where this appliance is supplied by Braun or its appointed distributor.

This guarantee does not cover: damage due to improper use, normal wear or use as well as defects that have a negligible effect on the value or operation of the appliance. The guarantee becomes void if repairs are undertaken by unauthorised persons and if original Braun parts are not used.

To obtain service within the guarantee period, hand in or send the complete appliance with your sales receipt to an authorised Braun Customer Service Centre.

For UK only:

This guarantee in no way affects your rights under statutory law.

Français

Garantie

Nous accordons une garantie de 2 ans sur ce produit, à partir de la date d'achat.

Pendant la durée de la garantie, Braun prendra gratuitement à sa charge la réparation des vices de fabrication ou de matière en se réservant le droit de décider si certaines pièces doivent être réparées ou si l'appareil lui-même doit être échangé. Cette garantie s'étend à tous les pays où cet appareil est commercialisé par Braun ou son distributeur exclusif.

Cette garantie ne couvre pas : les dommages occasionnés par une utilisation inadéquate et l'usure normale. Cette garantie devient caduque si des réparations ont été effectuées par des personnes non agréées par Braun et si des pièces de rechange ne provenant pas de Braun ont été utilisées.

Pour toute réclamation intervenant pendant la période de garantie, retournez ou rapportez l'appareil ainsi que l'attestation de garantie à votre revendeur ou à un Centre Service Agréé Braun.

Appelez au 01.47.48.70.00 pour connaître le Centre Service Agréé Braun le plus proche de chez vous.

Clause spéciale pour la France

Outre la garantie contractuelle exposée ci-dessus, nos clients bénéficient de la garantie légale des vices cachés prévue aux articles 1641 et suivants du Code civil.

Español

Garantía

Braun concede a este producto 2 años de garantía a partir de la fecha de compra. Dentro del periodo de garantía, subsanaremos, sin cargo alguno, cualquier defecto del aparato imputable tanto a los materiales como a la fabricación, ya sea reparando, sustituyendo piezas, o facilitando un aparato nuevo según nuestro criterio.

En el supuesto de que la reparación no fuera satisfactoria, el usuario tiene derecho a solicitar la sustitución del producto por otro igual, o a la devolución del precio pagado.

La garantía no ampara averías por uso indebido, funcionamiento a distinto voltaje del indicado, conexión a un enchufe inadecuado, rotura, desgaste normal por el uso que causen defectos o una disminución en el valor o funcionamiento del producto. La garantía perderá su efecto en caso de ser efectuadas reparaciones por personas no autorizadas, o si no son utilizados recambios originales de Braun.

La garantía solamente tendrá validez si la fecha de compra es confirmada mediante la factura o el albarán de compra correspondiente.

Esta garantía tiene validez en todos los países donde este producto sea distribuido por Braun o por un distribuidor asignado por Braun.

Garantiebüros und Kundendienstzentralen

Guarantee and Service Centers

Bureaux de garantie et centres service après-vente

Oficinas de garantía y oficinas centrales del servicio

Entidade de garantia e centros de serviço

Uffici e sede centrale del servizio clienti

Garantiebureaux en service-centrales

Garantikontorer og centrale serviceafdelinger

Garanti og servicecenter

Servicekontor och centrala kundtjänstplatser

Asiakaspalvelu ja tekninen neuvonta

Εγγύηση και Εργαστήριο επικοινωνία

Гарантийные и сервисные центры

Гарантийні та сервісні центри

Deutschland

Braun GmbH, Kundendienst, Westerbachstr. 23 H, 61476 Kronberg, ☎ 00 800 / 27 28 64 63

Argentina

Central Reparadora de Afeitadoras S.A., Av. Santa Fe 5270, 1425 Capital Federal, ☎ 0800 44 44 553

Australia

Gillette Australia Pty. Ltd., Private Bag 10, Scoresby, Melbourne, Victoria 3179, ☎ 1 800 641 820

Austria

Gillette Gruppe Österreich, IZ-NÖ Süd, Straße 2, Objekt M21, 2355 Wiener Neudorf, ☎ 00800-27 28 64 63

Bahrain

Yaquby Stores, 18 Bab ALBahrain, P.O. Box 158, Manama, ☎ 02-28 88 7

Barbados

Dacosta Mannings Inc., P.O. Box 176, Pier Head, Bridgetown, ☎ 431-8700

Belarus

Electro Service & Co Ltd., Chernyshevskogo str. 10 A, 220015 Minsk, ☎ 2 85 69 23

Belgium

Gillette Group Belgium N.V., J. E. Mommaertsiaan 18, 1831 Diegem, ☎ 02/71 19 211

Bermuda

Stuart's Ltd., Reid Street, P.O. Box HM 2705, Hamilton OR, ☎ 2 95 54 96

Brasil

Picolli Service, Rua Túlio Teodoro de Campos, 209, São Paulo - SP, ☎ 0800 16 26 27

Bulgaria

Stambouli Ltd., 12, Hrist Botev Str., Sofia, Bulgaria ☎ + 359 2 528 988

Canada

Gillette Canada Company, 4 Robert Speck Parkway, Mississauga L4Z 4C5, Ontario, ☎ (905) 566-5000

Česká Republika

PH SERVIS sro., V Mezihori 2, 18000 Praha 8, ☎ (02) 663 105 74

Chile

Viseelec, Braun Service Center Chile, Av. Concha y Toro #4399, Puente Alto, Santiago, ☎ 2 288 25 18

China

Gillette (Shanghai) Sales Co. Ltd. 550 Sanlin Road, Pudong, Shanghai 200124, ☎ 800 820 13 57

Colombia

Gillette de Colombia S.A., Calle 100 No. 9A - 39 Piso 3. Bogotá, D.C., ☎ 9800-5-27286

Croatia

Iskra elektronika d.o.o., Bozidara Magovca 63, 10020 Zagreb, ☎ 1 - 6 60 17 77

Cyprus

Kyriakos Papavasiliou Trading, Pannonia u. 23, Kennedy Ave., 1663 Nicosia, ☎ 3572 314111

Danmark

Gillette Group Danmark A/S, Tegholm Allé 15, 2450 København SV, ☎ 70 15 00 13

Djibouti (Republique de)

Ets. Nouraddine, Magasin de la Seine, 12 Place du 27 Juin, B.P. 2500, Djibouti, ☎ 35 19 91

Egypt

United Sons International Trading, 25 Makram Ebiad Street, P.O. Box 7607, Cairo, ☎ 02-2740652

España

Braun Espanola S.A., Braun Service, Enrique Granados, 46, 08950 Esplugues de Llobregat (Barcelona), ☎ 901 11 61 84

Estonia

Servest Ltd., Raua 55, 10152 Tallinn, ☎ 627 87 39

France

Groupe Gillette France - Division Braun, 9, Place Marie Jeanne Bassot, 92693 Levallois Perret Cédex, ☎ (1) 4748 70 00, Minitel 3615 code Braun.

Great Britain

Gillette Group UK Ltd., Braun Consumer Service, Great West Road, Isleworth TW7 5NP; Middlesex, ☎ 0800 783 70 10

Greece

Berson S.A., 47, Agamemonos, 17675 Kallithea Athens, ☎ 1-9 47 87 00

Guadeloupe

Ets. André Haan S.A., Zone Industrielle B.P. 335, 97161 Pointe-à-Pitre, ☎ 26 68 48

Hong Kong

Audio Supplies Company, Room 506, St. George's Building, 2 ICE House Street, Hong Kong, ☎ 25 24-93 77

Hungary

Kisgep KFT, Pannonia u. 23, 1136 Budapest, ☎ 13 494 955

Iceland

Verzlunin Pfaff h.f., Grensavesgur 13, Box 714, 121 Reykjavik, ☎ 5 33 22 22

India

Braun Division, c/o Gillette Div. Op. Pvt. Ltd., 34, Okhla Industrial Estate, New Delhi 110 020, ☎ 11 68 30 218

Iran

Tehran Bouran Company Irtuc Building, No 874 Enghelab Ave., P.O. Box 15815-1391, Tehran 11318, ☎ 021 67 03 50

Ireland (Republic of)

Gavins Shaver Centre, 83/84, Lower Camden Street, Dublin 2, ☎ 1800 509 448

Israel

S. Schestowitz Ltd., 8 Shcham Str., Tel-Aviv, 49517, ☎ 1 800 335 959

Italia

Servizio Consumatori Braun Gillette Group Italy S.p.a., Via G.B. Pirelli, 18, 20124 Milano, ☎ 02 / 6678623

Jordan

Dajani Group, Shamaiani/Sherif Jamil Bin Naser, P.O. Box 926976, Amman 11110, ☎ 962-6552 5545

Kenya

Radbone-Clark Kenya Ltd., P.O. Box 40833, Nairobi-Mombasa Road, Nairobi, ☎ 2 82 36 60

Korea

STC Industries Corp. Braun Division, 32, Mullaee-Dong 3-KA, Youngdeungpo-Ku, Seoul 150-090, ☎ 080 258 25 89

Kuwait

Union Trading Co., Braun Service Center, P.O. Box 28 Safat, Safat Code 13001, Kuwait, ☎ 04 83 32 74

Latvia

Latintertehserviss Co., 72 Bullu Street, House 2, Riga 1067, ☎ 2 40 39 11

Lebanon

Magnet SAL - Fattal HLDG, P.O. Box 110-773, Beirut, ☎ 1 51 20 02

Libya

Al-Muddy Joint-Stock Co., Istanbul Street 6, P.O. Box 4996, Tripoli, ☎ 21 333 3421

Lithuania

Elektronas AB,
Kareiviu 6,
2600 Vilnius,
☎ 277 76 17

Luxembourg

Sogel S.A.,
1 Dernier Sol, BP 1941,
1019 Bonnevoie,
☎ 4 00 50 51

Malaysia

Gillette Malaysia Sdn. Bhd.,
Braun Customer Service,
11 A Persiaran Selangor,
40200 Shah Alam,
☎ 3 55 19 23 10

Malta

Kind's,
287, Republic Street,
Valletta VLT04,
☎ 24 71 18

Maroc

Indimar S.A.,
86, rue de Chaouia
(ex. rue Colbert),
Casablanca, 20 000,
☎ 2 26 86 31

Martinique

Decius Absalon,
23 Rue du Vieux-Chemin,
97201 Fort-de-France,
☎ 73 43 15

Mauritius

J. Kalachand & Co. Ltd.,
Bld DBM Industrial Estate,
Stage 11,
Plaine Lauzun,
☎ 2 12 84 13

Mexico

Gillette Manufactura,
S.A. de C.V./
Gillette Distribuidora,
S.A. de C.V.
Atomo No. 3
Parque Industrial Naucalpan
Naucalpan de Juarez
Estado de México, C.P. 53370
☎ 01-800-508-58-00

Nederland

Gillette Groep Nederland BV,
Visseringlaan 20-22,
2288 ER Rijswijk,
☎ 070-4 13 16 58

Netherlands Antilles

Boolchand's Ltd,
Heerenstraat 4 B,
P.O. Box 36,
Curacao, 00802,
Netherlands Antilles
☎ 9 61 22 62

New Zealand

Key Service Ltd.,
c/o Gillette NZ,
69 Druces Rd.,
Manakau City,
Auckland,
☎ 9-262 58 35

Nippon

Braun Gillette Japan Inc.,
Siber Hegner Bldg., 7th Floor,
89-1 Yamashita-cho, Naka-ku,
P.O. Box 247,
Yokohama 231-0023,
☎ 045-6817591

Norge

Gillette Group Norge AS,
Nils Hansensvei 4,
P.O. Box 79 Bryn,
0667 Oslo,
☎ 022-72 88 10

Oman (Sultanate of)

Naranjee Hirjee & Co. LLC.,
10 Ruwi High,
P.O. Box 9, Muscat 113,
☎ 703 660

Pakistan

Gillette Pakistan Ltd.,
Dr. Ziauddin Ahmend Road,
Karachi 74200,
☎ 21 56 88 930

Paraguay

Paraguay Trading S.A.,
Avda. Artigas y Cacique
Cara Cara,
Asunción,
☎ 21203350/48/46

Philippines

Gillette Philippines Inc.,
Braun Service Centre
Villongco Road, Sucat,
Paranaque City,
☎ 2 8 42 31 54

Poland

Gillette Poland S.A.,
Budynek Orion,
ul. Domaniewska 41,
02-672 Warszawa,
☎ 22 548 89 74

Portugal

Gillette Portuguesa, Ltd.,
Braun Service,
Rua Tomás da Fonseca,
Torre G-9ºB,
1600-209 Lisboa,
☎ 808 2 000 33

Qatar

Al Baker Trading Co.,
P.O. Box 9, Doha,
☎ 04 15 0 57

Réunion

Dindar Confort,
58, rue Maréchal Leclerc,
P.O. Box 12,
97400 St. Denis,
☎ 04 12 02

Romania

Gillette Romania srl.
Calea Floreasca nr. 133-137
et 1, sect 1,
71401 Bucuresti
☎ 01-2319656

Russia

RTC Sovinservice,
Rusakovskaya 7,
107140 Moscow,
☎ (095) 264 96 02

Saudi Arabia

Salem M. Bakhshwain Sons,
P.O. Box 743,
Tabuk Street,
21421 Jeddah,
☎ 657 31 11

Schweiz/Suisse/Svizzera

Telion AG, Rütistrasse 26,
8952 Schlieren,
☎ 0844-88 40 10

Singapore (Republic of)

Beste (S) Pte. Ltd.,
6 Tagore Drive,
03-04 Tagore Industrial
Building,
Singapore 787623,
☎ 4 552 24 22

Slovakia

Techno Servis Bratislava spol.
s.r.o.,
Bajzova 11/A,
82108 Bratislava,
☎ (02) 555 68 161

Slovenia

Coming d. d.,
Slovenceva 024,
1000 Ljubljana,
☎ 386-01-560-40-00

South Africa (Republic of)

Fixnet After Sales Service,
17B Allandale Park,
P.O. Box 5716,
Cnr Le Roux and Morkels
Close,
Johannesburg 1685,
Midrand, Gauteng,
☎ 11 315 9260/1

St. Maarten

Ashoka,
P.O. Box 79,
Philipsburg,
Netherlands Antilles,
☎ 52 29 31

St. Thomas

Boolchand's Ltd.,
31 Main Street,
P.O. Box 5667,
00803 St. Thomas,
US Virgin Islands,
☎ 340 776 0302

Suomi

Gillette Group Finland Oy/
Braun,
P.O. Box 9,
Niittykatu 8, PL 9,
02200 Espoo,
☎ 09-45 28 71

Sverige

Gillette Group Sverige AB,
Dept. Sweden, Stockholm
Gillette
Räsundavägen 12,
Box 702,
16927 Solna,
☎ 020-21 33 21

Syria

c/o Khalil Daoud
Amro Ibn Kalthoum Str.
Unisyria, P.O. Box 35002,
Damascus,
☎ 11 622 28 81

Taiwan

Audio & Electr. Supplies Ltd.,
Brothers Bldg., 10th Floor,
85 Chung Shan N Rd., Sec. 1,
Taipei (104),
☎ 0 80 221 630

Thailand

Gillette Thailand Limited,
109 Moo 4,
Chalongkrung Rd.,
Lamplataw Ladkrabang,
Bangkok 10520,
☎ 645-0800 22 16 30

Tunesie

Generale d'Equipement
Industr.,
34 rue du Golfe Arabe,
Tunis, 2000,
☎ 00216 171 68 80

Turkey

Gillette Sanayi ve Ticaret A.S.,
Polaris Is Merkezi, Ahi Evran
Cad., No:1,
80670 Maslak, Istanbul,
☎ 0212-473 75 85

United Arab Emirates

The New Store,
P.O. Box 3029,
Al Suq Street No-10,
Dubai,
☎ 43 53 45 06

Uruguay

Driva S.A.,
Marcelino Sosa 2064,
11800 Montevideo,
☎ 2 924 95 76

USA

The Gillette Company - SBMC
Braun Consumer Service,
1, Gillette Park 4k-16,
Boston, MA 02127-1096,
☎ 1-800-272-8611

Venezuela

Gillette de Venezuela S.A.,
Av. Blandin,
Centro San Ignacio
Torre Copérnico, Piso 5
La Castellana, Caracas
☎ 0800-4455388

Yemen (Republic of)

Saba Stores for Trading,
26th September Street,
P.O. Box 5278,
Taiz,
☎ 967 4-25 23 80

Yugoslavia

BG Elektronik,
Bulevar revolucije 34,
11000 Beograd,
☎ 11 3240 030