

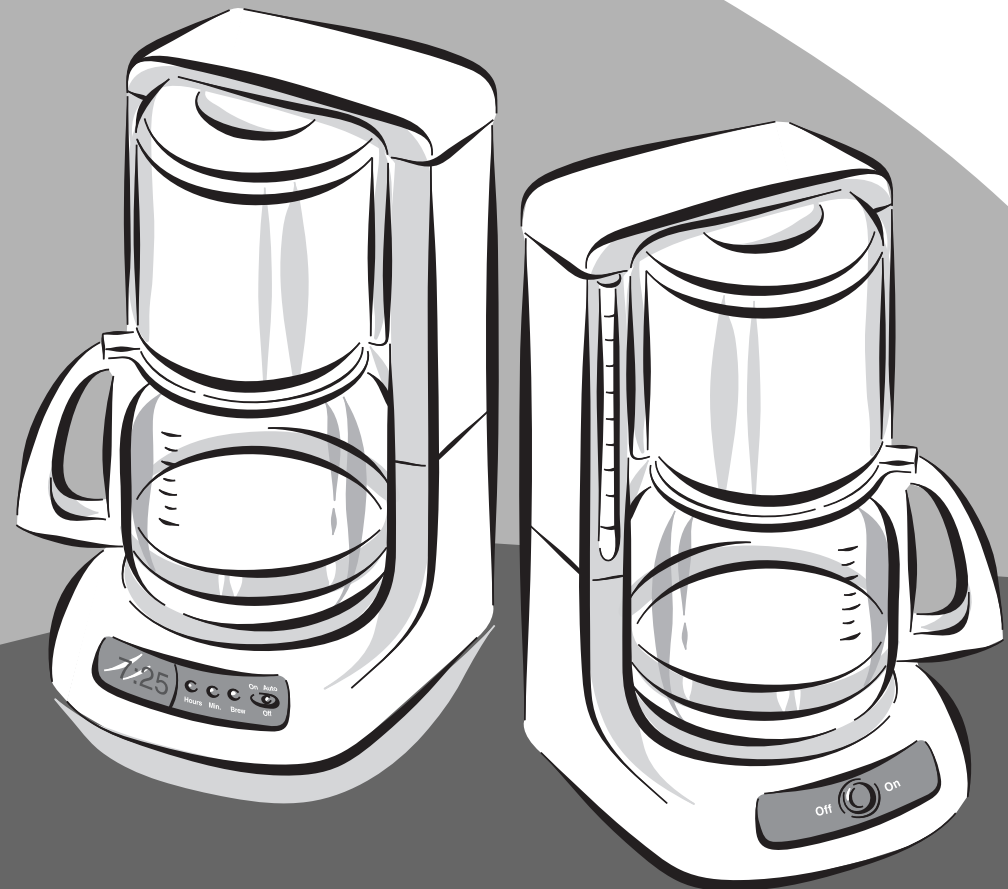
MR. COFFEE®

Instruction Manual for AR Series Coffeemaker Manual de Instrucciones para Serie de AR Cafetera

MR. COFFEE®

©2003 Sunbeam Products, Inc. All rights reserved.
MR. COFFEE® is a registered trademark of Sunbeam Products, Inc.
Distributed by Sunbeam Products, Inc., Boca Raton, Florida 33431.

©2003 Sunbeam Products, Inc. Todos los derechos reservados.
MR. COFFEE® es una marca registrada de Sunbeam Products, Inc.
Distribuido por Sunbeam Products, Inc., Boca Raton, Florida 33431.



IMPORTANT SAFEGUARDS

When using electrical appliances, basic safety precautions should always be followed to reduce the risk of fire, electric shock and/or injury to persons, including the following:

- **READ ALL INSTRUCTIONS BEFORE USING THE COFFEEMAKER.**

- Do not touch the coffeemaker's hot surfaces.
- To protect against electric shock, do not immerse the power cord, power plug or coffeemaker in water or other liquid.
- Close adult supervision is necessary when this appliance is used by or near children.
- Turn the coffeemaker off and unplug the power cord from the power source when the coffeemaker or clock are not in use and before cleaning. Allow the coffeemaker parts to cool before putting on or taking off parts and before cleaning the appliance.
- Do not operate any appliance with a damaged cord or plug or operate it after the appliance malfunctions or has been damaged in any manner. Return this appliance only to the nearest authorized service center for examination, repair or adjustment.
- The use of accessory attachments other than MR. COFFEE® brand may cause hazards or injuries.
- Do not use outdoors.
- Do not let the power cord hang over the edge of a table or counter or allow it to come in contact with hot surfaces.
- Do not place this appliance on or near a hot gas or electric burner or in a heated oven.
- To disconnect, turn the coffeemaker OFF, then remove the power plug from wall outlet.
- Do not use the coffeemaker for other reasons than its intended use.
- Place the coffeemaker on a hard, flat level surface to avoid interruption of air flow underneath the appliance.
- This coffeemaker is designed for household use only.

Decanter Use and Care

Follow the instructions below to reduce or eliminate the chance of breaking the decanter:

- This decanter is designed for use with your MR. COFFEE® coffeemaker and therefore must never be used on a rangetop or in any oven, including a microwave oven.
- Do not set a hot decanter on a wet or cold surface.
- Do not use a cracked decanter or a decanter having a loose or weakened handle.
- Do not clean the decanter with abrasive cleansers, steel wool pads or other abrasive materials.
- Discard the decanter immediately if it is ever boiled dry.
- Protect the decanter from sharp blows, scratches or rough handling.

Warning: To reduce the risk of fire or electric shock, do not remove any service covers. There are no user serviceable parts inside the coffeemaker. Only authorized personnel should repair the coffeemaker.



THIS UNIT IS FOR HOUSEHOLD USE ONLY

Special Cord Set Instructions

1. A short power supply cord is provided to reduce the hazards resulting from becoming entangled in or tripping over a longer cord.
2. An extension cord may be purchased and used if care is exercised in its use.
3. If an extension cord is used, the marked electrical rating of the extension cord must be at least 10 amps and 120 volts. The resulting extended cord must be arranged so that it will not drape over the countertop or tabletop where it can be pulled on by children or tripped over accidentally.

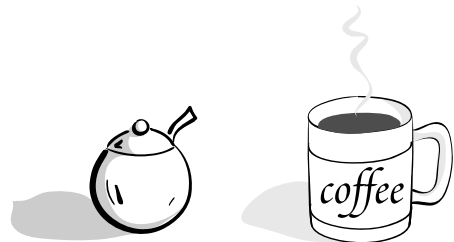
This appliance has a polarized plug (*one blade is wider than the other*). To reduce the risk of electric shock, this plug will fit in a polarized outlet only one way. If the plug does not fit fully in the outlet, reverse the plug. If it still does not fit, contact a qualified electrician. Do not modify the plug in any way.



SAVE THESE INSTRUCTIONS

Table of Contents

Important Safeguards	2
Decanter Use and Care	3
Special Cord Set Instructions	3
Setting Up Your Coffeemaker	5
Coffeemaker Features	5
Adjusting the Power Cord Length	7
Setting the Clock (Models ARX10, ARX11, ARX20 and ARX23 Only)	7
Brewing Coffee	8
Cleaning the Coffeemaker Before First Use	8
Selecting and Measuring Ground Coffee	8
Adding Water and Ground Coffee	8
Brewing Coffee Now	10
Brewing Coffee Later (Using the Delay Timer, Models ARX10, ARX11, ARX20 and ARX23 Only)	11
Cleaning the Coffeemaker Between Brew Cycles	12
Maintaining Your Coffeemaker	13
Cleaning the Coffeemaker	13
Cleaning the Decanter	15
Troubleshooting	16
Service and Maintenance	17
Replacement Parts	17
Repairs	17
Questions, Comments and Suggestions	17
Warranty Information	18



Setting Up Your Coffeemaker

Congratulations on the purchase of your new MR. COFFEE® coffeemaker! Please read these instructions carefully before using your new coffeemaker. Proper use, care and maintenance will ensure trouble-free operation and the long life of this appliance. Save these instructions for cleaning and, if necessary, replacement parts information.

Coffeemaker Features

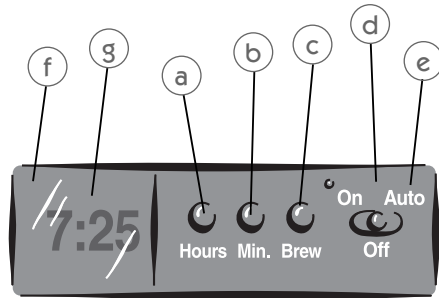
Your new MR. COFFEE® coffeemaker has the following features:

- **Cord Storage** – Allows you to store extra cord length for a tidy countertop.
- **Drip-Resistant Decanter** – Designed to help prevent drips after pouring.
- **Ergonomically Designed Handle** – Provides comfort, control and confidence when pouring.
- **Lighted ON/OFF Switch** (Models AR10, AR11, AR12 and AR13 Only) – This safety feature reminds you that your coffeemaker is on.
- **Non-Stick Warming Plate** – This feature prevents the decanter from sticking to the surface of the warming plate.
- **Pause 'n Serve** – Can't wait for the coffee to finish brewing? The Pause 'n Serve feature allows you up to 30 seconds to pour a cup of coffee while the coffee is still brewing.
- **Programmable Controls** (Models ARX10, ARX11, ARX20 and ARX23 Only)
 - Clock: The LED clock serves as a handy kitchen clock, as well as allows you to set the timer.
 - Timer: Would you like to wake up to a fresh pot of coffee? The timer allows you to preset when you would like the coffeemaker to brew your coffee automatically, up to 24 hours in advance.
 - Two-Hour Auto Shut-Off: This safety feature keeps your coffee warm for 2 hours after you brew, then automatically turns off.
- **Removable Filter Basket** – The filter basket will lift out of socket to allow you to remove a filter and ground coffee before returning back to its socket.
- **Water Window** – The water window on the water reservoir allows you to quickly and accurately see exactly how much water you have added to the reservoir.

Coffeemaker Features

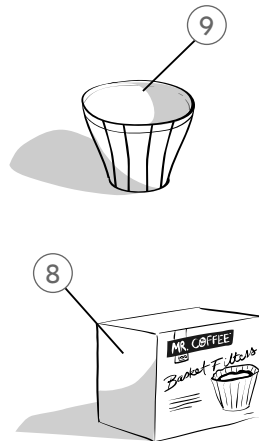
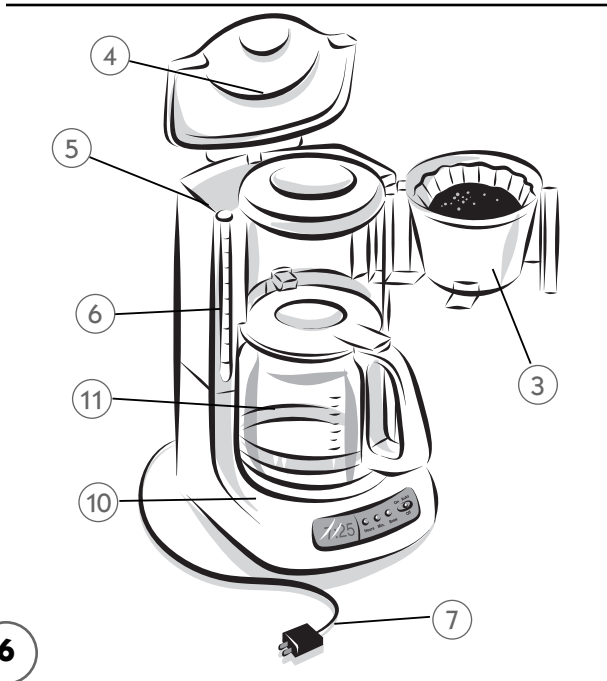


① **MODELS AR10, AR11, AR12 AND AR13**



② **MODELS ARX10, ARX11, ARX20 AND ARX23**

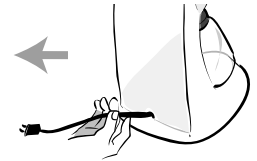
- | | | |
|---|---|---|
| <p>1. ON/OFF Switch
(Models AR10, AR11, AR12 and AR13 Only)</p> <p>2. Control Panel
(Models ARX10, ARX11, ARX20 and ARX23 only)</p> <p>a. Hour Button</p> <p>b. Minute Button</p> <p>c. Brew Button</p> <p>d. On-Off Indicator</p> <p>e. Auto Indicator</p> <p>f. PM Indicator</p> <p>g. Clock Display</p> | <p>3. Removable Brew Basket</p> <p>4. Brew Basket Lid</p> <p>5. Water Reservoir</p> <p>6. Water Window</p> <p>7. Power Cord</p> <p>8. MR. COFFEE® Brand 8-12 Cup Basket Style Coffee Filters
(not included)</p> | <p>9. MR. COFFEE® Brand Permanent Filter
(not included)</p> <p>10. Warming Plate</p> <p>11. Decanter</p> |
|---|---|---|



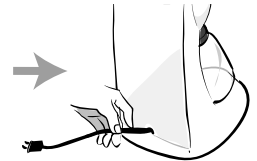
Adjusting the Power Cord Length

You can customize the length of the power cord so that it is the exact length you desire.

To increase the length of the power cord:
Grasp the power cord (not the power plug) and gently pull it away from the coffeemaker.



To decrease the length of the power cord:
Grasp the power cord and feed it into the coffeemaker.



Setting the Clock

(Models ARX10, ARX11, ARX20 and ARX23 only)

The clock flashes on the control panel to indicate that it has not been set.

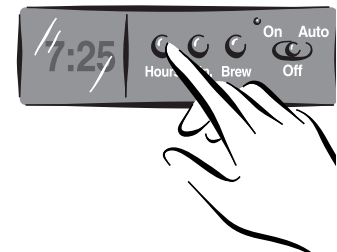


You must set the clock if you want to use the timer feature.

To set the clock:

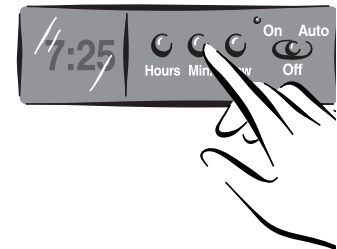
- 1) Press and hold the HOUR button until the clock displays the correct hour. See Figure A-1 (for Models ARX10, ARX11, ARX20 and ARX23).
The PM indicator will light to indicate a PM time; if the PM indicator is not lit, the time is AM.

FIGURE A-1



- 2) Press and hold the MIN. button until the clock displays the correct minute. See Figure B-1 (for Models ARX10, ARX11, ARX20 and ARX23).
The clock is now set.

FIGURE B-1



Brewing Coffee

Clean the Coffeemaker Before First Use

Follow the steps under "Adding Water and Ground Coffee" and "Brewing Coffee Now," (Pages 8 – 10) but do not add coffee grounds.

Selecting and Measuring Ground Coffee

For best results, use coffee ground for use with automatic drip coffeemakers. The amounts shown below are suggested amounts.

Number of Cups	Tablespoons
12	9
10	7.5
8	6
6	4.5
4	3
2	1.5
One cup = five ounces brewed coffee	

- two level tablespoons = one level scoop
- one cup = five ounces brewed coffee

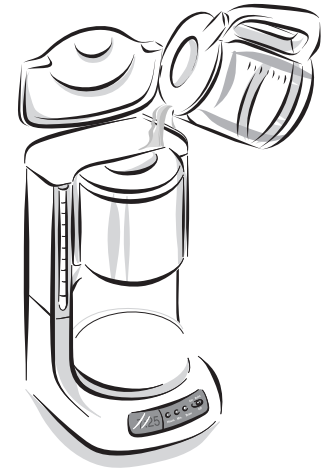


Adding Water and Ground Coffee

- 1) Swing open the brew basket and, if desired, lift out the removable filter basket.
- 2) Place a MR. COFFEE® brand 8-12 cup paper filter or a MR. COFFEE® permanent gold-tone filter in the filter basket.
- 3) Add the desired amount of ground coffee to the filter. Gently shake the filter basket to level the ground coffee.



- 4) Be certain that the filter is centered in the filter basket. Close the brew basket.



- 5) Fill the water reservoir with the desired amount of tap water.

Use the water window marks to measure the water, not the decanter marks. The decanter marks measure brewed coffee only.



- Place the decanter on the warming plate.



Make sure the decanter is accurately centered on the warming plate or the water and grounds will overflow from the brew basket. An overflow may cause personal injury or damage to property.

To reduce the risk of damaging the decanter and/or the risk of personal injury, do not add cold water to the decanter if the decanter is already hot. Allow the decanter to cool before using.

Do not brew coffee while the brew basket lid is open.

Brewing Coffee Now

For Models AR10, AR11, AR12 and AR13 only:

Push the switch to ON.

The ON/OFF switch will light, indicating that the coffeemaker is On and the brew cycle will begin. When the coffee stops flowing, the brew cycle is complete.



While the coffee is brewing, the Pause 'n Serve feature allows you to sneak a cup of coffee from the decanter. REPLACE THE DECANTER ON THE WARMING PLATE WITHIN 30 SECONDS TO PREVENT OVERFLOW AND POSSIBLE INJURY.

To turn Off the coffeemaker, press the ON/OFF switch to Off.



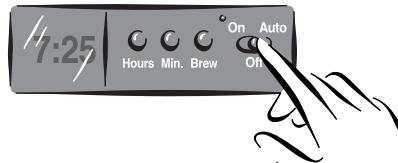
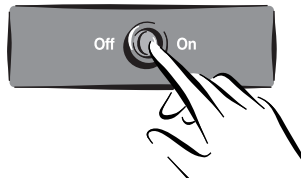
If the brew basket overflows or fails to empty into the decanter, do not open the brew basket. Unplug the coffeemaker and wait for the contents to cool before handling.

For Models ARX10, ARX11, ARX20 and ARX23 only:

Slide the switch to On. Press the brew button when ready to start brewing.

To turn the coffeemaker Off, slide the switch to Off.

Your Coffeemaker will keep your coffee hot for 2 hours, then automatically shut off.

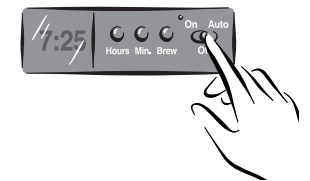
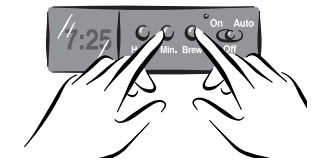
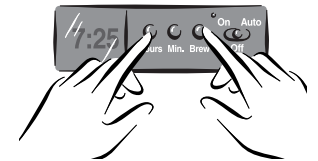
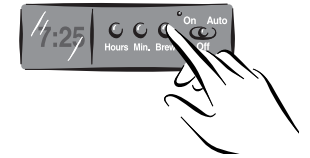


Brewing Coffee Later

For Models ARX10, ARX11, ARX20 and ARX23 only:

You must set the time for when you would like the coffeemaker to begin brewing your coffee.

- While the switch is in the Off position, press and hold the BREW button.
- While still pressing and holding the brew button, press and hold the HOUR button until the clock displays the hour you desire. The PM indicator will light to indicate a PM time; if the PM indicator is not lit, the time is AM.
- While still pressing and holding the brew button, press and hold the MIN. button until the clock displays the correct minute.
- Release the brew button.
- Push the switch to Auto.



If you want your coffee to brew at the same time the following day, simply add the desired amount of ground coffee, fill the water reservoir and slide the button to AUTO.

Cleaning the Coffeemaker Between Brew Cycles

To clean the used coffee grounds and filter:

- 1) Discard the grounds and paper filter and, if necessary, rinse the filter basket. You may also wash the filter basket in the dishwasher.
- 2) Rinse the decanter with warm water. You may also wash the decanter in the dishwasher (top rack dishwasher safe only).



Make sure the coffeemaker is turned Off when the decanter is empty.

Brewed coffee and grounds are both very hot. Handle them with care to avoid scalding injuries.

Unplug the coffeemaker's power cord if you are not using the coffeemaker or clock.

Maintaining Your Coffeemaker

Maintaining your coffeemaker and its parts will help extend the life of the appliance.

Cleaning the Coffeemaker

Your coffeemaker must be cleaned when you notice any of the follow conditions:

- excessive steaming
- increased brew cycle times
- the pumping action stops before all of the water has been pumped from the water reservoir

These conditions are caused by lime or other mineral deposits most commonly found in tap water.

How frequently you clean your coffeemaker depends upon the hardness of your tap water. The following table gives suggested cleaning intervals.

MR. COFFEE®
COFFEEMAKER CLEANER

Using MR. COFFEE® Cleaner

Please refer to MR. COFFEE® Cleaner box for instructions. Read caution statement on side panel of box before use.


Type of Water	Cleaning Frequency
Soft water	Every 80 brew cycles
Hard water	Every 40 brew cycles

To clean your coffeemaker:

- 1) Pour four cups of undiluted white household vinegar into the water reservoir.



- 2) Place a paper filter into the removable filter basket and close the brew basket lid.
- 3) Place the empty decanter on the warming plate.

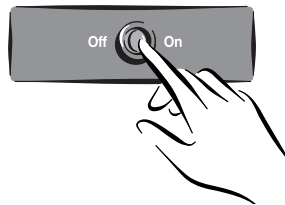
 **Make sure to accurately place the decanter on the warming plate to avoid the possibility of overflow.**

- 4) Start the brew cycle:

For Switch Models:

- AR10, AR11, AR12 and AR13

- a. Push the ON/OFF switch to ON to begin the brew cycle.



For Programmable Models:

- ARX10, ARX11, ARX20 and ARX23

- a. Turn the switch to On. Then, press the brew button to begin the brew cycle.



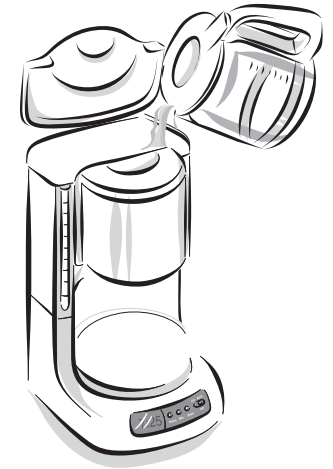
- b. When the water has flowed into the decanter, turn the coffeemaker Off and let the water stand for 30 minutes.

- c. Repeat Steps 1 – 4b.

- d. Discard both the vinegar and filter. Fill the decanter with tap water and pour it into the water reservoir.

- e. Place the decanter on the warming plate and begin the brew cycle.

- f. Discard the water in the decanter and turn the coffeemaker Off. If necessary, repeat steps d through f to flush all traces of vinegar from the coffeemaker.



Cleaning the Decanter

Hard water can leave a whitish stain on the decanter. Coffee and tea may then turn this stain brown.

To remove decanter stains:

- 1) Fill the decanter with a solution of equal parts tap water and vinegar and let the solution stand in the decanter for approximately 20 minutes.
- 2) Discard the solution and wash and rinse the decanter.



Do not use harsh abrasive cleansers that may scratch the decanter; scratches may cause the decanter to break.



TROUBLESHOOTING

POTENTIAL PROBLEMS	PROBABLE CAUSE
"ON" LIGHT DOES NOT ILLUMINATE	<ul style="list-style-type: none"> • Unplugged • Power outage
COFFEE IS NOT BREWING	<ul style="list-style-type: none"> • Unplugged • Power outage • The water reservoir is empty; check water window • The filter basket is not properly inserted • Carafe lid is not placed all the way on the warming plate
COFFEEMAKER ONLY BREWS WATER	<ul style="list-style-type: none"> • No grounds in filter basket
COFFEEMAKER BREWS SLOWLY	<ul style="list-style-type: none"> • Coffeemaker needs decalcifying
FILTER BASKET OVERFLOWS	<ul style="list-style-type: none"> • The filter basket is not properly inserted • Carafe is not placed all the way on the warming plate • Carafe lid not on carafe • Too many grounds placed in filter • Carafe was removed from warming plate longer than 30 seconds
BURNING COFFEE SMELL	<ul style="list-style-type: none"> • Empty carafe was left on hot warming plate • Coffee was spilled on a warming plate
COFFEE IS NOT HOT	<ul style="list-style-type: none"> • Power outage • The Automatic Shut-Off function has been activated
COFFEE TASTES BAD	<ul style="list-style-type: none"> • Coffee ground other than for automatic-drip Coffeemaker was used • Ground coffee-to-water ratio was unbalanced
GROUNDINGS ARE IN COFFEE	<ul style="list-style-type: none"> • Paper filter not properly seated in basket • Filter overflowed

Questions? You can call us toll-free at 1-800-672-6333.

Service and Maintenance

Replacement Parts

- **Filters**
For better tasting coffee and tea, we recommend that you use MR. COFFEE® brand 8-12 cup paper filters or MR. COFFEE® brand permanent filters. These filters are available at most grocery stores.
- **Decanters**
You can usually purchase a replacement decanter from the store where you purchased your coffeemaker. If you are unable to find a replacement, please call 1-800 MR COFFEE (1-800-672-6333) in the U.S. and Canada for information on where you can find a store that carries replacement decanters.

Repairs

If your coffeemaker requires service, do not return it to the store where you purchased it. All repairs must be made by Sunbeam or by an authorized MR. COFFEE® Service Center. If you live in the U.S. or Canada, please call us at the following toll-free telephone number to find the location of the nearest authorized service center:

1-800 MR COFFEE (1-800-672-6333)

To assist us in serving you, please have the model number (AR10, AR11, AR12, AR13, ARX10, ARX11, ARX20 or ARX23) and date of purchase information when you call.

Questions, Comments and Suggestions

We welcome your thoughts; please include your complete name, address and telephone number when you write or e-mail us at:

consumeraffairs@consumer.Sunbeam.com

You may also visit our website and discover the secret to brewing the perfect cup of coffee. You'll also find a rich blend of gourmet recipes, entertaining tips and the latest information on MR. COFFEE® products.

www.mrcoffee.com



One-Year Limited Warranty

Sunbeam Products, Inc. ("Sunbeam") warrants that for a period of one year from the date of purchase, this product will be free from defects in material and workmanship. Sunbeam, at its option, will repair or replace this product or any component of the product found to be defective during the warranty period. Replacement will be made with a new or remanufactured product or component. If the product is no longer available, replacement may be made with a similar product of equal or greater value. This is your exclusive warranty.

This warranty is valid for the original retail purchaser from the date of initial retail purchase and is not transferable. Keep the original sales receipt. Proof of purchase is required to obtain warranty performance. Sunbeam dealers, service centers, or retail stores selling Sunbeam products do not have the right to alter modify or in any way change the terms or conditions of this warranty.

This warranty does not cover normal wear of parts or damage resulting from any of the following: negligent use or misuse of the product, use on improper voltage or current, use contrary to the operating instructions, disassembly, repair or alteration by anyone other than Sunbeam or an authorized service center. Further, the warranty does not cover acts of God, such as fire, flood, hurricanes and tornadoes.

Sunbeam shall not be liable for any incidental or consequential damages caused by the breach of any express or implied warranty. Except to the extent prohibited by applicable law, any implied warranty of merchantability or fitness for a particular purpose is limited in duration to the duration of the above warranty. Some states, provinces or jurisdictions do not allow the exclusion or limitation of incidental or consequential damages or limitation on how long an implied warranty lasts, so the above limitations or exclusion may not apply to you. This warranty gives you specific legal rights, and you may also have other rights that vary from state to state or province to province.

How to Obtain Warranty Service

Take the product to an authorized Sunbeam service center. You may obtain a list of service centers and other repair/replacement instructions by calling 800 672-6333 or send an e-mail to Consumeraffairs@consumer.sunbeam.com. Please include name, address, telephone number, product model number and description of the problem.

For products purchased in the United States –

SUNBEAM SERVICE CENTER
c/o Warranty Center
117 Industrial Row
Purvis, MS 39475

DO NOT RETURN THIS PRODUCT TO THE PLACE OF PURCHASE

PRECAUCIONES IMPORTANTES

Cuando use algún aparato eléctrico siempre deben de seguirse precauciones básicas de seguridad incluyendo las siguientes para reducir el riesgo de incendio o descargas eléctricas, y /o daños a personas:

- **LEA TODAS LAS INSTRUCCIONES CUIDADOSAMENTE ANTES DE USAR LA CAFETERA.**
- No toque las superficies calientes de la cafetera.
- Para protegerse contra una descarga eléctrica, no sumerja el cordón, el enchufe o la cafetera en agua o en otros líquidos.
- Supervisión cercana es necesaria cuando el aparato es usado por o cerca de niños.
- Apague la cafetera y desconéctela de la toma de corriente cuando ésta o el reloj no estén en uso y antes de limpiarlos. Permita que se enfríe antes de poner o quitar partes y antes de limpiar el electrodoméstico.
- No opere ningún aparato con un cordón dañado o después de que el aparato ha funcionado inadecuadamente o ha sido dañado en cualquier manera. Regrese el aparato a un centro de servicio autorizado para su examinación, reparación o ajuste.
- El uso de accesorios o aditamentos que no sean de la marca MR. COFFEE® puede causar lesiones o daños.
- No se use en exteriores.
- No permita que el cordón cuelgue sobre la orilla de la mesa o del mostrador o toque superficies calientes.
- No coloque este aparato sobre o cerca de quemadores de estufas de gas o dentro de un horno caliente.
- Para desconectar, coloque el control en la posición de APAGADO/OFF, después remueva el enchufe de la toma de corriente.
- No use esta cafetera más que para lo que ha sido diseñada.
- Coloque la cafetera sobre una superficie dura y nivelada para evitar la interrupción del flujo de aire debajo del aparato.
- Esta cafetera es para uso doméstico únicamente.

Cuidado y Uso de la Jarra

Siga las siguientes instrucciones para reducir o eliminar el riesgo de romper la jarra:

- Esta jarra está diseñada para ser utilizada con su cafetera MR. COFFEE®, por lo tanto nunca debe ser usada sobre las hornillas de una estufa, horno ni tampoco en un horno microondas.
- No coloque la jarra de vidrio caliente en una superficie fría o mojada.
- No utilice una jarra quebrada o con un asa debilitada.
- No limpie la jarra con polvos limpiadores, fibras metálicas o de lana o cualquier otro material abrasivo.
- Deseche la jarra inmediatamente si sus contenidos se evaporan al hervir.
- Proteja la jarra de filos, raspaduras o un manejo brusco.

Advertencia: Para reducir el riesgo de incendio o descarga eléctrica, no quite ninguna cubierta para darle servicio al aparato. En el interior de la cafetera no se encuentra ninguna parte que pueda ser remplazada. Solamente el personal autorizado debe reparar la cafetera.



ESTA UNIDAD ES SÓLO PARA USO DOMÉSTICO

Instrucciones Especiales del Cordón Eléctrico

- 1) El aparato tiene un cordón eléctrico corto como medida de seguridad para prevenir el riesgo de tropezar, tirar o enredarse con un cordón más largo.
- 2) Puede usar cables de extensión si se observan las precauciones adecuadas.
- 3) Si se usan los cables de extensión la capacidad nominal eléctrica del cable de extensión debe ser de por lo menos 10 amperios y 12 voltios. Coloque el cordón de extensión de manera que no cuelgue sobre el borde del mostrador o mesa donde pueda tirarlo un niño o pueda tropezar con él accidentalmente.

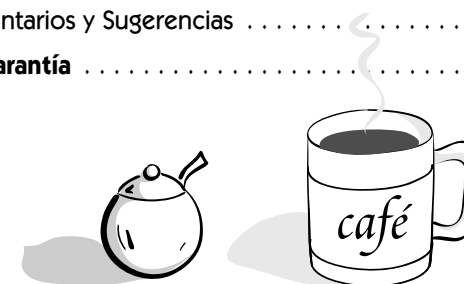
***Este aparato cuenta con una clavija polarizada (una pata es más ancha que la otra). Para reducir el riesgo de descarga eléctrica, esta clavija entra sólo de una manera en un enchufe polarizado. Si la clavija no encaja en el enchufe simplemente colóquela al revés. Si aún así no encaja llame a un electricista de su confianza. De ninguna manera intente modificar esta medida de seguridad.**



CONSERVE ESTAS INSTRUCCIONES

Índice

Precauciones Importantes	19
Cuidado y Uso de la Jarra	20
Instrucciones Especiales del Cordón Eléctrico	20
Preparando Su Cafetera	22
Características de Su Cafetera	22
Ajustando la Longitud del Cable Eléctrico	24
Ajustando el Reloj (Modelos ARX10, ARX11, ARX20 y ARX23 Únicamente).	24
Preparando Café	25
Limpieza de la Cafetera Antes de Usar por Primera Vez	25
Seleccionando y Midiendo el Café Molido	25
Añadiendo Agua y Café Molido	25
Preparando Café Ahora	27
Preparando Café Más Tarde (Modelos ARX10, ARX11, ARX20 y ARX23 Únicamente)	28
Limpieza de la Cafetera Entre Ciclos de Preparación	29
Mantenimiento para Su Cafetera	30
Limpieza de la Cafetera	30
Limpieza de la Jarra	32
Problemas y Soluciones	33
Servicio y Mantenimiento	34
Partes de Repuesto	34
Reparaciones	34
Preguntas, Comentarios y Sugerencias	34
Información de la Garantía	35



Preparando Su Cafetera

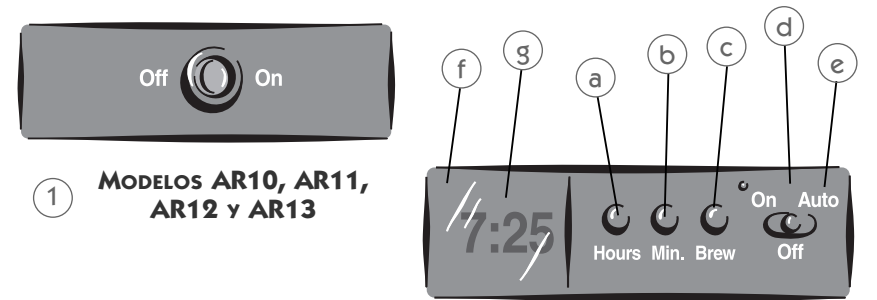
¡Felicitaciones por la compra de su nueva cafetera MR. COFFEE®! Por favor lea estas instrucciones cuidadosamente antes de usar su nueva cafetera. El uso, cuidado y mantenimiento adecuado asegurarán una operación sin problemas y una larga duración de este aparato. Guarde estas instrucciones para la información de limpieza y si es necesario para la información de partes de repuesto.

Características de Su Cafetera

Su nueva cafetera MR. COFFEE® tiene las siguientes características:

- **Almacenamiento del Cordón** – Le permite almacenar la longitud extra de cordón que no utilice para mantener limpio su mostrador o mesa.
- **Jarra Resistente a Goteos** – Diseñada para ayudar a prevenir goteos después de servir.
- **Mango de la Jarra Diseñado Ergonómicamente** – Proporciona comodidad, control y seguridad al servir el café.
- **Interruptor Iluminado de Encendido / Apagado ON/OFF** (Modelos AR10, AR11, AR12 and AR13 únicamente) – Esta función de seguridad le recuerda que su cafetera está encendida.
- **Plato Calefactor Antiadherente** – Esta característica previene que la jarra se adhiera a la superficie del plato calefactor.
- **Pause 'n Serve** – ¿No puede esperar más a que el café termine de prepararse? La función de pausa y sirva, Pause'n Serve le da hasta 30 segundos para servir una taza de café mientras que el café continua preparándose.
- **Controles Programables** (Modelos ARX10, ARX11, ARX20 y ARX23 únicamente)
 - Reloj: el reloj LED sirve como un útil reloj de cocina, así como también le permite programar el cronómetro.
 - Cronómetro: ¿Le gustaría despertar y tener una jarra de café fresco? El cronómetro le permite programar cuándo le gustaría que la cafetera inicie la preparación del café de una forma automática, hasta con 24 horas de anticipación.
 - Apagado automático en dos horas: esta medida de seguridad mantiene su café caliente durante dos horas después de que ha sido preparado, después automáticamente apaga la cafetera.
- **Canasta de Filtro Removible** – la canasta de filtro removible le permite levantar la canasta de la cavidad donde se coloca y sacar el filtro y el café molido antes de colocarla nuevamente en su lugar.
- **Ventana de Visibilidad** – la ventana de visibilidad en el tanque de agua le permite ver de una forma rápida y precisa cuanta agua contiene el tanque.

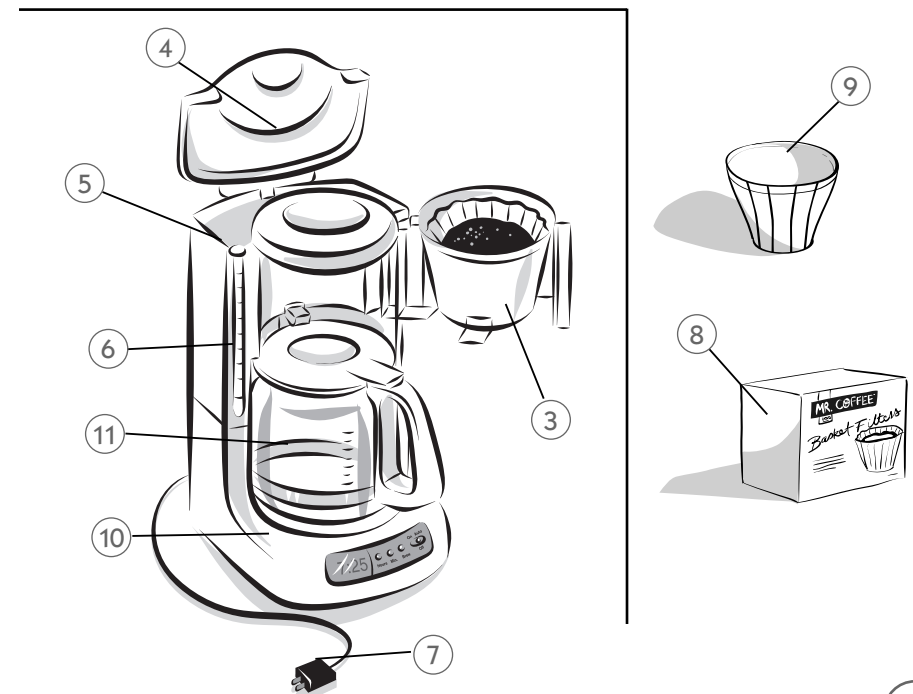
Características de Su Cafetera



① **MODELOS AR10, AR11, AR12 y AR13**

② **MODELOS ARX10, ARX11, ARX20 y ARX23**

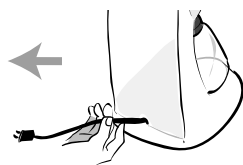
- | | | |
|---|--|---|
| <p>1. Interruptor de Encendido / Apagado ON/OFF (Modelos AR10, AR11, AR12 y AR13 únicamente)</p> <p>2. Panel de Control (Modelos ARX10, ARX11, ARX20 y ARX23 únicamente)</p> <p>a. Botón de Hora</p> <p>b. Botón de Minutos</p> <p>c. Indicador de Retraso de Preparación</p> <p>d. Indicador de Encendido-Apagado ON-OFF</p> | <p>e. Indicador de Automático</p> <p>f. Indicador PM</p> <p>g. Cronómetro</p> <p>3. Canasta de Filtro Removible de Preparación</p> <p>4. Tapa de Canasta de Preparación</p> <p>5. Tanque de Agua</p> <p>6. Ventana de Visibilidad</p> <p>7. Cordón Eléctrico</p> | <p>8. Filtros Marca MR. COFFEE® Estilo Canasta, para 8 – 12 Tazas (no incluidos)</p> <p>9. Filtro Permanente Marca MR. COFFEE® (no incluido)</p> <p>10. Plato Calefactor</p> <p>11. Jarra</p> |
|---|--|---|



Ajustando la Longitud del Cable Eléctrico

Usted puede ajustar la longitud del cable eléctrico de manera que tenga la longitud exacta que usted desea:

Para aumentar la longitud del cable eléctrico:
Tome el cable eléctrico (no el enchufe) y jale suavemente alejando de la cafetera.



Para reducir la longitud del cable eléctrico:
Tome el cable eléctrico y lentamente alimente el cable al interior de la cafetera.



Ajustando el Reloj

(Modelos ARX10, ARX11, ARX20 y ARX23 únicamente)

El reloj se ilumina intermitentemente en el panel de control para indicar que no ha sido ajustada la hora correcta.



Usted debe ajustar el reloj si quiere utilizar la función de cronómetro.

Para ajustar la hora correcta en el reloj:

- 1) Presione y detenga el botón de hora HOUR hasta que en la pantalla del reloj aparezca la hora correcta. Consulte la Figura A-1 (para Modelos ARX10, ARX11, ARX20 y ARX23).

El indicador PM se iluminará para indicar la hora PM si el indicador PM no se ilumina, entonces la hora es AM.

- 2) Presione y detenga el botón de minutos MIN. hasta que en la pantalla del reloj aparezcan los minutos correctos. Consulte la Figura B-1 (para Modelos ARX10, ARX11, ARX20 y ARX23). Ahora el reloj tiene la hora correcta.

FIGURA A-1

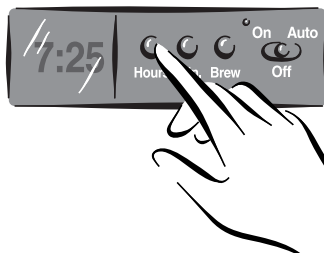
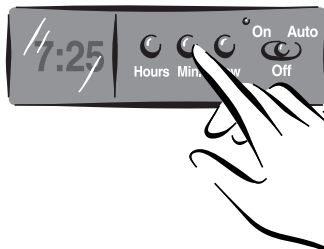


FIGURA B-1



Preparando Café

Limpieza de la cafetera antes de usar por primera vez

Siga los pasos indicados en la sección "Añadiendo Agua y Café Molido" y en "Preparando Café Ahora", (Páginas 25 – 27) pero no agregue los granos de café.

Seleccionando y midiendo el café molido

Para mejores resultados, use granos de café para cafeteras de goteo automático. Las cantidades que se muestran a continuación son cantidades sugeridas.

Número de Tazas	Cucharadas Soperas
12	9
10	7.5
8	6
6	4.5
4	3
2	1.5
Una taza = 5 onzas de café preparado	



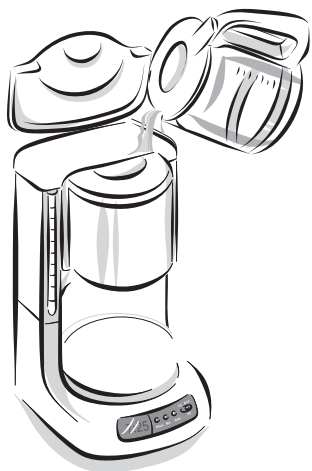
- 2 cucharadas a ras = 1 medida a ras
- 1 taza = 5 onzas de café preparado

Añadiendo Agua y Café Molido

- 1) Abra la tapa de la canasta de preparación y saque la canasta de filtro removible.
- 2) Coloque un filtro de papel de la marca MR. COFFEE® para preparar 8 – 12 tazas o bien un filtro permanente dorado de la marca MR. COFFEE®, dentro de la canasta para filtro removible.
- 3) Agregue la cantidad deseada de café molido al filtro. Suavemente agite el filtro para nivelar el café molido.



- 4) Asegúrese de que el filtro esté centrado en la canasta para filtro y después cierre la tapa de la canasta de preparación.



- 5) Llene el tanque de agua con la cantidad deseada de agua de grifo.



Use las marcas en la ventana de visibilidad para medir el agua, no las marcas de la jarra. Las marcas de la jarra miden la cantidad de café preparada únicamente.

- 6) Coloque la jarra sobre el plato calefactor.



Asegúrese de que la jarra esté correctamente colocada en el centro del plato calefactor o el agua y el café se desbordarán de la canasta de preparación. Un desbordamiento puede causar lesión personal o daños.

Para reducir el riesgo de dañar la jarra y/o el riesgo de lesión personal, no agregue agua fría a la jarra si ésta ya está caliente. Permita que la jarra se enfríe antes de utilizar.

No prepare café mientras la tapa de la canasta de preparación esté abierta.

Preparando Café Ahora

Para Modelos AR10, AR11, AR12 y AR13 únicamente:

Coloque el interruptor en la posición de encendido ON.

El interruptor de encendido / apagado ON / OFF se iluminará, indicando que la cafetera está encendida y que el ciclo de preparación iniciará. Cuando el café deje de fluir en la cafetera, el ciclo de preparación se ha completado.

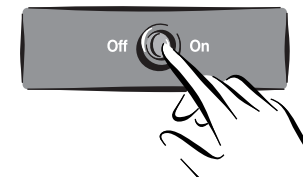


Mientras que el café está siendo preparado, la función de pausa y servir Pause n'Serve permite que puede servirse con la jarra una taza de café. COLOQUE LA JARRA SOBRE EL PLATO CALEFACTOR EN UN PERIODO MENOR A 30 SEGUNDOS PARA PREVENIR QUE EL CAFÉ SE DERRAME Y UNA POSIBLE LESIÓN.

Para apagar la cafetera, presione el interruptor de encendido / apagado ON / OFF.



Si la canasta de preparación derrama café o no vacía el café a la jarra, no abra la canasta de preparación. Desconecte la cafetera y espere a que los contenidos se enfríen antes de manejarlos.

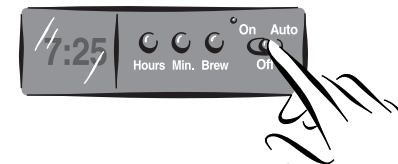


Para Modelos ARX10, ARX11, ARX20 Y ARX23 únicamente:

Deslice el interruptor a la posición de Encendido. Presione el botón de preparación cuando esté listo para comenzar a preparar café.

Para apagar la cafetera, deslice el interruptor a la posición Off.

Su cafetera mantendrá su café caliente por 2 horas y luego se apagará automáticamente.



Preparando Café Más Tarde

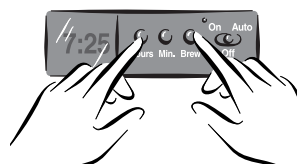
Para Modelos ARX10, ARX11, ARX20 and ARX23 únicamente:

Usted debe programar el tiempo en el que le gustaría que la cafetera inicie a preparar su café.

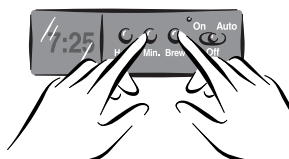
- 1) Mientras que el interruptor se encuentra en la posición Off, presione y detenga el botón para preparar café BREW.



- 2) Mientras sigue presionando el botón de preparación, presione y detenga el botón de hora HOUR hasta que la pantalla en el reloj muestre la hora que usted desea. El indicador PM se iluminará para indicar un tiempo PM, si el indicador PM no se ilumina, el tiempo es AM.



- 3) Mientras aun presiona y detiene el botón de preparación, presione y detenga el botón de minutos MIN. hasta que la pantalla en el reloj muestre los minutos correctos.



- 4) Deje de presionar el botón de preparación.

- 5) Presione el interruptor Auto.

El indicador de retrasar la preparación Delay Brew, se iluminará. El cronómetro de retraso está programado y la cafetera comenzará la preparación de café a la hora que usted seleccionó.



Si usted desea que su cafetera prepare café a la misma hora al día siguiente, simplemente añada la cantidad deseada de café molido, llene el tanque con agua y deslice el botón a la posición automática AUTO.

Limpieza de la Cafetera Entre Ciclos de Preparación

Para limpiar los granos de café utilizados y el filtro:

- 1) Deseche los granos y el filtro de papel que utilizó, y si es necesario, enjuague la canasta del filtro. Usted puede también lavar la canasta del filtro en la lavadora de platos.
- 2) Enjuague la jarra con agua tibia. Usted puede también lavar la jarra en la lavadora de platos (solamente en la rejilla superior de la lavadora de platos para lavarla de una forma segura).



Asegúrese de que la cafetera esté apagada cuando la jarra esté vacía.

El café preparado y los granos de café están muy calientes. Manéjelos con cuidado para evitar lesiones y quemaduras.

Desconecte el cable eléctrico de la cafetera si no la va a usar o si no va a usar el reloj.

Mantenimiento para Su Cafetera

El mantenimiento para la cafetera y las partes de ésta le ayudarán a extender la vida del aparato.

Limpieza de la Cafetera

Su cafetera debe limpiarse cuando note cualquiera de las siguientes condiciones:

- vapor excesivo
- aumento en los tiempos de preparación de café
- la acción de bombeo se detiene antes de que el agua haya sido completamente bombeada del tanque de agua

Estas condiciones son causadas por los depósitos minerales que comúnmente se encuentran en el agua de grifo.

La frecuencia con la que debe limpiar su cafetera depende de la dureza del agua de grifo. La siguiente tabla le ofrece sugerencias de los intervalos de limpieza.



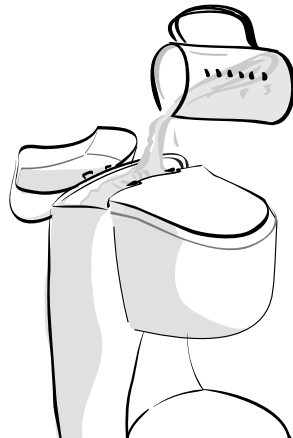
Utilizando el Limpiador MR. COFFEE®

Por favor consulte las instrucciones en el empaque del limpiador MR. COFFEE®. Lea la nota de seguridad en el panel lateral del empaque antes de utilizarlo.

Tipos de Agua	Frecuencia de Limpieza
Agua Suave	Cada 80 Ciclos de Preparación
Agua dura	Cada 40 Ciclos de Preparación

Para limpiar su cafetera:

- 1) Vierta cuatro tazas de vinagre blanco sin diluir en el tanque de agua.



- 2) Coloque un filtro de papel en la canasta del filtro removible y cierre la tapa de la canasta de preparación.

- 3) Coloque la jarra vacía sobre el plato calefactor.



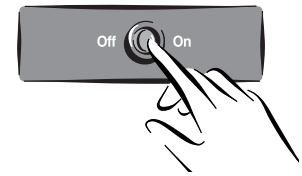
Asegúrese de que coloque correctamente la jarra sobre el plato calefactor, para evitar la posibilidad de derramamientos.

- 4) Inicie el ciclo de preparación:

Para Modelos de Interruptor:

- AR10, AR11, AR12 y AR13

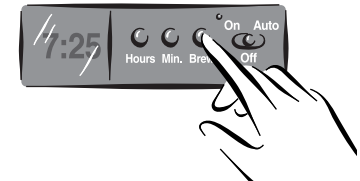
- a. Coloque el interruptor de encendido / apagado ON/OFF en la posición de encendido ON para encender la cafetera.



Para Modelos Programables:

- ARX10, ARX11, ARX20 y ARX23

- a. Presione el interruptor en encendido On. Después, presione el botón de preparación para encender la cafetera.



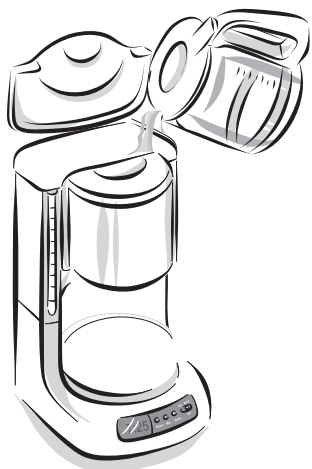
- b. Cuando el agua hayan fluido hacia la jarra, apague la cafetera y deje que el agua repose durante 30 minutos.

- c. Repita los Pasos 1 a 4b.

d. Deseche el agua (y la mezcla de vinagre). Llene la jarra con agua de grifo y vierta en el tanque de agua.

e. Coloque la jarra sobre el plato calefactor y encienda la cafetera y permita que el ciclo se complete.

f. Deseche el agua en la jarra y encienda apague la cafetera. Repita los pasos del d al f para enjuagar todos los residuos de vinagre de la cafetera.



Limpieza de la Jarra

El agua dura puede dejar manchas blancas en la jarra. El café y el te puede tornar estas manchas color café.

Para remover las manchas de la jarra:

- 1) Llene la jarra con una solución de partes iguales de agua y vinagre blanco y deje que la solución repose en la jarra durante aproximadamente 20 minutos.
- 2) Deseche la solución, lave y enjuague la jarra.



No use limpiadores abrasivos que puedan dejar marcas en la jarra; las marcas pueden propiciar que la jarra se rompa.

PROBLEMAS Y SOLUCIONES

PROBLEMAS POTENCIALES

CAUSAS PROBABLES

LA LUZ DE ENCENDIDO "ON" NO SE ILUMINA

- Está desconectada
- Interrupción de la energía eléctrica

NO PREPARA CAFÉ

- Está desconectada
- Interrupción de la energía eléctrica
- No hay agua en el tanque, revise la ventana de visibilidad
- La canasta del filtro no está correctamente insertada
- La tapa de la jarra no está totalmente colocada sobre el plato calefactor

LA CAFETERA PREPARA AGUA SOLAMENTE

- No hay granos de café en la canasta del filtro

LA CAFETERA PREPARA CAFÉ MUY LENTAMENTE

- La cafetera requiere descalcificación

LA CANASTA DEL FILTRO SE DESBORDA

- La canasta del filtro no está correctamente insertada
- La jarra no está totalmente colocada sobre el plato calefactor
- La tapa de la jarra no está colocada sobre la jarra
- Hay demasiados granos de café en el filtro
- La jarra fue removida del plato calefactor por más de 30 segundos

OLOR A CAFÉ QUEMADO

- Se dejó la jarra vacía sobre el plato calefactor caliente
- Se derramó café sobre el plato calefactor

EL CAFÉ NO ESTÁ CALIENTE

- Interrupción de la energía eléctrica
- Fue activada la función de apagado automático en 1 hora

EL CAFÉ NO TIENE BUEN SABOR

- Se utilizó un tipo de café molido que no se recomienda para cafeteras de goteo automático
- La proporción de agua/café no fue balanceada

HAY GRANOS DE CAFÉ EN LA BEBIDA

- El filtro de papel no fue correctamente colocado en la canasta
- Se derramó el filtro

PREGUNTAS? Usted llamar a 1-800-672-6333.

Servicio y Mantenimiento

Partes de Repuesto

- **Filters**
Para un café o te con mejor sabor, recomendamos que utilice los filtros de papel para preparar de 8 a 12 tazas, marca MR. COFFEE® o los filtros permanentes marca MR. COFFEE®. Estos filtros están disponibles en casi todos los supermercados.
- **Jarras**
Usted puede generalmente comprar una jarra de repuesto de la tienda donde compró su cafetera. Si usted no puede encontrar un repuesto, por favor llame a 1-800 MR COFFEE (1-800-672-6333) dentro de los Estados Unidos y Canadá para obtener información acerca de dónde puede encontrar una tienda que venda las jarras de repuesto.

Reparaciones

Si su cafetera requiere servicio, no la envíe al lugar donde la compró. Todas las reparaciones deben ser hechas por Sunbeam o por un Centro de Servicio MR. COFFEE®. Si usted vive en los Estados Unidos o en Canadá, por favor llámenos al siguiente número sin cargo para encontrar el lugar del centro de servicio autorizado más cercano:

1-800 MR COFFEE (1-800-672-6333)

Para ofrecerle un mejor servicio cuando llame, por favor tenga a la mano la información del número de modelo (AR10, AR11, AR12, AR13, ARX10, ARX11, ARX20 o ARX23) y la fecha de compra.

Preguntas, Comentarios y Sugerencias

Agradecemos sus comentarios, por favor incluya su nombre completo, dirección y número telefónico cuando nos escriba o nos envíe un correo electrónico a:

consumeraffairs@consumer.Sunbeam.com

Usted puede visitar nuestro website y descubrir el secreto a elaborar la taza perfecta de café. Usted también encontrará recetas gastronómicas y de la última información de nuestros productos de MR. COFFEE®

www.mrcoffee.com



Garantía Limitada de 1 Año

Sunbeam Products Inc. ("Sunbeam") garantiza que, por un período de un año a partir de la fecha de compra, este producto estará libre de defectos en el material y en la mano de obra. Sunbeam a su criterio, reparará o reemplazará este producto o cualquiera de los componentes del mismo que estén defectuosos durante el período de garantía. El reemplazo será hecho con un producto o componente nuevo o reconstruido. Si el producto ya no se encuentra disponible, se reemplazará con un producto similar de igual o mayor valor. Esta es su garantía exclusiva.

Esta garantía es válida para el comprador original a partir de la fecha inicial de compra y no es transferible. Conserve el recibo original de compra. La prueba de compra es requerida para obtener la garantía. Los vendedores, centros de servicio de Sunbeam o tiendas donde se vendan productos Sunbeam, no tienen el derecho de alterar, modificar o cambiar de ninguna otra forma los términos o condiciones de esta garantía.

Esta garantía no cubre el desgaste por el uso normal de las partes o daños que resulten de cualquiera de lo siguiente: negligencia o uso incorrecto del producto, uso bajo un voltaje o corrientes inadecuados, uso contrario a las instrucciones de operación, desensamble, reparaciones o alteraciones hechas por una persona que no pertenezca a Sunbeam o a un centro de servicio autorizado. Mas aún, la garantía no cubre factores imprevisibles tales como incendios, inundaciones, huracanes y tornados.

Sunbeam no será responsable de ningún daño incidental o consecuente causado por el incumplimiento de cualquier garantía expresa o implícita. Excepto al alcance prohibido por la ley que aplique, cualquier garantía implícita de comercialización o ajustes para un propósito en particular, está limitada en duración al periodo de la garantía que arriba se indica. En algunos estados, provincias o jurisdicciones, no se permite la exclusión o limitación de daños incidentales o consecuentes o limitaciones en la duración de una garantía implícita, así que las limitaciones o exclusiones que se indican anteriormente pueden no ser aplicables a usted. Esta garantía le da a usted derechos legales específicos y usted puede también tener otros derechos que varían de estado a estado y de provincia a provincia.

Cómo Obtener el Servicio de la Garantía

Lleve el producto a un centro de Servicio Autorizado Sunbeam. Usted puede obtener una lista de los centros de servicio e instrucciones acerca de la reparación o reemplazo del producto llamando al 800 672-6333 o envíe un e-mail o correo electrónico a: **Consumeraffairs@consumer.sunbeam.com**. Por favor incluya su nombre, dirección, número telefónico, número de modelo del producto y descripción del problema.

Para productos comprado en los Estados Unidos –

SUNBEAM SERVICE CENTER

c/o Warranty Center

117 Industrial Row

Purvis, MS 39475

NO ENVÍE ESTE PRODUCTO AL LUGAR DONDE FUE ADQUIRIDO